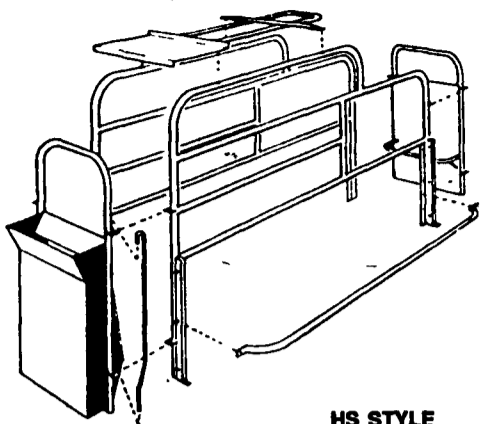


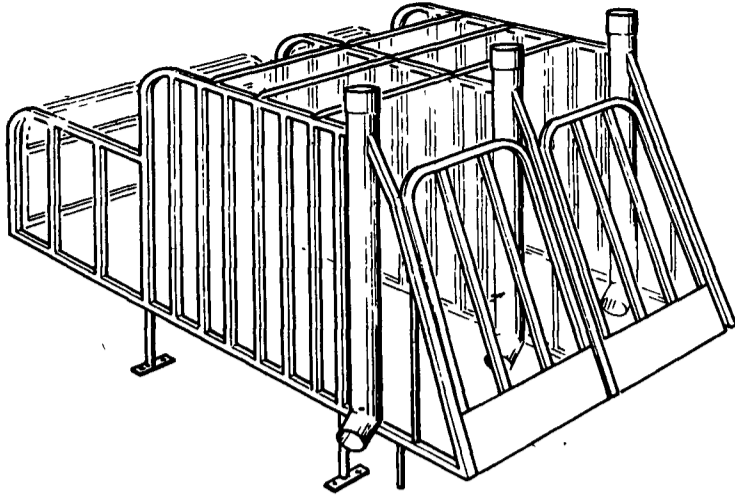
# GESTATION STALLS & FARROWING CRATES



**HS STYLE FARROWING CRATE**

**FEATURES**

- Heavy tubing or solid rod construction
- Hot dip galvanized finish
- Doors with hinge pins open both ways
- Back up bar moves out of way with back door
- Full front feeder door
- Draft barrier brackets installed
- Optional creep feeders
- Selection of raised decks
- Available in 6'6" or 7' lengths and 18"-20"-22"-24" widths

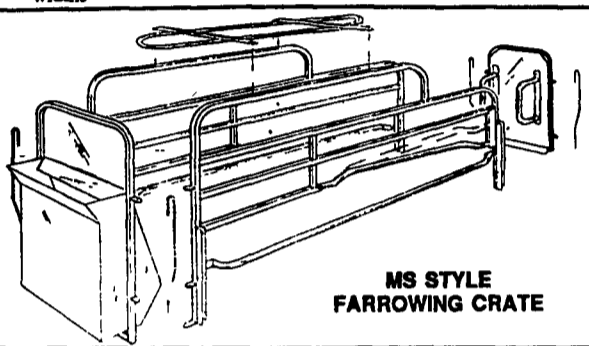


**Features:**

- 1" solid rod leg
- 1/2" flat steel foot
- .100" steel tubing or 15/16" solid rod
- Optional built-in drop tubes for automatic feeding
- 36" or 41" overall height
- 78" or 84" overall length
- 18", 20" or 24" widths
- Front and back doors open both ways
- Available in hot dipped galvanized
- Gate assembly from rear or side available on gestation stall to eliminate posts for boar pen installations.
- Stainless steel trough available to fit stalls

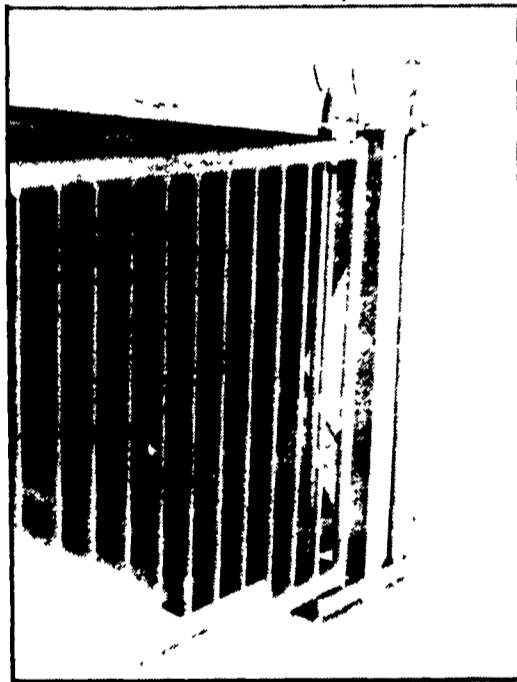
**New Features**

- Sow actioning "Pig Saver Bar"
- Reduces to 18" ID area
- Crate 23" ID
- Heavy 1 1/4" Construction
- Adjustable roll bar 30" ID
- Double vertical back-up bars



**MS STYLE FARROWING CRATE**

# PENNING & DRY FEEDERS



**FEATURES**

- Full range of sizes available
- Heavy duty 1-5/16" round tubing frame
- Top quality welding
- Fast and easy access with gate pins
- Compatible with BCB stainless steel feeders
- Available black, painted or galvanized.

BCB Equipment has a full line of heavy duty Penning for pre-nursery to grower and finishing stages. Except for the pre-nursery model, all styles are constructed using 1-5/16"x.100 tubing top and bottom, securely welded to insure confinement while access to the pens is quick and easy by just removing a gate pin. All Penning is compatible with BCB stainless steel feeders and is available black, painted or galvanized.

**FEATURES**

- Stainless steel construction
- Safety-rolled edges
- Deep trough design
- 2" feed saving lip
- Sloped floor for full feed distribution
- Adjustable feed gate
- Optional crank control



- Anti-slip rubber feet
- Nursery and finishing styles
- 30 models to choose from

**HEWLEY EQUIPMENT COMPANY, INC.**  
 Designers of Quality Systems for Poultry, Swine and Grain Handling

SYCAMORE IND. PARK  
 255 PLANE TREE DRIVE  
 LANCASTER, PA 17603  
 (717) 393-5807

Route 30 West  
 at the Centerville Exit.



**Frederick Livestock Auction**

Frederick, Md.  
 Monday, May 29, 1989  
 Report Supplied by Auction  
 BUTCHER COWS: HIGH YIELD 51.00-53.00; STANDARD AND UTILITY 47.00-51.00; CANNERS 44.00-48.00; SHELLY 44.00 DOWN.  
 BULLS: YG#1 59.25; LIGHTWEIGHT 57.00-58.00.  
 BUTCHER HOGS: US#1 AND 3 215-250 LBS. 45.50-46.75; US#2 AND 3 240-260 LBS. TO 44.75.  
 SOWS: 300-600 LBS. 31.00-33.75.  
 VEAL CALVES: CHOICE (1) AT 160 LBS. AT 102.00; CULLS 85-115 LBS. 95.00-105.00; 50-80 LBS. 88.00-100.00.  
 CALVES RETURNING TO FARM: BEEF X 70-110 LBS. 110.00-132.00; HOLSTEIN HEIFERS 90-120 LBS. TO 127.00; HOLSTEIN BULLS 80-90 LBS. 110.00-160.00; 90-120 LBS. 150.00-185.00.  
 LAMBS: 1 CHOICE 50 LBS. AT 74.00. SHEEP: 20.00-30.00.  
 STOCK CATTLE: STEERS 500-700 LBS. 77.00-88.00; 700-850 LBS. 66.00-71.50; 900 LBS. 65.00.  
 HEIFERS: 500-800 LBS. 58.00-62.50; BULLS 500 LBS. TO 69.50; DAIRY COWS 1 FRESH AT 875.00.  
 PIGS AND SHOATS: BY THE HEAD, 25-45 LBS. 16.00-33.00.

**Four States Livestock**

Hagerstown, Md.  
 Wed., May 31, 1989  
 Report supplied by Auction  
 SLAUGHTER: FED STEERS HIGH CHOICE TO PRIME 75.00-78.00; CHOICE 71.00-75.00; SELECT 63.00-70.00; STANDARD HOLSTEINS 55.00-62.00.  
 FED HEIFERS: SELECT 61.00-66.75.  
 COWS: HIGH YIELD 52.00-55.75; UTILITY 47.00-52.00; CANNER CUTTER 44.00-49.00; SHELLY 44.00 DOWN.  
 BULLS: YG#2 54.00-58.00  
 VEAL CALVES: 150-300 LBS. CHOICE 101.00-111.00; GOOD 90.00-100.00; STANDARD 80.00-90.00; CULLS 85-110 LBS. 90.00-101.00; 60-80 LBS. 82.00-95.00; RETURN TO FARM CALVES, HOLSTEIN BULLS 85-120 LBS. 150.00-185.00; SMALL FRAME 120.00-150.00; HOLSTEIN HEIFERS 110.00-132.00; BEEF X BULLS 105.00-132.00.  
 LAMBS: HIGH CHOICE TO PRIME 80-115 LBS. 62.00-67.00; GOOD TO CHOICE 60-80 LBS. TO 70.00; 30-60 LBS. 60.00-94.00.  
 GOATS: MEDIUM TO 48.00; FLESHY KIDS TO 31.00.  
 STOCKER STEERS: 300-500 LBS. 80.00-91.00; 400-600 LBS. FEW TO 82.00; 750-1000 LBS. 65.00-74.00; HOLSTEIN AND HOLSTEIN X STEERS 300-600 LBS. 70.00-78.00.  
 HEIFERS: 300-400 LBS. 74.00-81.00, 400-600 LBS. 70.00-86.00; 600-800 LBS 62.00-74.00.  
 BULLS: 300-400 LBS 73.00-88.00; 600-800 LBS. FEW TO 63.50; 800-1000 LBS. 53.00-60.00.  
 DAIRY REPLACEMENTS: SPRINGING HEIFERS LARGE TO 985.00; FRESH COWS TO 750.00; SERVICE BULLS BY THE POUND, 2 HOLSTEINS 1000 LBS. TO 55.50.

**THOMAS TRUCKING, INC.**

2416 Willow Street Pike  
 Lancaster, PA 17602  
 (717) 464-9633

- Loader and back hoe service
- Skid loader with back hoe
- Back hoe with four-wheel drive
- Metered concrete
- Dump truck service
- Premium top soil — regular or screened and shredded
- Double ground mulch
- Stone and sand
- Decorative stone and pebbles

Evening and Saturday delivery available

Thank You For Reading Our Ad