

**Garstlyn Holsteins
Top February DHIA**

Garstlyn Holsteins (Brad Garst) of New Windsor, Maryland, had the herd with the highest average for the month of February, according to figures just released by the Carroll-Baltimore Dairy Herd Improvement Association.

During the month of February, 116 dairymen in Carroll-Baltimore counties participated in this program. Listed below are the top ten herds based on their herd averages over the past year.

	No. Cows	Milk	Fat
1st- Garstlyn Holsteins (Brad Garst)	47	22,973	858
2nd- Unicorn Associates (Cam Davis & Tom Powel)	125	20,780	759

3rd- Windsor Manor Farm (Jason and Donna Myers)	64	19,607	734
4th Rose Croft, Ltd. (Gary Derr)	61	19,666	725
5th Marlin Hoff	384	20,665	722
6th Edrich Farm	149	19,935	720
7th Del-Myr Farm (Jeff Myers)	64	19,237	714
8th Maple Lawn Farm (Iager and Son)	168	19,073	712
9th D. Richard Flickinger	74	18,279	709
10th Dwayne Bell	24	16,528	708

**CARROLL CO. DHIA
March 1989**

Garstlyn Holsteins (Brad Garst) of New Windsor, Maryland, had the herd with the highest average for the month

of March, according to figures just released by the Carroll-Baltimore Dairy Herd Improvement Association.

DHIA is a milk testing and record system used by the modern dairyman to help him to manage his business more efficiently. These records are also used in improving sires for artificial breeding and are used in research conducted by the USDA and the University of Maryland.

During the month of March, 117 dairymen in Carroll-Baltimore counties participated in this program. Listed below are the top ten herds based on their herd averages over the past year.

1st - Garstlyn Holsteins (Brad Garst) - No. Cows - 49, Milk - 22267, Fat - 831; 2nd - Unicorn Associates (Cam Davis & Tom Powel) - No. Cows - 132, Milk - 21052, Fat - 768; 3rd - Windsor Manor Farm (Donna and Jason Myers) - No. Cows - 66, Milk - 19649, Fat - 736; 4th-Derwyn Holsteins - No. Cows - 62, Milk - 19726, Fat - 728; 5th - Marlin Hoff - No. Cows - 384, Milk - 20666, Fat - 721; 6th - Edrich Farm - No. Cows - 149, Milk - 19935, Fat - 720; 7th - Del-Myr Farm (Jeff Myers) - No. Cows - 68, Milk - 19361, Fat - 719; 8th - Maple Lawn Farm (C.E. Iager and Son) - No. Cows - 168, Milk - 19073, Fat - 712; 9th - D. Richard Flickinger - No. Cows 76, Milk - 18293, Fat - 710; 10th - Dwayne Bell - No. Cows - 24, Milk - 16599, Fat - 709.

**Kent County
March, 1989**

Herd Name	Cows In Herd	Annual Avg. %Fat	Milk Avg. FCM
Terra View Farm	18	3.69	80.5
John Z Stoltzfus	72	3.54	75.4
R&E Brink	67	3.69	73.3
Roy W Crow	71	3.69	71.1
Gen Farm I	581	3.87	68.6
Chandale Farm	71	3.93	66.6
Hills Dairy Partnership	135	3.62	66.4
Howard McHenry	184	3.78	64.9
All Reed Farm	69	3.72	63.4
Michael H Philipp	68	3.56	62.0

FISHER'S PAINTING & RESTORATION



- ALL TYPES OF INTERIOR & EXTERIOR PAINTING
- SANDBLASTING
- ROOF COATING
- RESTORATION & WATERPROOFING ON STONE & BRICK BUILDINGS

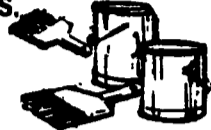
We Specialize In Farm Buildings, Churches, Feed Mills, Water Tanks, Etc. With Aerial Equipment

FREE DELIVERY WITHIN 20 MILES
STORE, SHOP AND OFFICE LOCATED IN OLD STONE BARN AT:
4056 A Newport Road, Kinzers, PA 17535

(Across From Pequea Valley School) **717-768-3239**

FISHER'S PAINTING OUTLET STORE

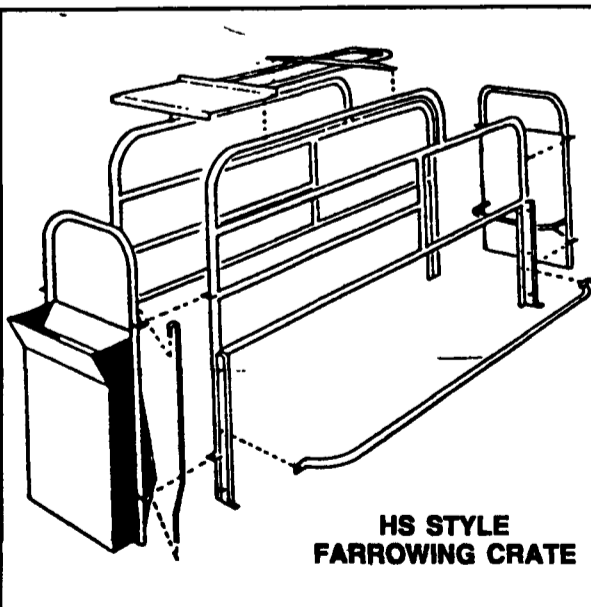
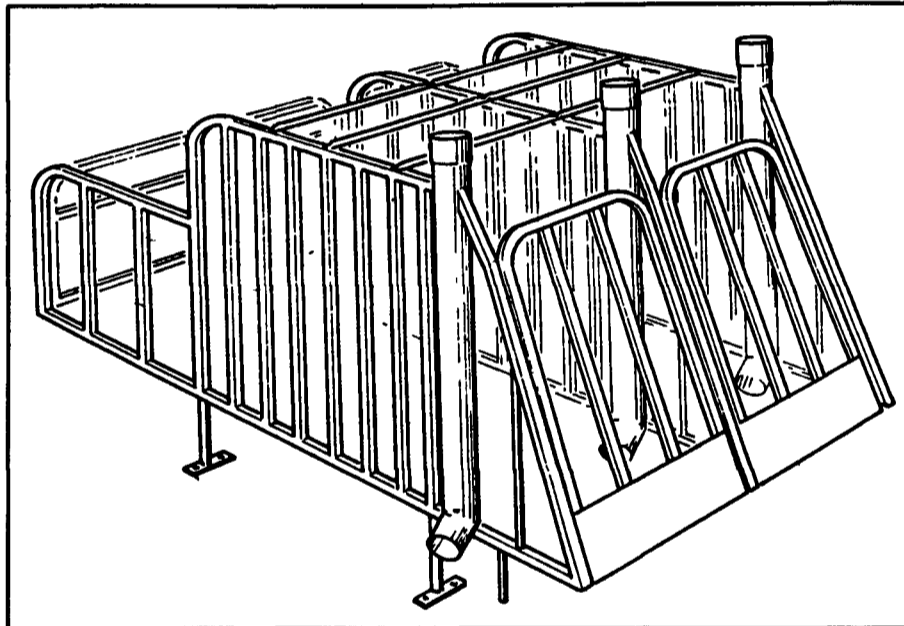
- TOP QUALITY PAINTS, LADDERS & ACCESSORIES AT LOW PRICES
- WE BUY DIRECT FROM FACTORY IN LARGE QUANTITIES & PASS THE SAVINGS ON TO YOU
- ROOF COATINGS IN VARIOUS COLORS
- WE HAVE LARGE LOTS OF FACTORY DISCONTINUED COLORS, MISMATCHES AND JOB LEFTOVERS AT VERY LOW PRICES



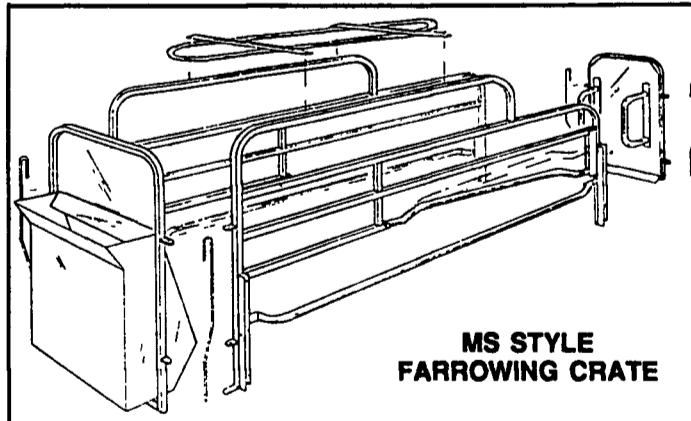
GESTATION STALLS & FARROWING CRATES

Features:

- 1" solid rod leg
- 1/2" flat steel foot
- .100" steel tubing or 15/16" solid rod
- Optional built-in drop tubes for automatic feeding
- 36" or 41" overall height
- 78" or 84" overall length
- 18", 20" or 24" widths
- Front and back doors open both ways
- Available in hot dipped galvanized
- Gate assembly from rear or side available on gestation stall to eliminate posts for boar pen installations.
- Stainless steel trough available to fit stalls



HS STYLE FARROWING CRATE



MS STYLE FARROWING CRATE

New Features

- Sow actioning "Pig Saver Bar"
- Adjustable roll bar 30" ID
- Reduces to 18" ID area
- Double vertical back-up bars
- Crate 23" ID
- Heavy 1 1/4" Construction

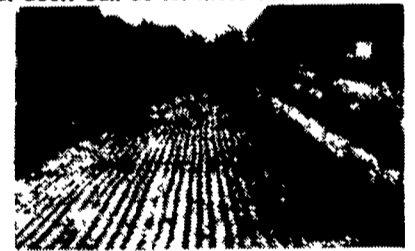
FEATURES

- Heavy tubing or solid rod construction
- Hot dip galvanized finish
- Doors with hinge pins open both ways
- Back up bar moves out of way with back door
- Full front feeder door
- Draft barrier brackets installed
- Optional creep feeders
- Selection of raised decks
- Available in 6'6" or 7' lengths and 18"-20"-22"-24" widths

SLICK CONCRETE CAN BE ROUGHENED

SCABBLING is an effective way to avoid unnecessary losses of cattle. The SCABBLER makes bands about two inches wide approximately 1/8" to 3/16 in. depth. This gives sufficient area for good footing while allowing you to scrape the smooth surface as before. It is near enough to the surface to give your cows full advantage of the roughness and deep enough to remain effective for years. It greatly aids in heat detection.

And the good news is that it is reasonably priced. You have the choice of doing it yourself or having us do it for you. We offer service right to your door. Call us for more details.



SUBURBAN RENTALS, INC.

Call 800-692-0123

We go almost anywhere

AGRI CHEMICALS

Full Line Of Spray Materials For Corn, Soybeans and Alfalfa

Atrazine	Furadan
Banvel	Gramoxone
Bicep	Lasso
Bladex	Lasso-Atrazine
Bullet	Lorox
Counter	Lorsban
Dual	Pounce
Dyfonate II	Prowl
Eradicane	Roundup
Extrazine	Squadron

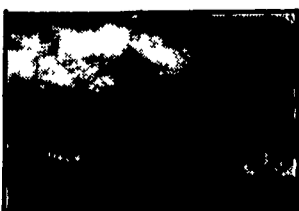
Plus Many More
Some Available In Bulk
At Less Cost

Drive A Little And SAVE!

JAMES H. PATCHES

RD 2, Prescott Rd., Myerstown, PA 17067
1 1/4 Mi. Northwest of Schaefferstown

(717) 949-3860



H. H. EQUIPMENT COMPANY, INC.

Designers of Quality Systems for Poultry, Swine and Grain Handling

SYCAMORE IND. PARK
255 PLANE TREE DRIVE

LANCASTER, PA 17603
(717) 393-5807

Route 30 West
at the
Centerville Exit.