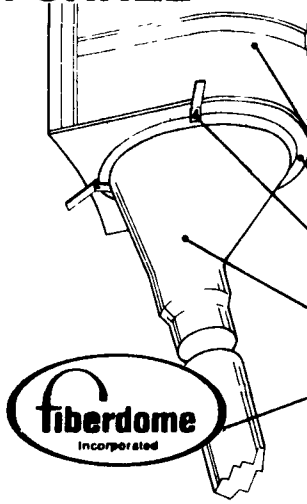


- \* Dismantle, Move and Re-Erect Pre-owned Harvestore® Structures
- Pre-owned Harvestore® Units In Stock
- \* Brand New, Complete Rebuilt Kits For Structures
- \* Totally Rebuilt Goliath® and Hercules® Unloaders
- \* All Types, Sizes and Models Of Used A.O. Smith Unloaders In Stock
- \* Used Unloader Parts
- \* Leasing and Trade-Ins Accepted



2169 Main Street  
Rothsville, PA 17543  
(717) 626-0036

### FIBERGLASS FUNNEL



Adjustable, low cost, labor saving directional funnel stops feed waste and adapts to all conventional silos.

Cement steel or fiberglass silo chute  
Base connector flange makes access to chute quick and easy  
Easy operating lock handles hold funnel secure while allowing 360° rotation  
Funnel available in 20° and 40° angles with choice of 12" or 9" discharge  
Ordinary filler pipe

**Fiberdome**  
Incorporated

**Lancaster Silo**  
2008 Horseshoe Road  
Lancaster, Pa. 17601  
(717) 299-3721

### ATTENTION FARMERS!!! WHY SHOULD I BE BAGGING MY SILAGE?

For the answer to this and more, call: Howard Cox (301) 658-6319  
**POLY SILO** has a full line of Compacting Machines - 7, 8, 9, and 10 ft models and a full array of Silage Bags. For Quality and Service, and the "Best Price in Town", give us a call.

Eliminate those

# DIRTY BIRDS

with RID-A-BIRD perches the proven and guaranteed method of pest bird control.

Call or write today. We'll tell you how.

**Rid-A-Bird, Inc.**  
Hess Agri Marketing  
218 Rock Point Rd.  
Marietta, PA 17547  
717-426-3135

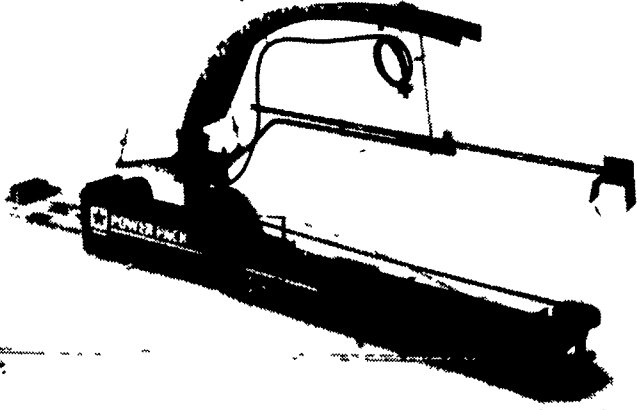
### S & S SILO REPAIR WE DO

- \* Most Any Kind of Stave Silo Work
  - \* Tear Down & Rebuild Stave Silos
  - \* Shotcrete Relining
  - \* New & Used Extensions
  - \* New & Used Roofs & Chutes
  - \* Unloaders
  - \* Wooden Calf Hutches
  - \* Fiberglass Feed & Silage Carts
  - \* Install Silage Distributors & Fill Pipes
  - \* Repair Level Flo Silage Distributors
  - \* Silo Doors - Most Any Kind
- We Buy Some Stave Silos

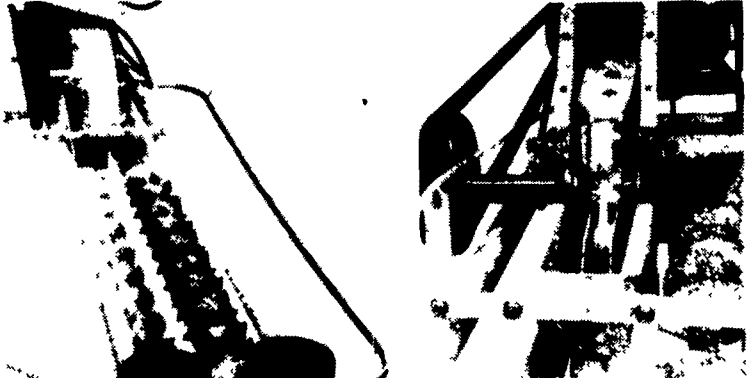
**SHOTCRETE RELINING**  
Repair Holes & Rough Silo Interiors. Make Your Old Silo Look Like New On The Inside.

We Cover A Wide Area  
RD 2, Box 91A Honey Brook., PA 19344  
215-273-3993

## Starline's® ALL NEW SURFACE DRIVE UNLOADER



Feature By Feature, You'll Find This Unloader Beats Them All!



#### Auger

- 2 3/8" diameter
- Counter-rotating 7" and 8" twin augers feature 1/2" flighting (not 3/16" like some unloaders)

#### Gear Box

- Oil sight glass

#### Motor Mount

- Banded double B-section V-belt to blower
- Single B-section, V-belt

#### Chute

- Replaceable stainless steel chute liner

#### Impeller/Blower

- New 3/16" stainless steel paddles
- Swinging paddle assembly
- Reversible paddles
- Adjustable impeller blades
- Adjustable shear plate
- Wide blower discharge
- Strong ABS bearing cover
- Stainless steel impeller band
- "Turbo" air inlet

#### Remote Stop/Start Control



- Remote stop/start control switch is standard equipment. Provides total and sole

control when operating machine from inside the silo during adjustment or servicing.

### BARN CLEANER CHAIN

10% Cash & Carry Discount  
On All Starline Parts



## DONALD R. NISSLEY

RD #1, Willow Street, PA  
(Corner of Rt. 272 S. & Byerland Church Rd.)  
(717) 786-7654

Full Line Parts Department For Starline

**BADGER'S AGRI SERVICE, INC.**  
Dillsburg, PA  
717-432-8377

**SPRING MAINTENANCE CHECK LIST FOR YOUR HARVESTORE®:**

- Unloader serviced before first cutting.
- Floor & floor plates checked.
- Breather Bags & Gaskets checked.
- Installed Lancaster Level-Flo 12" Gooseneck

CALL NOW, SO YOU'RE READY FOR SPRING

Western PA Customers contact:  
**C&C Equipment Co.**  
Ellwood City, PA  
412-752-6671  
Not affiliated with A.O. Smith Harvestore Products, Inc.

## We Are Offering Top Prices On Silo Unloader Trade-ins!

(any make or model)

**SILO UNLOADER REPAIR**

# Don't get clipped.

Repairing that old unloader may not be your wisest choice...

Repair costs can clip you for a lot more dollars than you might think. In fact a new unloader may not cost much more during "Hanson's Limited Time Unloader Special". So before you repair that old unloader, check with Hanson. Performance, dependability and value. That's the Hanson difference.



Call Us For Your Unloader Service Needs For All Brands And Parts... We May Have It!!

**Lancaster Silo Co., Inc.**  
2008 Horseshoe Rd.  
Lancaster, PA 17601  
717/299-3721