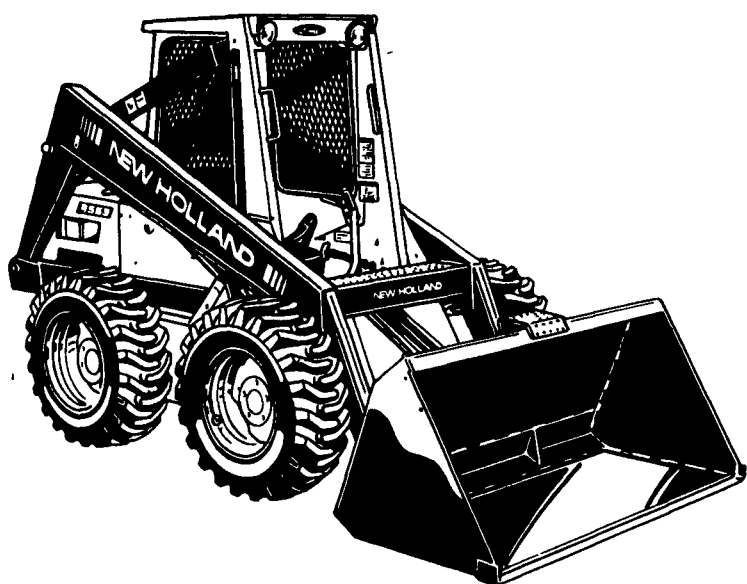
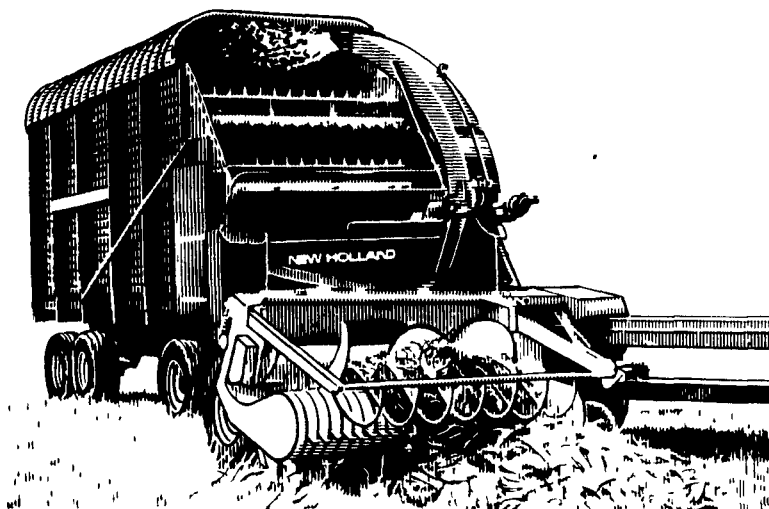


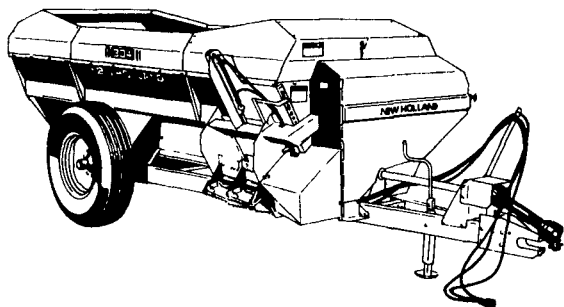
**WE'VE GOT FORD  
FARM SHOW AND EXHIBIT FOR YOU ON  
CUTTING, LAMINATING EQUIPMENT...**



**"SUPER BOOM LOADERS"  
REACH... SPEED.. STABILITY**



**790 HARVESTER WITH 790-W PICKUP  
EXTRA CAPACITY PLUS FIVE-YEAR  
CUTTERHEAD PROTECTION**

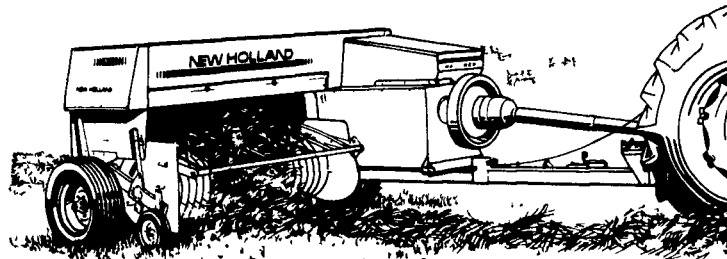


**SPREAD ALL TYPES OF MANURE  
NOW WITH 10-YEAR  
TANK WARRANTY.**

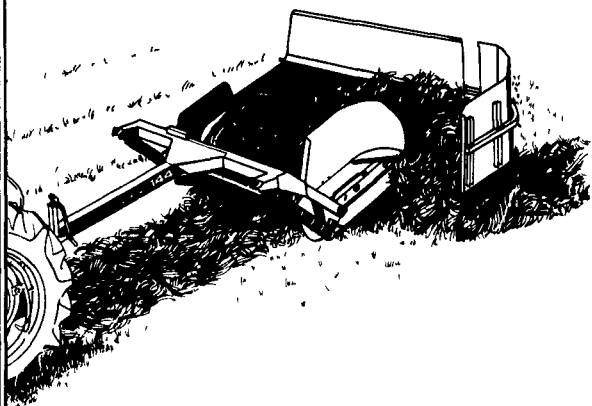


**Tractor that pulls  
as hard as it pushes**

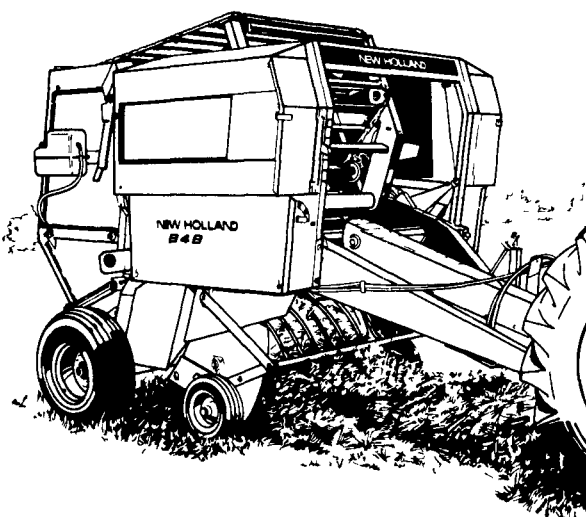
**276 BI-DIRECTIONAL**



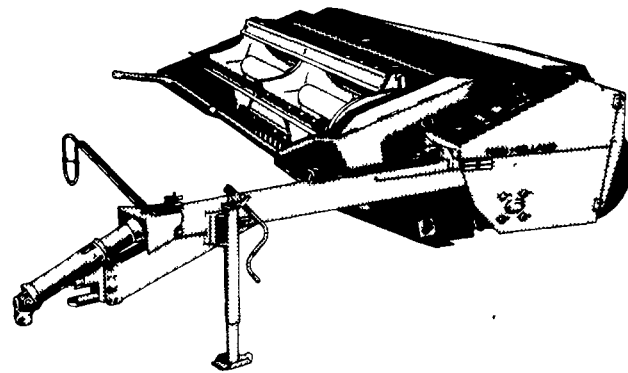
**316 BALER WITH HYD. DRIVE THROWER  
RELIABILITY...GETS THE JOB DONE FAST.**



**144 WINDROW INVERTER...  
TURNS WINDROWS "BOTTOMS UP"**



**"BALE COMMAND" MAKES  
ROUND BALING EASIER**



**489 HAYBINE MOWER CONDITIONER  
FAST CUTTING - LOW MAINTENANCE**

We don't want to stop now. So Ford New Holland has extended 0% A.P.R. financing through January 31, 1989. Buy a Ford tractor, Versatile tractor or New Holland implement, and finance it for 12 months. We'll pay the finance charges. And on New Holland hay and forage implements, we'll pick up the finance charges for up to 18 months.

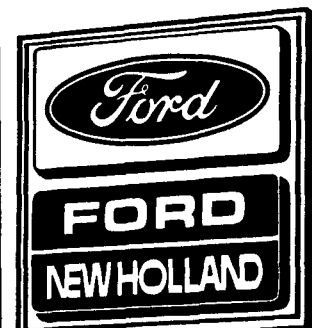
We also offer terrific rates on longer terms. Or interest waivers. Or great cash\* deals. So if you've been waiting for the right time to buy, the time is now.

Available exclusively through Ford Credit for qualified buyers

\*Nonsubsidized contracts with Ford Credit are the same as cash

**EXTENDED  
THROUGH  
JANUARY 31, 1989**

**0% FINANCING:  
WE JUST CAN'T  
STOP OURSELVES.**



**STOP AT THE SHOW... OR  
SEE YOUR NEAREST  
DEALER FOR COMPLETE  
JANUARY PROGRAM DETAILS**