

# Horticulture Industry Expo Scheduled

NEWARK, DE — The Delaware Horticulture industry expo is slated for January 23 and 24 at the Sheraton Inn in Dover, Del. The expo is cosponsored by Delaware Cooperative Extension and the Delaware Association of Nurserymen.

Registration begins at 8:15 a.m. on January 23, with the program beginning at 8:45 a.m. and concluding at 3:30 p.m. On January 24, registration begins at 8:30

a.m., with the program beginning at 9 a.m. and concluding at 4 p.m. Lunch and morning and afternoon breaks are provided both days.

Susan Barton, University of Delaware Extension specialist in ornamental horticulture, is this year's expo coordinator.

"We'll have a wide range of topics," Barton said. "focusing on down-to-earth, practical information for the horticulture industry."

Topics range from controlling

pests in the greenhouse to water quality and its effects on greenhouse plants, to growing and marketing outdoor cut flowers.

"We have a good lineup of speakers," Barton commented, "including Dr. Bonnie Lee Appleton, the Extension specialist for nursery crops at Virginia Polytechnic Institute and State University. Appleton has devoted an entire book to landscape renovation. She will discuss a step-by-

step procedure for evaluating landscapes before renovation."

Marc Cathey is a national horticulture figure who also will be featured at the expo. Cathey, director of the U.S. National Arboretum, will talk about tough plants for tough sites.

The expo offers price breaks for early registration, more than one person from the same organization and for attending more than one day of the event. Before January

17, fees are as follows: \$45 per person for both days, \$42 per additional persons from the same operation, \$25 per person for one day of the program. After January 17, fees will be as follows: \$50 per person for both days, \$30 per person for one day of the program.

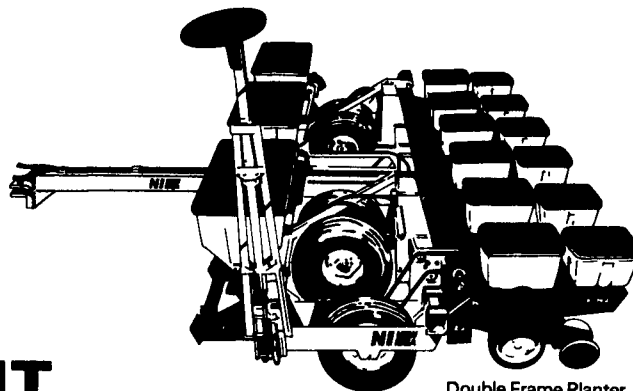
Make checks payable to Delaware Association of Nurserymen and send to: Susan Barton, Townsend Hall, University of Delaware, Newark, DE 19717; 302/451-2532.

## NEW IDEA PLANTERS . . .

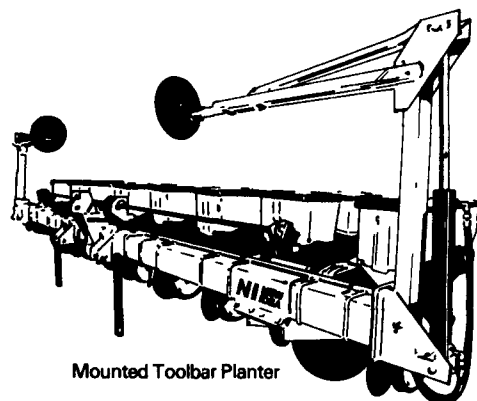
### A FULL LINE TO MEET ANY PLANTING REQUIREMENT AT ANY PLANTER BUDGET!

Whatever your planting requirements, there's a New Idea Planter to meet them!

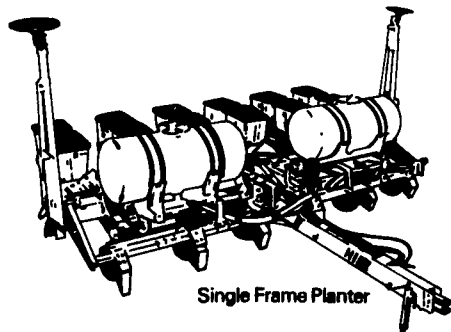
New Idea's full line includes 4, 6, 8, and 12 row models . . . single frame, double frame or folding models . . . mounted or trailing models . . . all featuring heavy-duty construction from the hitch to the main frame to the markers. Plus, all New Idea Planters feature dependable Kinze row units for precise seed placement. In addition, all models are available with a variety of attachments that give you even greater planter flexibility.



Double Frame Planter

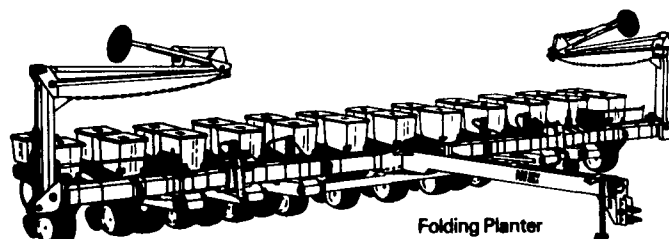


Mounted Toolbar Planter



Single Frame Planter

See us today for your planter requirements. With the full line choice from New Idea you can fit the planter, not only to your operation, but to your budget as well!



Folding Planter

**NEW IDEA**

## SEE YOUR NEW IDEA DEALER TODAY

### PENNSYLVANIA

**Airville**  
FARMERS EQ. & SUPPLY CO., INC.  
717-862-3967 or 3968

**Bechtelsville**  
MILLER EQUIPMENT  
215-845-2911

**Belleville**  
IVAN J. ZOOK & SONS, INC.  
717-935-2948

**Bethel**  
ZIMMERMAN'S FARM SERVICE  
717-933-4114

**Cochranville**  
STOLTZFUS FARM SERVICE  
215-593-2407

**Cresson**  
HINES EQUIPMENT  
814-886-4183  
**Bellwood**  
814-742-8171

**Dover**  
GEORGE N. GROSS, INC.  
717-292-1673

**Easton**  
FANCY FURROW FARMS AG. EQ.  
215-252-8828

**Ephrata**  
ROY H. BUCH, INC.  
RD 2  
717-859-2441

**Everett**  
SOLLENBERGER EQUIPMENT,  
INC.  
814-652-5223

**Gettysburg**  
YINGLING'S IMPLEMENTS  
717-359-4848

**Greencastle**  
MEYERS IMPLEMENTS, INC.  
717-597-2176

**Hamburg**  
SHARTLESVILLE  
FARM SERVICE  
RD 1  
215-488-1025  
H. Daniel Wenger, Prop.

**Honesdale**  
MARSHALL MACHINERY, INC.  
717-729-7117

**Jersey Shore**  
THOMAS L. DUNLAP  
717-398-1391

**Jerseytown**  
WILLIAM F. WELIVER  
717-437-2430

**Kittanning**  
W.C. CRYTZER EQUIP., INC.  
412-543-2441

**Kilginstown**  
STANLEY'S FARM SERVICE  
717-648-2088

**Lebanon (Fontana)**  
UMBERGER'S OF FONTANA  
RD 4  
717-867-5161

**Mahaffey**  
HUTTON FARM EQUIPMENT  
814-277-5504

**Maxatawny**  
N.H. FLICKER & SONS, INC.  
215-683-7252

**Mifflinburg**  
BS & B REPAIR  
717-966-3756

**Mill Hill**  
DUNKLE AND GRIEB  
717-726-3115

**New Holland**  
A.B.C. GROFF, INC.  
717-354-4191

**Oakland Mills**  
PEOPLES SALES & SERVICE, INC.  
717-463-2735

**Quakertown**  
C.J. WONSIDLER BROS.  
215-536-1935

**Quarryville**  
A.L. HERR & BRO.  
717-786-3521

**Spring Mills**  
RT. 45 SALES  
& SERVICE  
RD 1  
814-422-8805.

**Tunkhannock**  
ACE- JURISTA, INC.  
717-836-2610

### MARYLAND

**Churchville**  
WALTER G. COALE, INC.  
301-734-7722  
301-879-1434

**Frederick**  
KNOTT & GEISBERT, INC.  
RD 2  
301-662-3800

### Hagerstown

ANTIETAM FORD TRACTOR  
301-791-1200

**Lineboro**  
WERTZ GARAGE, INC.  
301-374-2672

**Rising Sun**  
BIGGS, INC.  
301-658-5531

### NEW JERSEY

**Bridgeton**  
LESLIE FOGG INC.  
609-935 5145

**Columbus**  
REED BROS. EQUIPMENT  
609-298 3441

### WEST VIRGINIA

**Martinsburg**  
BENDERS FARM SERVICE INC.  
304-267 8707