

# Crawford County Extension Service Holds Annual Meeting

**BY CAROLYN HILSDON GILLES**  
**Crawford Co. Correspondent**  
**MEADVILLE (Crawford)** — The Elks Club was the site of the annual meeting and banquet of the Crawford County Extension Service on November 22 where 175 representatives of various farm organizations, agricultural-related businesses, and government gathered for fellowship and to elect new members to the Extension Executive Committee.

Executive Committee President, Craig Powell, opened the meeting and County Extension Director, Blaine Schlosser, introduced committee members, staff and other special guests. Or behalf of the committee, Brenda Raney presented a silk flower arrangement to Nutrition Education Adviser, Frances Spinnato. Spinnato recently retired after 17 years with Extension's Expendec Food and Nutrition Education Program.

County Commissioner David Glenn gave a "new building update." Plans are to break ground for a new county home and hospital by spring. Once residents are moved into the new facility, hopefully by fall, plans then can get underway to renovate the south wing into office space to house Extension and other ag-related services. The intent is to create a "one stop Ag Center" with occupancy tentatively scheduled for February, 1990.

Executive Committee member

Doneva Hyde reviewed nominees for vacancies on the Executive Committee and, after asking for nominations from the floor, ballots were marked. New Executive Committee members are: Michael and Marsha Holowell and Craig Powell, from District A; Charles and Ruth Thompson from District B; Joseph Holler and Jeff and Brenda Raney from District C; and Calvin and Marcia Ernst from District D.

Featured speaker for the evening was Pat Leimbach, newspaper columnist and author of three books: "A Thread of Blue Denim," "All My Meadows," and "Harvest of Bittersweet." Leimbach resides in Vermillion, Ohio, where she and her husband have a vegetable and grain operation. She is a graduate of Case Western Reserve and has done graduate study at the University of Montreal. Twenty-five years in teaching provided her with excellent training as a public speaker.

Leimbach was raised about 40 miles from Cleveland on a small fruit farm. Her mother supported seven children by working at a farmer's market and had a "jaundiced viewpoint of farm life." She took a dim view of her daughter going to college at Ohio State and preferred, instead, that she study French at a women's college to prepare her for a more genteel life. After graduation, Leimbach began teaching school and, as fate would have it, the school board was com-

prised of dairy farmers. Through them, she met her husband and "ultimately married from fruits into vegetables."

Leimbach feels a "special mis-

sion to farm wives," who, she says, have "no manual of procedure, just a lifelong struggle of one-the-job training." Her amusing stories of life on the farm and

her insightful readings of favorite columns were clearly appreciated by her audience. They found in her a kindred spirit who blessed them with her gift of laughter.

## Save \$500

### 5 HP Vacuum Pump

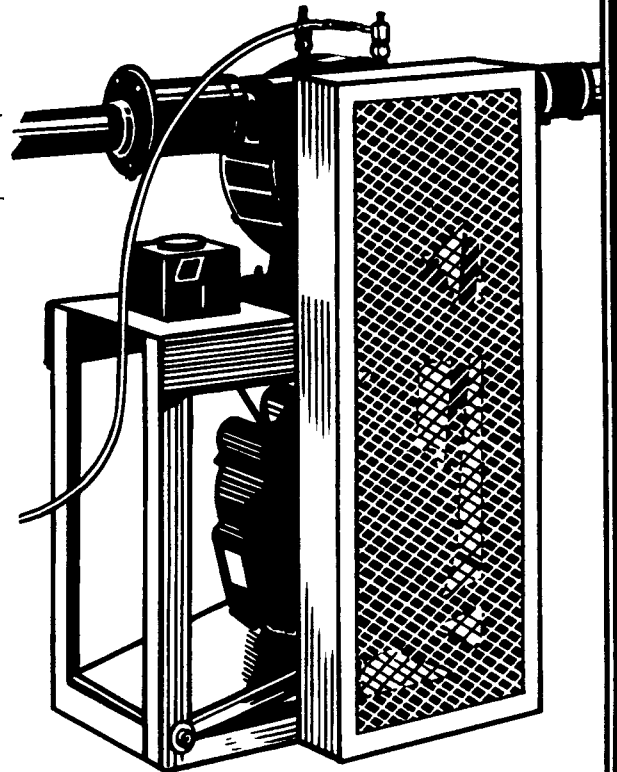
Inadequate vacuum can mean longer milk-out times, poor udder health and reduced productivity—things that cost you money. If you're having problems with your system, now's the time to update it with a Universal Space Saver vacuum pump.

This industrial-quality pump is made by Masport®—the world leader in vacuum pump technology. And this great low price includes the electric motor, space-saver base, belts, sheaves, guard and hour meter.

Call today for more information on one of the most profitable investments you can make (471-571)

Reg \$2,045.00

## \$1,545<sup>00</sup>



Sale ends December 31, 1988

Contact your local Agway Store or Farm Systems Salesperson.



# AGWAY

Your Country Values Store

## Martin Re-elected

**SOUTHAMPTON (Bucks)** — Clyde W. Martin, East Earl, was re-elected a director of Atlantic Dairy Cooperative at the cooperative's annual meeting Nov. 16.

A Lancaster County dairy farmer, Martin will represent Atlantic's District 35. He joined the cooperative in 1960 and was first elected a director in 1984.

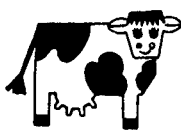
Martin and his wife, Frances, are in partnership with Glenn

Martin. They farm 168 acres and raise 200 head of Holsteins.

As a director of Atlantic, Martin will be instrumental in making policy-setting decisions that govern the operation of the cooperative.

Atlantic Dairy Cooperative, which represents 3,800 members in a seven-state region, marketed 3.45 billion pounds of milk in fiscal 1988.

### CONCRETE LAWN ORNAMENTS



34"Hx46"L

717-838-4224  
 838-1724  
 Lebanon County, Pa.



44"Hx48"L

Also Selling Deer, Mules, Donkeys, Dogs, Lawn Balls, Fountains, Etc.

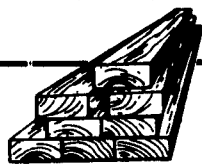
### MUSSER & ASSOCIATES, INC.



R.D. 2 • BOX 2881  
 Mon.-Fri.:  
 7 AM - 5 PM

Rt. 322 & Fetterville Road  
 (717) 354-7561

EAST EARL, PA 17519



BUY SPRUCE & TREATED LUMBER DIRECT FROM THE MILL THROUGH US

**SQUARE & TRUSSES**  
**BARN POLES**  
 Pressure Treated

2x6 CENTER MATCH TREATED BOARDS



Complete Pole and Other Buildings

### THE LANCASTER PANEL

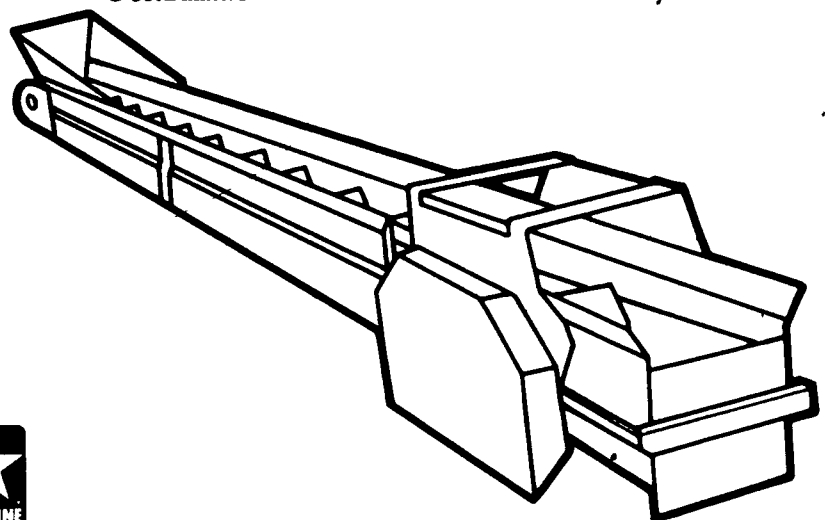
- 20 Year Warranty
- Painted Galvalume



- A panel overlap designed to close tighter with less visible edge.
- An anti-siphon groove in the underside rib to give added insurance against leaks.
- Cut to the inch.
- Job packed to your specifications.
- Available in 9 colors.
- Panels made from 100% Galvalume.
- Panels and Trims painted with 100% Ceram-a-sil paint.
- Custom trims at any time to your specifications.
- 24 hour service when required.

## Save \$200

### Starline® 21½' Chain Conveyor

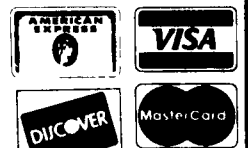


• 9" galvanized trough • includes two 10' conveyor sections • 18" head and base, motor pulley and tapered hopper • 1 HP motor required but not included • assembly required (492-100)  
 Reg \$1,097.00

## \$897<sup>00</sup>

Sale ends December 31, 1988

Contact your local Agway Store or Farm Systems Salesperson for more information.



# AGWAY

Your Country Values Store