



**NEW TRACTORS  
CASE-IH**

235 hydro 2WD  
245 4WD turf tires w/  
loader  
245 4WD AG tires  
255 2WD  
485 2WD  
585 4WD, (special price)

**USED TRACTORS**

IH 424 G

**NEW EQUIPMENT  
CASE-IH**

530 spreader  
540 spreader (special  
price)  
2200 Loader  
385-485 Tractor

**USED**

**LAWN & GARDEN**

128 Cub Cadet, 12 hp  
w/44" mower  
Cub Lowboy w/60" mow-  
er & 54" blade

**NEW**

**OTHER EQUIPMENT**

Woods-Dixie 5' rotaries  
(special price)  
Woods RM500  
Woods 5 & 6' scraper  
blades  
Stone Rakes 3 pt. 6 & 8'  
(special price)

**LAMB'S FARM  
MACHINERY**

Thorndale, PA  
Phone 215-269-2676

**All Steel Frame  
Hay Wagon, 8x18**

All Sizes, Steel  
Hay Feeders

24' Feeder On  
Whls.

Self Locking Panels  
**J & L EQUIPMENT**  
St. Thomas, PA  
**717-369-2637**



Owatonna 445 Skid  
Ldr. w/Perkins Del.  
Engine  
NH 273 Baler  
Good Shape No  
Thrower  
Other Cheaper Balers  
w/o Throwers  
NH 489 Haybine  
\$2,800  
9' Owatonna Haybine,  
\$795  
NH 1469 SP Haybine  
\$1,500 As Is  
Brillion 11' Packer  
w/18" Rolls  
IH 225 Mower  
Conditioner,  
Looks Good  
Bobcat 530 Skid  
Loader w/New  
Engine  
MF 3 Pt. 7' Field Mower  
AC D15 Tractor  
w/Forklift

**Paul Shover's  
Inc.**  
35 Willow Street  
Carlisle, PA  
**717-243-2686**

Potato planter 4 row Moon-  
nell 500 with liquid fertz,  
very good  
condition. 215-395-1213.

Rissler taperboard feeder,  
70' long, good condition  
Zimmerman field sprayer,  
300G, 40' booms. Cumber-  
land Co. 717-258-6010

Rough Terrain Crane, Aus-  
tin Western model 410 Se-  
nior w/3-71 Detroit diesel  
4WD, 4W steer Good yard  
crane, \$6,500. Balanda  
Equipment Co., Palm, PA.  
215-679-3900.

Tractor cab w/universal  
mountings, air conditioning  
\$695; Gehl 99 blower  
\$1000; Kools 48" blower  
\$350. Both in good condi-  
tion. Cumb. Co.  
717-258-6682. No Sunday  
calls.

New 40" Loader  
Buckets For  
Compact Ford  
Loaders  
Will fit Kubota  
and others  
\$186 Each  
(2) or more \$166

Case 580B Loader  
Backhoe... \$7,000  
Oliver 1855 w/Cab,  
Duals, One  
Owner, SHARP  
..... \$5,800

Swartz WFE for JD  
3020 ..... \$595  
Swartz WFE for IHC  
504 ..... \$495

Used Parts for  
following tractors:  
Kubota L175, Case  
530, JD 1020,  
DB880, Oliver 1950  
and 100 others.  
New MF Suitcase  
Weights, \$25 each

**Ed Goodrich Jr's  
Tractor Parts Co.**  
Rt. 38 & 38B  
Newark Valley, NY  
**607-642-8688**

**USED TRACTOR PARTS.**  
also rebuilt clutches and  
torques. We ship UPS. Hill-  
T Farm Sales = Service,  
4295 Richmond Palestine  
Road, New Madison, Ohio  
45346. 513-548-0718.

We specialize in flat belt-  
ing, cut to order, baler  
throwers, self unloading  
wagons, long table blower  
belts. Franklin Co.  
717-328-3591. If no  
answer 717-328-5603

**USED  
TRACTOR &  
COMBINE  
PARTS**  
Large Selection  
Save 50%

**W.C. Littleton  
& Son Inc.**  
P.O. Box 169  
Laurel, DE 19956  
**302-875-7445**

**JOHN DEERE**  
Hi-Boy overhead  
sprayer  
**\$5,000**

**GARRETT'S  
FARM**  
Bernville, Pa.  
Telephone:  
**215-488-7060**

**Good Used Equipment**

NH 315 baler with #70 thrower, used on 27  
acres  
D-17 AC series 3 tractor with loader  
NH 488 haybine  
IH 550 spreader, 200 bushel, used 6 months  
Fahr 17' hay tedder, used 2 years  
16' Brillion fold-up harrow  
Ford 3 pt. cultivators  
Fox Brady soybean processor  
IH 420 baler with chure  
MC 9' Rotary Scythe to cut hay or corn stalks  
NI 42' Elevator, Elec. Motor & PTO Shaft  
NI 14A Ground Driven Manure Spreader

Lycoming County  
**717-323-0987 or  
717-398-0829**

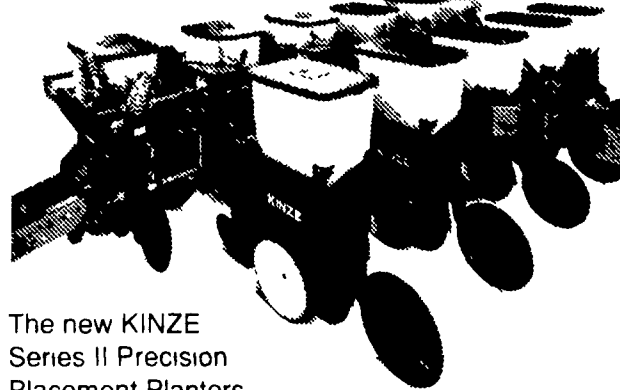
# The planter you can grow with...

The new KINZE Series II Planters introduce an exciting, innovative modular design concept that offers you total flexibility in planting options...plus the most efficient precision placement planting technology

**Think of the possibilities!**  
With KINZE's Single Frame Planter you can plant 30" corn... and minutes later, convert to 15", even 10" row spacing for beans or for small grains.

Or, set it up with liquid or dry fertilizer options instead of push units and save the extra trips and expense of other fertilizer application systems.

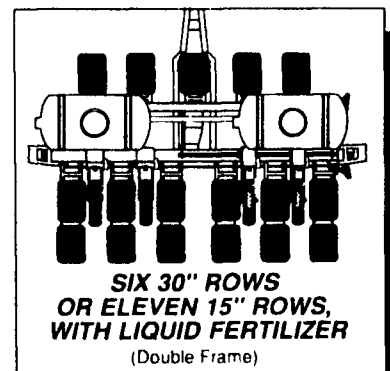
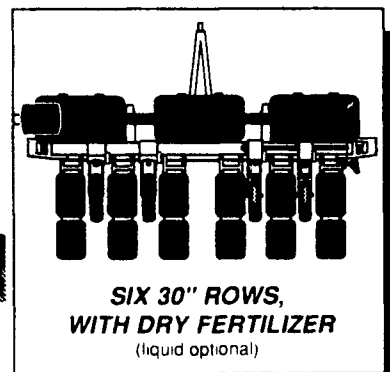
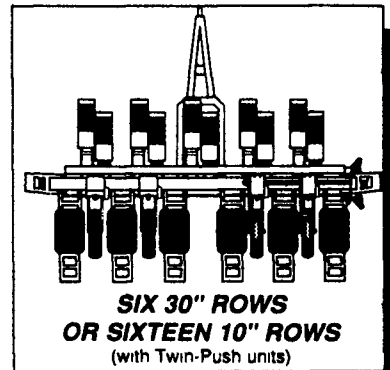
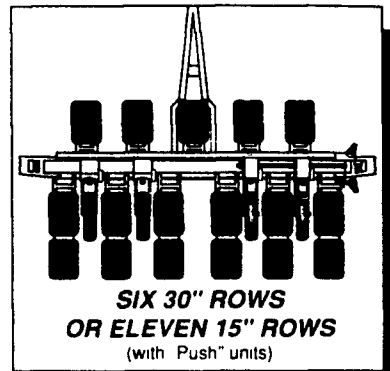
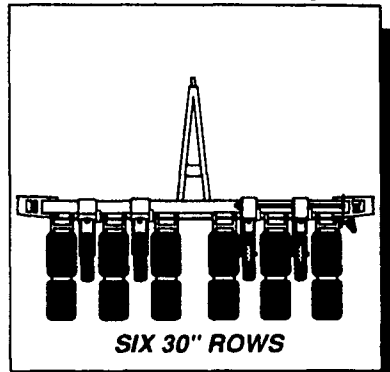
Or, you can add the front-mounted Double Frame<sup>®</sup> attachment and do it all—standard rows, fertilizer and split rows. All with the same planter, same drive components, same drive system. Without sacrificing one ounce of that quality KINZE construction.



The new KINZE Series II Precision Placement Planters  
More planting options  
More fertilizer options More spacing options A smoother, more dependable drive system  
Like no other planter in the field today!

## KINZE SERIES II

See your KINZE dealer today



**NEW TRACTORS**

Case-IH 235 AWD	Case-IH 885, 72 hp
Case-IH 245 AWD	Case-IH 2096 w/ROPS
Case-IH 485, 42 hp	Case-IH 7110, MFD

**NEW TILLAGE EQUIPMENT**

Case-IH 5709, 3 Pt. Chisel Plow	IH 5507 3 pt. Chisel Plow
Case-IH 4500, 12' VS Cultivator	

**NEW PLANTING & SEEDING EQUIPMENT**

Case-IH 900 6R Air Planter	Case-IH 900 4R Nar. Plate Planter
Case-IH 900 4R Air Planter	

**NEW MATERIAL HANDLING**

Case-IH 2255 Loader	Case 1835C, Gas Uni-Loader
Case-IH 1250 Grinder Mixer, Hyd.	Case 1845C, Uni-Loader

**NEW HAY & FORAGE EQUIPMENT**

Case-IH 86 Hay Rake, hyd.	Case-IH 8420 Round Baler
Case-IH 1063 6RN Corn Head	

**USED TRACTORS & EQUIPMENT**

IH F656 G tractor, 3PT.....\$3850	NH 23 For. Blower.....\$350
IH F 560 G tractor w/2PT....\$2350	IH 510 5F 18" Plow.....\$1750
IH F 400 G tractor w/PS.....\$1850	IH 535 3F 16" Plow.....\$750
IH 574 G Tractor.....\$4850	IH 710 5F 16" Plow
IH F-C Tractor w/imp.....\$1350	w/Cyl.....\$1650
MH 44 Tractor.....\$750	Badger For. Wagon w/roof...\$2350
Hesston 1014 + 2 hydro.	Ont. 13x7 SD drill.....\$650
swing.....\$5850	IH 56 4R Planter.....\$950
NH 479 Haybine.....\$1350	IH 55 9' 3PT Chisel.....\$950
IH 5 Flail Chopper.....\$950	5th Wheel Wagon Chassis....\$485
IH 990 Mower Cond., 9'.....\$1450	Lamco 16' For. Box &
IH 843, 4RN Corn Head.....\$2650	Gear.....\$1750
IH 120 Forage Box w/ 12T Gear.....\$3350	

**MIFFLINBURG  
FARM SUPPLY, INC.**

Route 45 East, Mifflinburg, PA 17844  
Phone: (717) 966-3114  
Evenings - 717-524-2924 - Frank Saner



**BINKLEY & HURST  
BROS. INC.**

SALES PARTS SERVICE

133 Rothsville Station Rd., Lititz, PA 17543

Located 1/2 Mile North of Rothsville

**(717) 626-4705**

Mon.-Fri. 7 AM - 5 PM; Sat. 7 AM - 11:30 AM

Sun. Closed - Lord's Day

Emergency Parts (After Closing): 717-626-0885 717-933-4753 717-273-5673