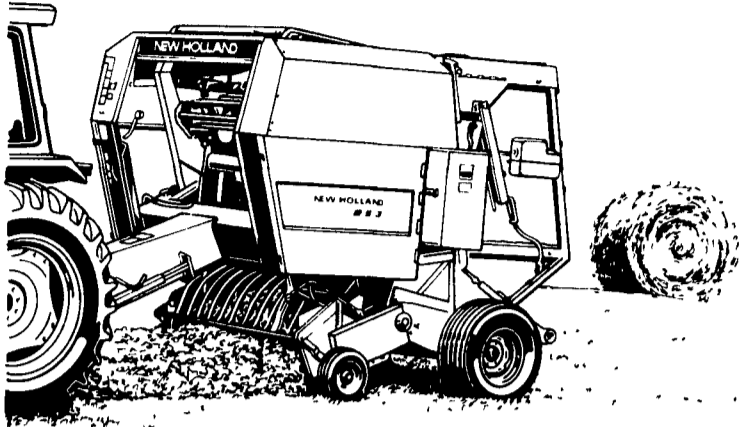
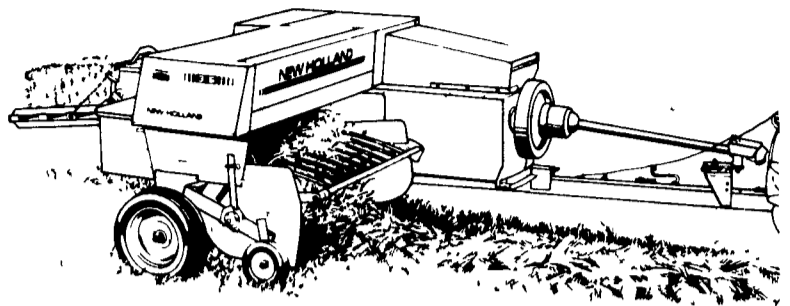


ROUND OR SQUARE... DISC OR CUTTERBAR... WE HAVE YOUR NUMBER



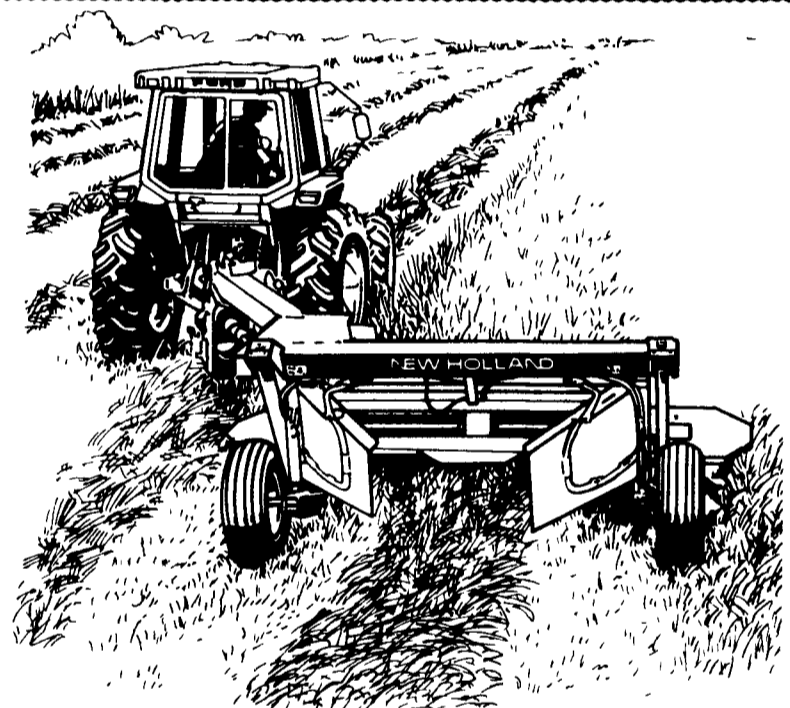
Let us help you boost capacity.

If you need more capacity in your haying operation, a New Holland round baler, with all its automated features, rates head and shoulders above all the rest. The exclusive air-spring density system produces bales of uniform density. And choose one of three different wrapping systems that best suits your needs. Stop in soon and see our complete line of New Holland round balers.



Let's deal!

If you're worried about your old 14" x 18" baler, come on in and let's deal on a new one. The New Holland Model 316 baler is known for its reliability and capacity. It makes dense, uniform bales; features a wide, Super-Sweep pickup and the most reliable knoter in the business. Stop in and . . . let's deal!

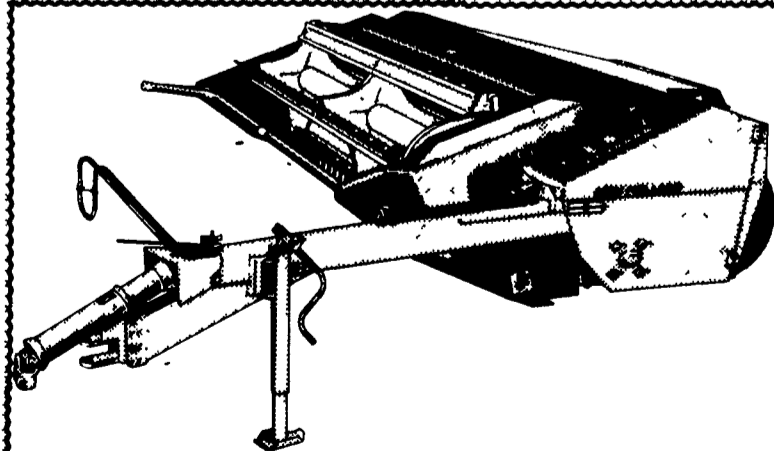


See it to believe it!

The New Holland Model 411 Discbine[™] disc mower-conditioner handles the toughest conditions without plugging.

- Ten-foot cut
- 84-inch rubber conditioning rolls
- Mows through fire ant hills, gopher mounds
- Slices under down, tangled crops

Ask us to demonstrate the 411 in your toughest crop.



See it in action!

We have this New Holland Model 489 Haybine[™] mower-conditioner in stock and we're ready to give you a demonstration. A nine-foot cut, thorough conditioning and a header suspension system that glides over rocks and other hazards to keep you on the go. Come in today.

NEW!

Ford
Credit

0%
12 Months

5.9%
24 Months

8.9%
48 Months

7.9%
36 Months

9.9%
60 Months

When you purchase new:

- New Holland equipment

Free Finance Available To January 1, 1989
Available exclusively through Ford Credit for qualified buyers



**SEE YOUR NEAREST DEALER FOR
COMPLETE JULY BUYERS PROGRAMS**

**Discounts For
Cash Purchases**

Ford
Credit