

Tioga Co. DHIA

dhia Monthly Report

Pennsylvania Dairy Herd Improvement Association

December 1987
Rolling Herd Average

Name	Brd.	No. Cows	% Days In Milk	Milk Lbs.	Fat Lbs.
John S Bennett	3	56.0	84.9	19,068	769
Glenn Bowen	3	38.8	89.2	20,666	746
L&J Holsteins	B8	39.4	89.8	19,554	743
Richard Groover	3	36.1	89.8	20,803	732
Eugene Sargent	B3	61.2	90.3	19,239	731
Charles&Doris					
Porter	3	48.2	86.9	20,854	728
Fred Pazzaglia	G3	61.6	83.6	18,589	726
Leemon E Gaugler	3	43.3	85.4	18,455	721
Gor-Wood-D	3	145.7	84.2	21,322	720
Schmelway Farms	3	51.9	87.0	19,490	719
Doug + Jenny					
Lawton	3	62.8	88.8	19,848	716
Mike Buckwalter	3	58.6	85.3	20,982	715
Robert L Miller	B3	76.8	87.3	20,132	714
Terry & Linda Long	B3	39.3	87.7	19,155	708
War-Bern Farm	3	106.7	86.8	19,447	704
Double-B-Farm	B3	38.8	85.7	19,906	701
Dean Baity	3	56.0	86.9	17,799	699
Fred Pazzaglia #2	G3	45.0	80.7	18,342	698
Mil'in Dairy	B3	77.3	84.0	18,467	697
Barry & Jane Hultz	B3	68.3	85.4	17,824	696
Dave + Donna Cleveland	B3	46.6	82.1	20,423	690
John + Ed Sticklin	B3	43.7	88.6	19,289	690
Chris Gaugler	3	41.8	89.0	18,206	686
Charles D Groover	3	16.2	88.1	17,928	684
Galen & Dale					
Jackson	B3	37.5	84.9	18,190	681
William					
Chamberlain	3	45.0	84.2	19,228	681
Philip - Anne Clark	3	25.3	84.9	18,166	677
Bill Lichty	B3	47.2	89.3	17,976	673
Verne W Bowen	3	38.4	88.0	19,129	672
Clark Bowen & Son	3	52.7	85.3	19,025	671
Harold Robson Jr	3	52.8	83.7	18,912	671

Sweetbriar Acres	B3	87.6	88.3	18,238	667
Emery-Rick Davis	B3	55.9	85.9	17,834	666
Windswept Dairy	3	100.4	86.4	16,981	660
Bruce T Metzger	G3	26.0	83.8	19,327	659
Clifford Brace	B3	50.6	85.1	17,816	658

Lactations

John S Bennett						
Lisa	6-4	305	24,080	4.3	1037	
Red	3-4	305	19,234	4.7	905	
Laura	9-2	300	19,144	4.5	865	
Eugene Sargent						
Specks	4-5	305	25,663	3.9	1004	
Monica	5-5	305	21,093	3.8	803	
Mil'in Dairy						
34 Frda	3	4-5	305	28,363	3.5	1003
Baker Family Farm						
2	3	5-1	305	19,066	5.0	969
Barry & Jane Hultz						
Fern	3	4-6	305	24,693	3.8	953
Cher	3	5-9	305	19,893	4.5	898
Double-B-Farm						
Becky	3	3-3	305	22,638	4.1	940
Mike Buckwalter						
Pamela	3	5-5	305	25,803	3.5	909
Schmelway Farms						
Barbs	3	6-3	305	24,264	3.7	898
Robert L Miller						
42	3	4-3	305	24,546	3.6	884
Fred Pazzaglia						
56	3	1-11	305	17,448	4.9	863

Gene-Mar Farms	B3	80.1	91.8	19,551	0	736
Amos M Stoltzfus	B3	43.5	85.6	18,934	0	735
Ivan B Martin	B3	39.9	84.3	20,683	0	733
Locust-Ridge Farm	B3	51.0	84.9	20,037	0	733
Kenlew Farms	B3	45.8	87.2	19,993	0	732
San Be Farms	3	63.0	87.1	20,834	0	730
Elam Beiler	3	44.4	93.4	18,440	0	729
Rapid Run Farm	3	39.9	88.1	21,091	0	728
Mifflin Hills Farm	3	53.4	87.2	20,819	0	728
Mevin Z Musser	B3	39.9	85.3	20,547	0	726
Wilmer S Stoltzfus	B3	33.6	89.2	20,748	0	718
Ralph Dietrich & Son	B3	23.0	89.9	17,931	0	694
Daniel Z Stoltzfus	3	72.6	88.2	19,956	0	691
Joal-Ann Dairy	3	75.7	88.5	19,316	0	688
Roland Hackman	3	48.2	85.3	17,862	0	688
Wilmer E Zook	B3	41.0	84.8	19,203	0	685
Allen Reichley	B3	50.1	88.3	16,405	0	682
Leroy Zimmerman	B3	56.5	87.4	19,455	0	680
Dennis E Wolfe	B3	23.4	88.8	18,257	0	680
Ron & Lina Hofmann	B3	52.0	87.0	18,481	0	679
Mark A Mapes	B3	38.1	84.7	19,254	0	675
Hemlock Meadow Farm	B3	52.4	82.9	18,256	0	671
Jonas R Zeiset	B3	45.1	88.5	17,975	0	664
Crissons Farms	G8	59.4	86.6	15,614	0	662
Nelson Z Martin	G3	30.6	85.1	18,625	0	660
Melvin Z Musser	B3	39.9	85.3	20,547	0	726

UNION COUNTY DHIA December 1987

Name	Brd	No. Cows	% Days In Milk	Milk Lbs	3 X	Fat Lbs
Jacob S Stoltzfus	3	50.8	88.6	22,382	0	860
Clarence W Beiler	3	66.9	89.9	20,392	0	804
John F Stoltzfus	B3	49.4	90.3	22,060	0	794
Leon M Musser	3	51.3	91.8	20,240	0	767
John K Stoltzfus	3	47.7	89.2	19,818	0	753
Locust-Row-Farm	B3	56.2	90.2	18,812	0	752
Ridge Creek Farm	3	46.6	87.9	20,725	0	748
Kore M Yoder	G3	43.3	88.3	20,490	0	744
Terry L Boob	B3	40.6	88.3	19,923	0	737

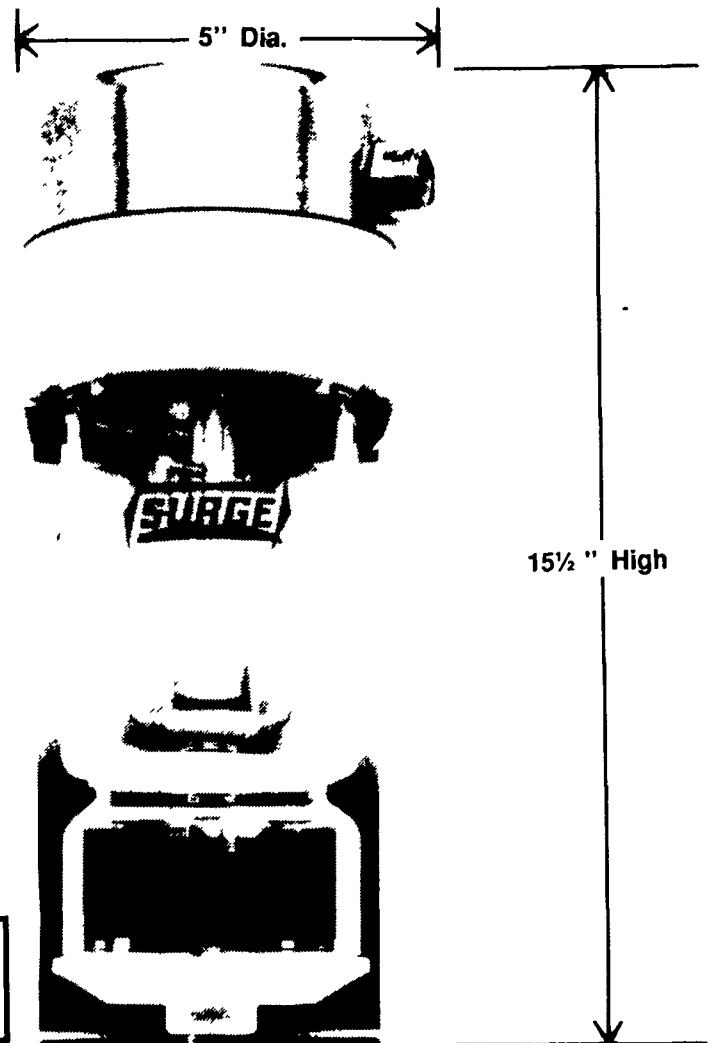
MILK AMERICA'S HEALTH KICK™

AVAILABLE NOW...



Electronic Milk Meter Unit

- Compact - Single Piece Design
- Glass and Stainless Steel Construction
- Single Valve Design - Clears Foam
- Single Cable, Quick Connect Installation
- Milk Weight And Warning Light Display At Parlor Curb Height



Contact One Of These **SURGE** Dealers Now!

JIM'S SURGE SALES & SERVICE
215 Oak Bottom Rd.
Quarryville, Pa.
Ph: (717) 786-1533

SHARTLESVILLE FARM SERVICE
Dale Wenger
RD 1, Hamburg, Pa.
Ph: (215) 488-1025

DOTTERER EQUIP.
Box 454, RD 3
Mill Hall, Pa. 17751
717-726-3471

PEN W. HOSTETTER
RD 2, Annville, Pa.
Ph: (717) 867-2896

DON UPPERMAN SURGE
1126 N. Franklin St.
Chambersburg, Pa.
Ph: (717) 264-6007

BRANDT'S FARM SUPPLY
601 E. High St.
Elizabethtown, Pa.
Ph: (717) 367-1221

LONGACRE ELECTRICAL SVC. INC.
Bally, Pa.
Ph: (215) 845-2261

K.C. DAIRY SERVICE
RD 2, Box 2332
Mt. Bethel, Pa.
Ph: (717) 897-5141

SHANK'S SURGE
2150 Rowland Rd.
Hagerstown, MD
301-790-1226
15535 Old Frederick Rd.
Emmitsburg, MD
301-447-MILK

CALLAWAY'S FARM & DAIRY SUPPLY
20 Center St.
Harrington, DE
302-398-3151