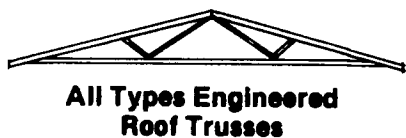
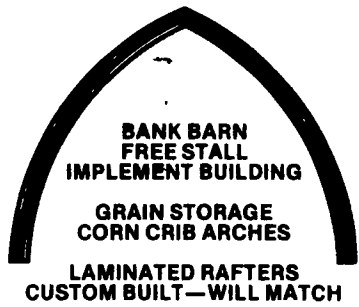


**PRODUCTS
WE MANUFACTURE
AND STOCK:**



FABRAL

ROOFING & SIDING
Strong, Durable & Attractive



**Will Make Your Door
Roll With Ease
And Last Longer**

PLYCO

- RIDGE VENTILATORS
- WINDOWS & DOORS
- HORSE STALL
HARDWARE

TREATED LUMBER

We Make Our Own Tongue
& Groove Decking And
Flooring, Assuring A
More Uniform Match

**Rigidply
Rafters, inc.**

Introduces:

**THE
GLU-LAM POST**

The Only REAL Laminated Post

- Discover the labor saving advantages:

- Glued Laminated with Waterproof Glue
- Lighter, Straighter and Stronger than solid sawn or nailed laminated posts
- C.C.A. Treated laminations are used on the Ground Contact End.
- C.C.A. Penetration is Greater than solid sawn posts
- Untreated wood above ground eliminates the need for Galvanized Fasteners.
- Finger Jointed to form One Piece laminations
- Eliminates Cracking, Splitting and Checking.
- Tested and Approved for use in the post frame construction industry by engineers at The Pennsylvania State University.

STANDARD SIZES:

- 6 x 6 Equivalent - 3 ply 2 x 6, 4 1/16" x 5 1/4"
- 6 x 8 Equivalent - 3 ply 2 x 8, 4 1/16" x 7"
- 8 x 8 Equivalent - 4 ply 2 x 8, 5 1/2" x 7"

Other sizes available upon request
6'0" minimum standard treatment
Available in lengths to 60'0"

- Improve the quality of your next post frame building by specifying glue-lam posts!

RIGIDPLY RAFTERS' "GLU-LAM COLUMN" SPECIFICATIONS

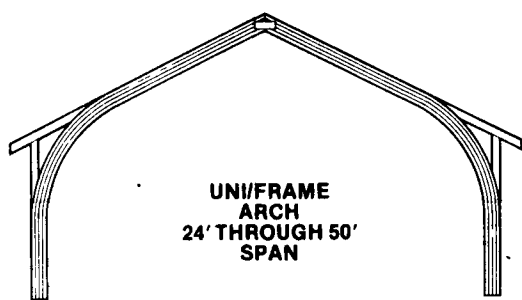
All columns shall be Rigidply Rafters' "Glu-Lam Columns", manufactured of #2 southern yellow pine laminations glued together at 12% moisture content with phenolresorcinol glue. They shall be assembled and clamped under pressure in a controlled atmosphere until the glue is cured.

The columns shall be CCA pressure treated to a .40 retention factor, a minimum of 12" above the ground line on the ground contact end. The columns shall meet the following test standards; A.I.T.C. T107, T110, T114 and A.S.T.M. D905-49.

**Finger Jointed
Treated to
Untreated**

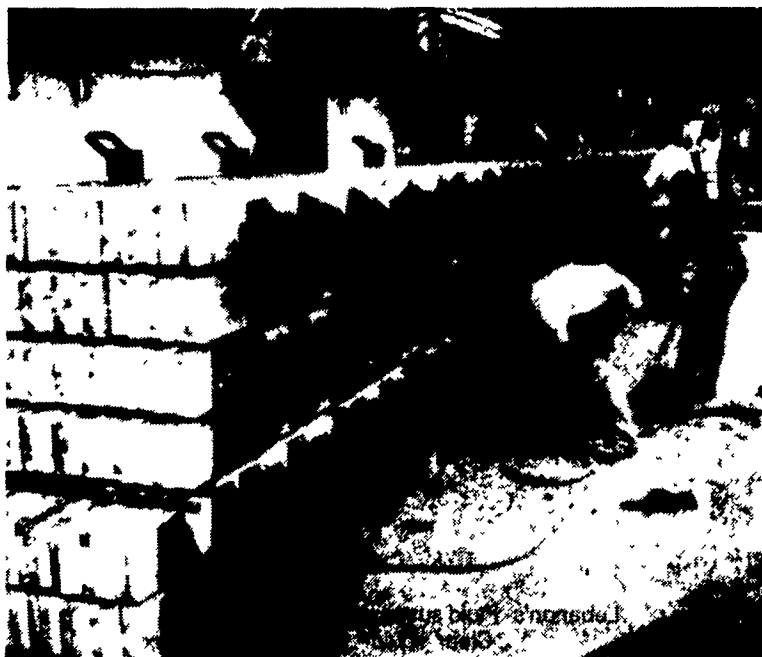
**For Straight,
High Side Walls**

**A VERSATILE BUILDING
FOR A UNIQUE PURPOSE**



More Useable Space

**Gluing Wood Together For
More Than 30 Years -
Our Aim Is To Market And Service
A Quality Product For Our Customers**



**GLU-LAM POSTS - Manufactured In Our
Richland, PA Plant.**

One Piece Lengths To 68 Feet.

**A NEW PRODUCT TO MEET THE NEED
AND REQUIREMENT OF A STRONGER**



QUALITY BUILDING

CALL (717) 866-6581



UNI-FRAME ARCH 30'x48' 8/12

