



# FORAGE Or BOX

**WAIVER OF FINANCE TIL APRIL 1, 1987**

- 0% FINANCING For 12 Months
- 5.9% FINANCING For 24 Months
- 8.9% FINANCING For 36 Months

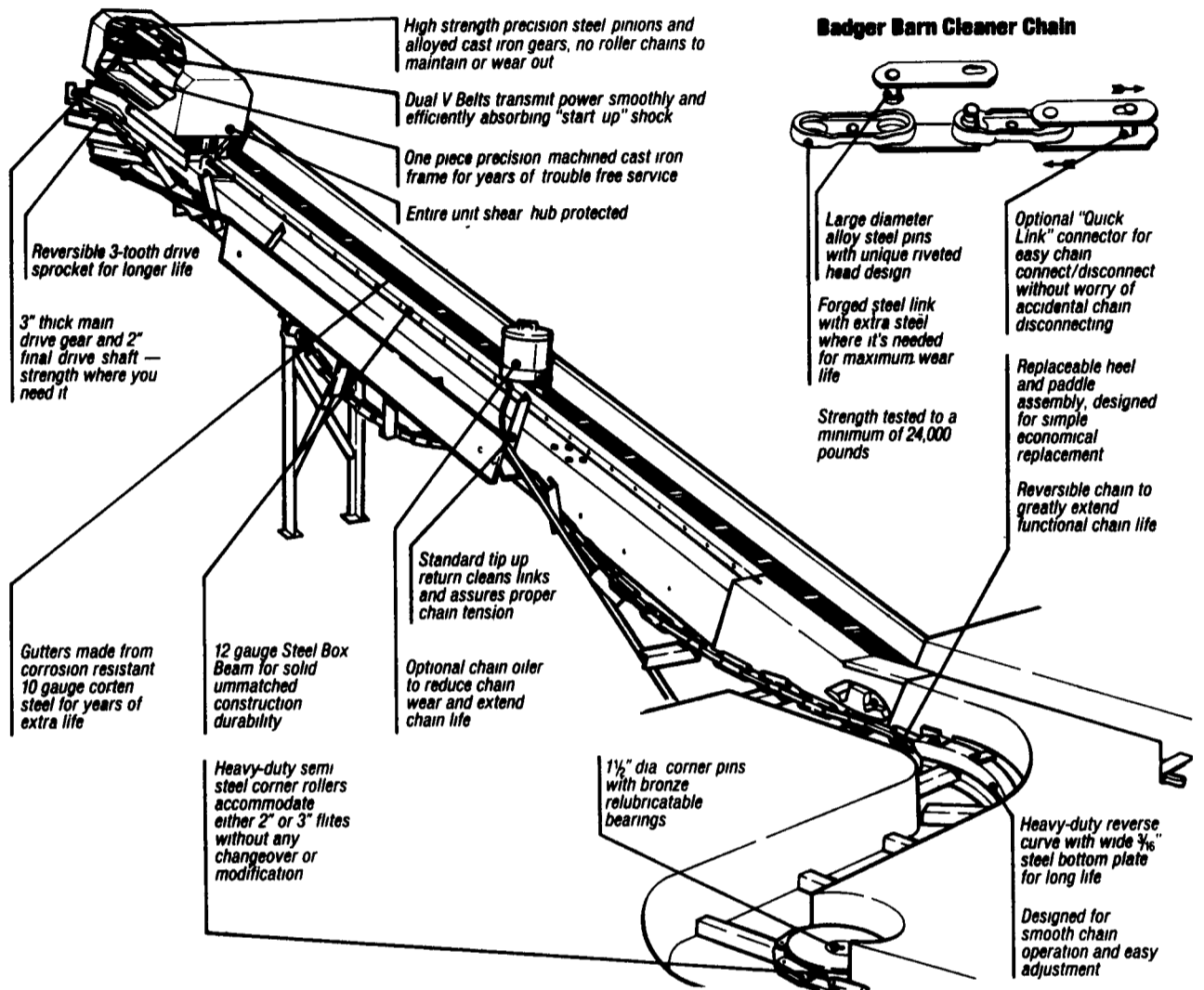
**BADGER TAKES CARE OF ALL TYPES OF MANURE HANDLING NEEDS**

# Badger Barn Cleaners

**Put our years of barn cleaner experience to work on your farm**

No one has more experience in the design and installation of barn cleaners than Badger. Badger Barn Cleaners can be customized to match your barn's needs and layout. They are engineered to be farm tough, from the rugged and economical transmission and motor, to the chain itself. Tested to a minimum of 24,000 lbs., its unique design features Badger's timesaving "Quick Link" connector. A simple tap of a hammer quickly connects and disconnects the link — but only when you want it to!

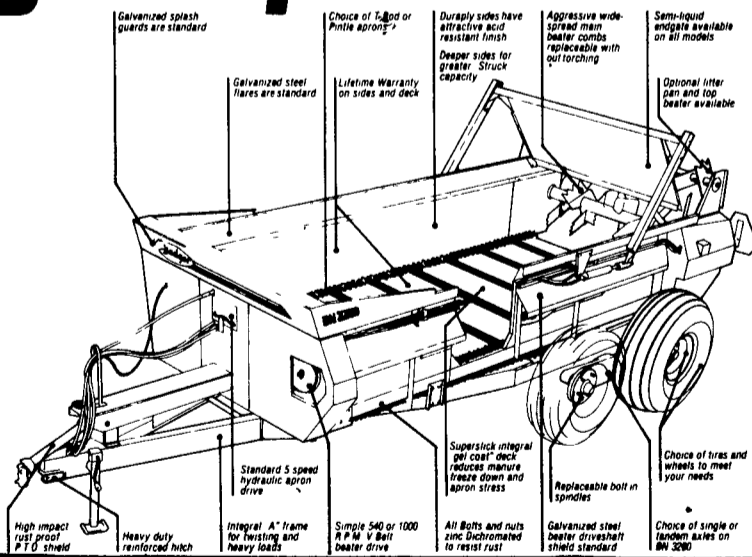
Check and compare Badger's superior features. You'll find that when it comes to barn cleaners, nothing beats a Badger for long life, smooth operation and energy efficiency.



# Badger Spreaders

**It's our bread and butter!**

— you know our "Bread and Butter" and for over 37 years we have researched, designed, built and tested nearly every type of equipment to move, lift, carry, pump, inject and spread manure. That's more background and experience than anyone in the industry! Badger Northland knows how to build Spreaders —



**FIVE MODELS AVAILABLE. IN FOUR SIZES TO FIT YOUR NEEDS!**

**WE OFFER A FULL LINE OF EQUIPMENT WITH FINANCING OR LEASING**

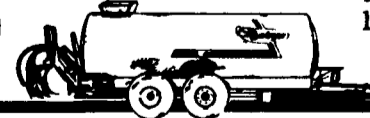
# Badger High Capacity MANURE AUGER

- For handling wet, sloppy manure.**
- 15" diameter heavy wall PVC pipe won't rust or corrode
  - Heavy-duty drive frame with double reduction drive for extra strength
  - High capacity 13 1/4" auger
  - Designed for minimum maintenance, long service-free life



# Badger Liquid Spreader Tanks now built with CORTEN Steel

- Better Than 1/2" Mild Carbon Steel**
- 20% stronger
  - up to 8 times more corrosion resistant
  - 10% lighter in weight
  - retains its "new" look much longer



**CALL YOUR LOCAL DEALER FOR ALL YOUR EQUIPMENT NEEDS**

<p><b>*BHM FARM EQUIP. INC.</b> RR 1 Annville, PA 17003 PH: (717) 867-2211</p>	<p><b>PIKEVILLE EQUIPMENT INC.</b> RT 2 Oley, PA 19547 PH: (215) 987-6277</p>	<p><b>WILLIAMS FARM SYSTEMS</b> RR 1, Box 324 Linden, PA 17744 PH: (717) 398-0829</p>	<p><b>C. PAUL FORD &amp; SON</b> RT 1 Everett, PA 15537 PH: (814) 652-2051</p>	<p><b>MELVIN G. MILLER</b> RT 2 Spring Mills, PA 16875 PH: (814) 422-8279</p>	<p><b>HEFLIN SALES &amp; SERVICE</b> 12312 Oak Hill Rd. Woodsboro, MD 21798 PH: (301) 898-3233</p>
<p><b>*CHIDESTER FARMS</b> RD 2, Box 75 Kingsley, PA 18826 PH: (717) 289-4260</p>	<p><b>McMILLEN BROS.</b> RR 1 Loysville, PA 17047 PH: (717) 789-3961</p>	<p><b>TROY MOTORS CO.</b> Troy, PA 16947 PH: (717) 297-3674</p>	<p><b>CARYLE GRIMM</b> Bridgewater, VA 22812 PH: (703) 828-3626</p>	<p><b>LEONARD WORK</b> RR 3 Brookville, PA 15825 PH: (814) 849-3361</p>	<p><b>FANCY FURROW FARMS AG EQUIP., INC.</b> RR 1, Uhler Rd Easton, PA 18042 PH: (215) 252-8828</p>
<p><b>RALPH KETTERER</b> Deep Run Box 98 Rt 1 Perkasie, PA 18944 PH: (215) 766-8531</p>	<p><b>SHOW EASE STALL CO.</b> 573 Willow Rd. Lancaster, PA 17601 PH: (717) 299-2536</p>	<p><b>HONESDALE SPREADING SERVICE INC.</b> 505 Cliff St. Honesdale, PA 18431 PH: (717) 253-2410</p>	<p><b>HESS' EQUIPMENT</b> Sales &amp; Service RR 3, Mifflinburg, PA 17844 PH: (717) 966-2720 966-1998</p>	<p><b>WOLFE'S BADGER SALES</b> RR 1 Box 420 Milton, PA 17847 PH: (717) 524-0931</p>	<p><b>CECIL DAIRY STORE</b> RR 1 Rt. 274 1/2 Mi. South Rising Sun, MD 21911 PH: (301) 658-6923</p>

\*NEW DEALERS