

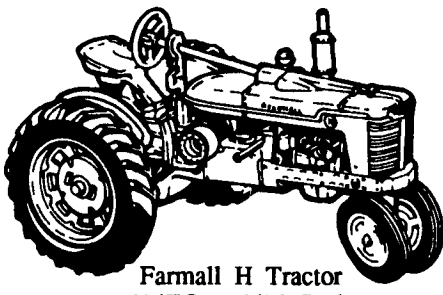


It's toy time at BINKLEY & HURST BROS., INC.

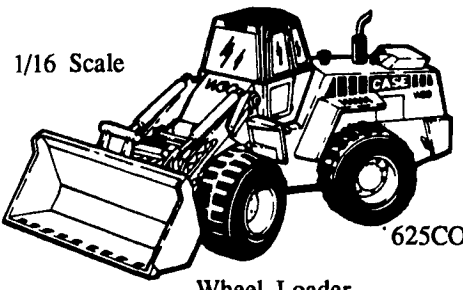
**PARTS VALUE
OF THE MONTH.**

In Time For Christmas

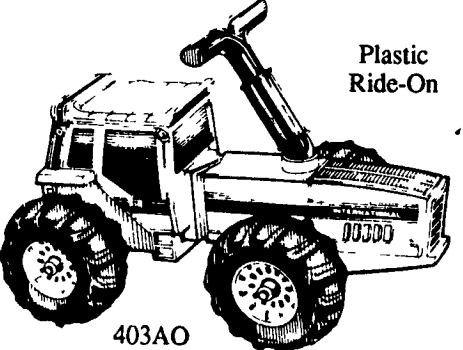
Year-End Toy Specials



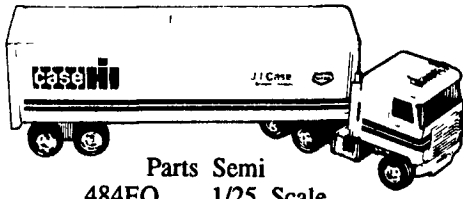
Farmall H Tractor
414EO 1/16 Scale



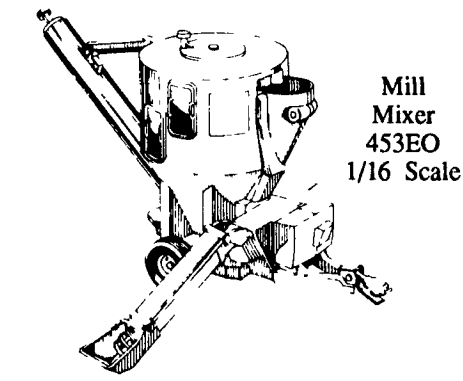
Wheel Loader
625CO



Plastic
Ride-On
403AO



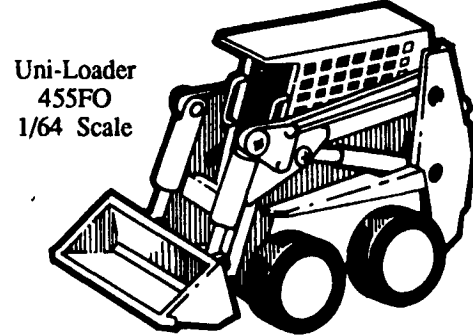
Parts Semi
484EO 1/25 Scale



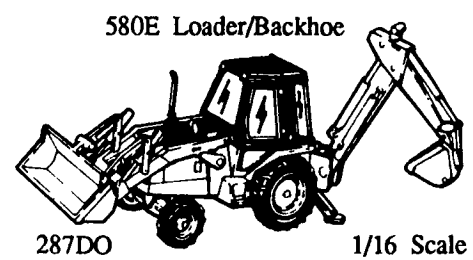
Mill
Mixer
453EO
1/16 Scale

STOCK NO.	DESCRIPTION	DISCOUNT SALE PRICE
631DO	1/16 Case IH 2394 Tractor (Limited Qty.)	\$26.25
206DO	1/16 Case IH 4994 Tractor	\$23.95
266DO	1/16 Case 3294 Tractor	\$23.25
267DO	1/16 Case 2594 Tractor	\$23.25
289EO	1/16 Case 600 Tractor	\$10.25
409DO	1/16 IH 5488 Tractor	\$23.25
414EO	1/16 Farmall H Tractor	\$10.95
415EO	1/16 Rowcrop Tractor	\$ 5.75
418EO	1/16 Farmall 350 Tractor	\$10.25
463DO	1/16 IH 1586 Tractor	\$12.50
464DO	1/16 2+2 Tractor	\$23.20
600DO	1/16 Case IH 2594 Tractor	\$23.25
601DO	1/16 Case IH 3294 Tractor	\$23.25
209EO	1/16 Forage Harvester	\$ 9.90
350EO	1/16 Gravity Feed Wagon	\$ 9.95
439EO	1/16 Bale Throw Wagon	\$ 8.25
442EO	1/16 Forage Wagon	\$ 9.50
446EO	1/16 Hay Rake	\$ 8.49
453EO	1/16 Case IH Mixer Mill	\$10.25
479EO	1/16 Barge Wagon	\$ 5.25
492EO	1/16 Spreader	\$ 5.40
1217	1/16 Disc	\$ 7.95
498DO	1/16 Tillage Plow	\$10.25
454EO	1/16 Case IH Baler	\$ 9.95
200DO	1/32 Battery 4-WD Tractor	\$13.95
222EO	1/32 Case IH 4894 Tractor	\$ 9.85
261EO	1/32 Case 2294 Tractor	\$ 7.95
443DO	1/32 Case IH Combine	\$20.75
**455FO	1/64 Case Skidloader	\$ 3.25
1307FO	1/64 Tractor & Wagon Set	\$ 2.75
*214AO	Case Riding Trailer	\$19.10
*263AO	Case Riding Tractor	\$91.40
*451AO	IH Riding Trailer	\$19.10
*404AO	IH Riding Tractor	\$91.40
*403AO	Plastic Ride-On Tractor	\$15.25
450EO	1/16 Case "L"	\$11.75
437EO	1/16 Farmall F20 Tractor	\$11.75
619DO	1/16 Case IH 7130 FWDA Tractor (New)	\$25.25
620DO	1/16 Case IH 7120 Row Crop Tractor (New)	\$25.25
458FO	1/64 Case IH 7130 2WD Tractor (New)	\$ 1.90
460FO	1/64 Case IH 7130 2WD w/Loader (New)	\$ 2.85
608CO	1/16 Case Bulldozer	\$17.50
636BO	Giant Forage Wagon	\$10.50
202EO	1/64 580E Loader Backhoe	\$ 3.75
287DO	1/16 580E Loader Backhoe	\$21.95
201FO	Mini Forage Harvester	\$ 1.70
204FO	Mini 2594 Tractor w/Duals	\$ 1.90
205FO	Mini 3294 Tractor w/FWA	\$ 1.90
212FO	Mini Tractor w/Loader	\$ 2.60
224FO	Mini Case 2594 Tractor	\$ 1.65
227FO	Mini Case IH 2594 Tractor	\$ 1.65
408EO	Mini IH Combine	\$ 4.25
478FO	Mini Case IH Planter	\$ 1.70
482FO	Mini Case IH Baler	\$ 1.70
480FO	Mini Case IH Mixer Mill	\$ 1.60
1002FO	Mini Sprayer	\$ 1.60
603FO	Mini Hay Wagon	\$ 1.60
604FO	Mini Machine Trailer	\$ 1.60
1526EO	Mini 2+2 Tractor	\$ 3.45
1550FO	Mini Amonia Tank	\$ 1.50
1862FO	Mini Disc	\$ 1.60
1863FO	Mini Tillage Plow	\$ 1.60
1864FO	Mini Gravity Wagon	\$ 1.60
1999FO	Mini Forage Wagon	\$ 1.60
2510EO	1/43 Case 500	\$ 3.75
2513EO	1/43 Farmall 300 Tractor	\$ 3.75
4091EO	IH Pow-R-Pull	\$ 2.65
474EO	Hauling Set w/224 & 1797	\$ 8.75
483EO	1/64 Parts Semi	\$ 6.40
484EO	1/25 Parts Semi	\$12.10
485DO	1/16 Steel Pick-up	\$10.75
1236EO	Equipment Hauling Set	\$ 8.95
433DO	New Mini 6 pc. Set	\$ 9.45
216EO	Case Bank	\$ 9.95
**699EO	Case Bank	\$ 8.75
213CO	Case Antique Tractor Set	\$14.95
603CO	Farmall Antique Tractor Set	\$14.95
2527EO	1/43 McCormick Deering	\$ 3.75
645EO	Implement Hauling Set (1/64)	\$ 5.25
646EO	Grain Truck	\$ 7.50
647EO	Fertilizer Truck	\$ 5.25
648EO	Milk Tank Truck	\$ 5.25
625CO	1/16 Case Wheelloader	\$19.75
4096EO	1/32 Case IH 2294 Friction	\$ 6.98

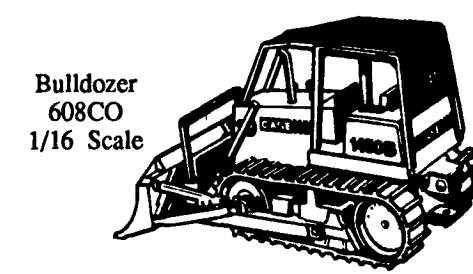
* Unassembled ** New Items - Coming Soon



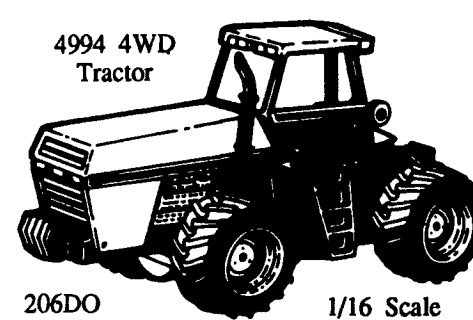
Uni-Loader
455FO
1/64 Scale



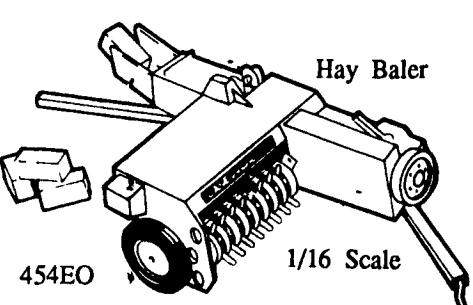
580E Loader/Backhoe
287DO 1/16 Scale



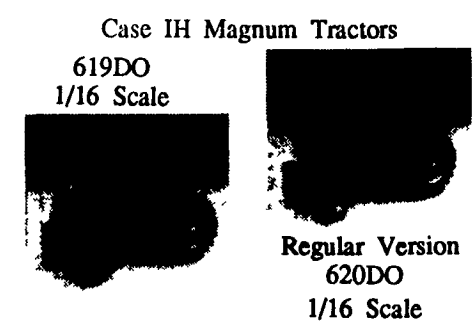
Bulldozer
608CO
1/16 Scale



4994 4WD
Tractor
206DO 1/16 Scale



Hay Baler
454EO 1/16 Scale



Case IH Magnum Tractors
619DO
1/16 Scale

Regular Version
620DO
1/16 Scale

**ATTENTION
COLLECTORS**

While They Last

- 580B Loader Backhoe \$95.00 ea.
- 1412 Case David Brown \$35.00 ea.

Prices Effective Till Dec. 31, 1987

**BINKLEY & HURST
BROS. INC.**
133 Rothsville Station Rd. • Lititz, PA 17543
Phone: 626-4705