

**RUBBER MATTING AND USED BELTING**

- COMFORT STALLS
  - HORSE STALLS
  - HOG PENS & HOUSES
  - FREE STALLS
  - CATTLE & HORSE TRAILERS
- All Sizes Available & Custom Cut  
Phone 301-885-5045

**FALL SPECIAL**

**4 UNIT PIPELINE FOR 40 STALLS**

- Includes:**
- 200' 2" S.S. Milk Line & 2" PVC Vacuum Line
  - 5 H.P. Vacuum Pump w/Tank
  - DeLaval Dellatron II Pulsators
  - DeLaval Super Flo Vu Claw
  - Automatic Washer
- All New, Quality Equipment*

**\$7,995<sup>00</sup>\***

**INSTALLED & READY TO MILK**

\* Price may vary according to number of stalls & milkhous location.



**FULL SERVICE DEALER FOR**

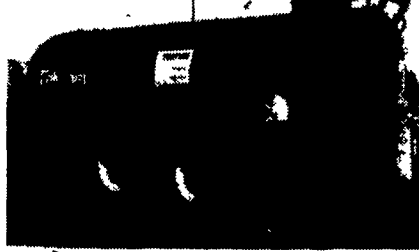
- Parlors
- Pipelines
- Bucket Systems
- Rationmaster Feeding Systems

**J.B. ZIMMERMAN & SONS**

**LANCASTER CO.**  
West of Blue Ball, PA on Rt. 23  
PH: 717-354-4955  
Salesman: Ralph Stoltzfus  
Home Ph: (717) 859-3119

**LEBANON & DAUPHIN CO.**  
Salesman: Arthur Dows  
Home Ph: (717) 944-6034

Radio Dispatched Trucks  
Route Trucks To Serve Your Area



**NOW AVAILABLE**

**TANKS IN STAINLESS STEEL**  
For Sale Or Lease

- Spreader Tanks - 2250 Thru 6500 Gallons
- Vacuum Tanks - 1500 Thru 4500 Gallons
- Earthen Pit Pumps
- Vertical Shaft Pumps
- Truck Mount Tanks - 2250 Thru 4500 Gallons
- Propeller Agitator
- Replacement Vacuum Pumps - 177 Thru 353 CFM's

**Used Equipment**

- Nesseth 3 pt. Hitch Open Pit Pump
- Calumet 1600 Gal. Truck Mount Vacuum Tank (Ideal for septic hauling)
- Calumet 25 Ft. Lagoon Pump

**SPREADER TIRE SPECIAL**  
16.5x16.1, 10 Ply..... \$145.00 ea.  
F.O.B. Mifflinburg

**F. ERNEST SNOOK**

RD 3, Box 84, Mifflinburg, PA 17844  
PH: (717) 966-2736  
"WE'RE HERE TO SERVE YOU"

**FALL HARVEST SPECIAL**

**NEW BOU-MATIC 2" STAINLESS STEEL PIPELINE FOR ONLY \$7,926.00**



**Includes:**

- 4 Complete FLO-STAR MILKERS With VISI-SHELLS...

*Proven The Best Milker Available Today*

- 5 HP - 115 cfm vacuum pump... can handle 6 milkers.
- Vacuum filter, balance tank, regulator and 20 stallcocks.
- 2" glass receiver panel, control panel, automatic washer, diverter valve and safety switch.
- 37" stainless steel wash tub w/legs, filter spring and filter dispenser.
- 200' 2" stainless steel, 20" 1/2" stainless steel, fittings and gaskets.
- Financing available.

Price Quoted Is For A Standard 40 Stall Barn With The Milkhouse On One End.  
Not Included: Wiring, Installation, Vacuum Line And Supports.

**LANCASTER DAIRY FARM AUTOMATION, INC.**  
Manheim, PA (717) 665-7300



A 1st Class Team Together For 20 Years!



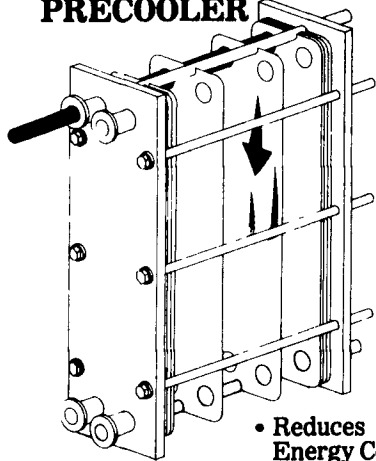
**RUFUS BRUBAKER REFRIGERATION & MUELLER Dairy Farm Equipment**

**OFFER**

**TWO WAYS TO "PRECOOL" MILK**

**One With Water**

**MUELLER ACCU-THERM™ PRECOOLER**



- Reduces Energy Cost
- Flexibility
- Low Maintenance
- Pays For Itself



**One With Freon**

**MUELLER REFRIGERATED RECEIVER**



**PRE-COOLING DOES MAKE A DIFFERENCE!**

Isn't it time for you to join the growing number of dairymen testifying to the improvement the Refrigerated Receiver has made in their operations!

**take a closer look!**

**MUELLER HiPerForm**



- HiPerForm Refrigeration Control
- Mueller Matic Washing System
- Flashing Alarm Light When Milk Is Too Warm or Too Cold
- There's Just No Substitute for a HiPerForm Milk Tank!

**USED TANKS**

Large Selection Of Good Used Tanks In Stock All Guaranteed

**MARTIN'S REFRIGERATION, INC.**

Phone (717) 352-2783 Sales & Service

1122 Woodstock Rd. Fayetteville, Pa 17222

**MAIN OFFICE**

614 Penryn Rd.  
Manheim, Pa. 17545  
**717-665-3525**  
Ken or Ed Brubaker

**Northern Service Center**  
RD 1, Box 199  
Myerstown, Pa.  
**717-933-4711**  
Ken Kopp

**Southern Service Center**  
468 Dry Wells Rd.  
Quarryville, Pa.  
**717-786-1617**  
Vic Leininger

\* 24 Hour Service IN S.E. PA, S. Jersey, Delaware N.E. And Eastern Shore Maryland!

\* Call Today For All Your New or Used Milk Tank And Refrigeration Equipment Needs!