

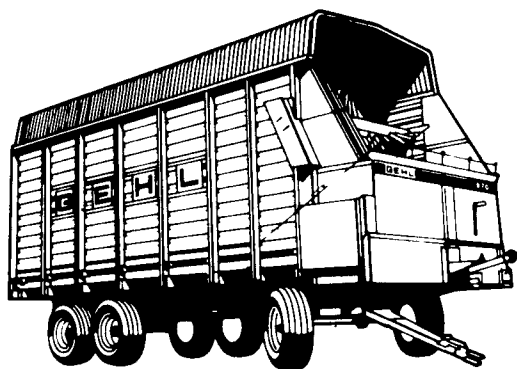
# GEHL®

## Gehl 970 Forage Boxes

In Stock - Even Flow Top Beater & Roof - Choice of Demco & Knowles Quality Gears.

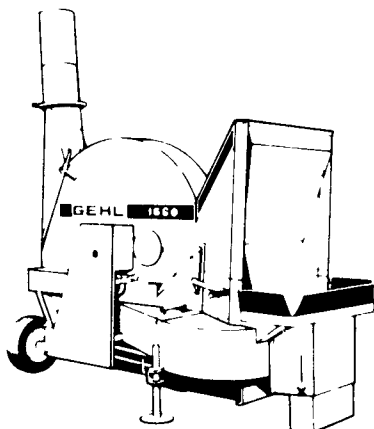
See us Now - You Will Be Glad You Did!

Up to 20% faster unloading



More speed Greater capacity And a price you can't beat anywhere Good reasons to invest in a new Gehl 970 Series self-unloading forage box. Look at all you get a 10-year warranty on sides, endgate stakes and platform new Even-Flow third beater wide 23-1/2-inch cross conveyor and two-speed worm gear drive The 970 comes in five capacity sizes from 397 cu ft on the 14-foot model up to 750 cu ft on the 18-foot model See one today!

## Unparalleled Performers



The ultimate forage blowers are here - the Gehl 1540 1560 and 1580 These blowers have been developed around the high capacity tradition of famous Gehl blowers In addition to unmatched capacity these blowers boast many convenience features - swing-away blower outlet removable tunnel covers replaceable rim sheet liner adjustable left axle quick-adjust air vents PTO storage hanger and more PUT A GEHL BLOWER TO THE TEST ON YOUR FARM TODAY!

Find Out Who Won The **"Battle Of The Blowers"** Give Denny a call - he has the answer Umberger's everyday low prices on blowers. Example:

Gehl 1540 Blower w/HD PTO Shaft

Now Less Than  
**\$2,500.00!**

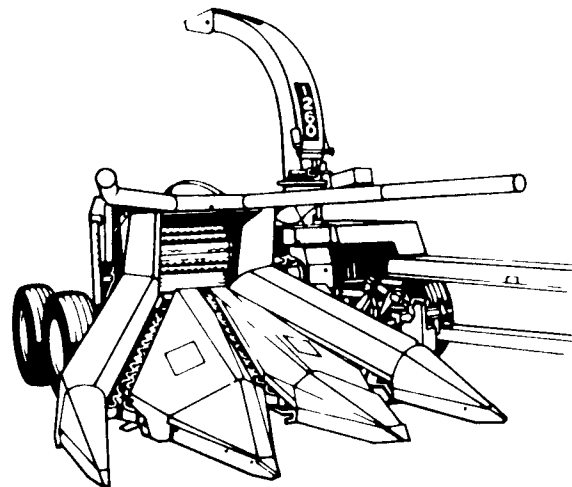
## Gehl CB1260 Forage Harvester

w/AutoMax - no shear bolts

Metal Stop  
Hyd. Tongue  
Tandem Wheels  
Electric Controls  
Up To 300 HP Gearbox

Now Only:  
**\$16,854.00**  
For The  
#1 Chopper

## A Generation Ahead!



Gehl's super-capacity 1260 forage harvester is designed for tractors up to 300 hp Exclusive Auto-Max system lets you chop to capacity without worrying about plugging Features include load sensors, speed monitor, one-side cutter-bar adjustment, in-head hydraulic knife sharpener, plus optional metal detector, haylage water tank and tandem axles Ahead of any other pull type on the market!

## Handles all kinds of manure—liquid, semi-solid, pen packed, even frozen

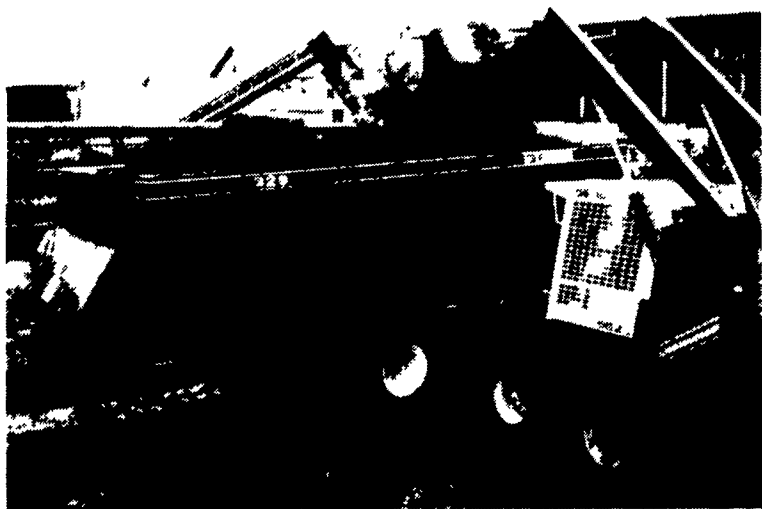
Model MS309  
912 gal./192 bu.

Model MS312  
1375 gal./260 bu.

Model MS315  
1621 gal./345 bu.

Model MS322  
2476 gal./468 bu.

Model MS329  
3188 gal./596 bu.



The New 300 Series Scavenger Spreaders Are Here!

Pick the Size You Need - Give Us A Call

If you are tired of repairing that web chain, the 300 Series is the most machine for your money.

Special Mention Just Traded Hedlund Martin 1263 222 Bu. Scavenger Manure Spreader

Special Mention Late Model Gehl 4500 Skid Loader 1983 Model, Very Good.

### We Stock Gehl Skid Loaders

Example:  
Gehl 3310 Gehl 4610 44 HP  
Gehl 3510 Diesel Hydrostatic  
Gehl 3610 Skid Loader Demo  
Gehl 4610 1000x16.5 Tires

Now Only **\$10,700**

We Are The Gehl Dealer: Who has sold and serviced Gehl equipment for more than 22 years.

Who stocks a good balance of new Gehl equipment and Gehl parts.

Who has the ability to serve surrounding Gehl dealers with backup Gehl parts stock.

\* Who offers a 3% cash discount on parts all year long (that's like open house every day)

Who can send parts by UPS, Next Day Air Parcel Post, Freight Truck, Etc.

# GEHL®

We may not be the biggest but **NEITHER** are our prices

Investing today in the future of agriculture

# GEHL

## UMBERGER'S OF FONTANA INC.

Rt. 4, Box 545, Lebanon, PA 17042  
8 miles E. of Hershey on Rt. 322 - 717-867-5161  
"Serving The Agriculture Community Since 1932"

\* Total parts purchase must exceed \$25.00 total