

# Mohr Earns Holstein Champion Titles A+ Bedford Junior Dairy Show

BEDFORD — Jimita Sexy Liana, a four-year-old sired by Ocean-View Sexation, earned senior and grand champion titles for 18-year-old Becky Mohr of Bakers Summit in the Holstein division of the Bedford County Fair's Junior Dairy Show here last week.

The honors capped a good day for Mohr as she also picked up the reserve junior champion title with a summer yearling heifer, A-K-Mohr Balian Margo, and won first place with her daughter and dam pair. Approximately 35 head competed in the Holstein event.

Ann Baker of Bedford exhibited the reserve senior and reserve grand champion, three-year-old Allenor Citation Lin. Brandon

Snider of New Enterprise took the reserve junior champion honor with a senior yearling.

Dennis Wolfe of Millville evaluated the 100-head junior show.

Julie Snider of New Enterprise earned the grand champion Guernsey title for her senior champion, three-year-old Sniders Fayvors Flora, while Beth Clark of Bedford walked her aged cow, M.M. B.T. Cappy, to the reserve senior and reserve grand champion positions. Clark added to her winnings with the junior champion, a junior yearling, and showed her daughter and dam pairs to first and second slots.

In Red and White competition, a four-year-old showing dry topped the show for Kimberly Truax of



Pacing the Holstein division in the Junior Dairy Show was Becky Mohr of Bakers Summit, showing the grand champion. Dairy Princess Cathy Alt presented her trophy, as well as the prize for reserve grand champion Holstein to Ann Baker of Bedford.

Everett. Duvalley Chiefton Kate also was selected senior champion.

Kimberly's sister, Julie, stood in with the reserve senior and reserve grand, an aged entry, Pinelee E-D Ethel. Junior-age purples in the Red and Whites were shared by brothers Bryan Ickes of Osterburg with his intermediate yearling heifer, the junior champion, and Robbie Ickes followed with the

reserve junior champion, a summer yearling.

Janelle Koontz of Bedford campaigned her intermediate yearling heifer, Stan-Els Samson Sweet Potato, to the junior and grand championships in the Jersey division. Dale Pheasant of Williamsburg exhibited his four-year-old, Spring Brook Soldiers Suse, to the senior champion title, then picked

up the reserve grand. Pheasant also gained the reserve senior champion with a three-year-old while Joe Kelly of Woodbury took a senior calf to the reserve junior championship.

Perennial Ayrshire winner Linette Diehl of Bedford continued her winning way as C.C. Cathy, a senior two-year-old, was

(Turn to Page D10)



Julie Snider of New Enterprise (left) marched her Guernsey three-year-old to the grand championship in the Junior Dairy Show.

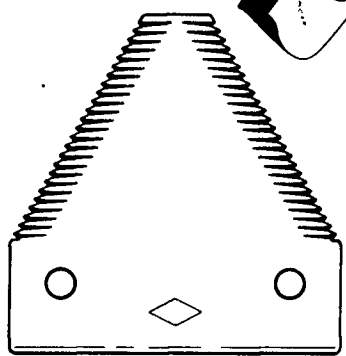
## PARTS VALUE OF THE MONTH

# HARVEST SPECIAL

REAP A HARVEST OF SPECTACULAR SAVINGS

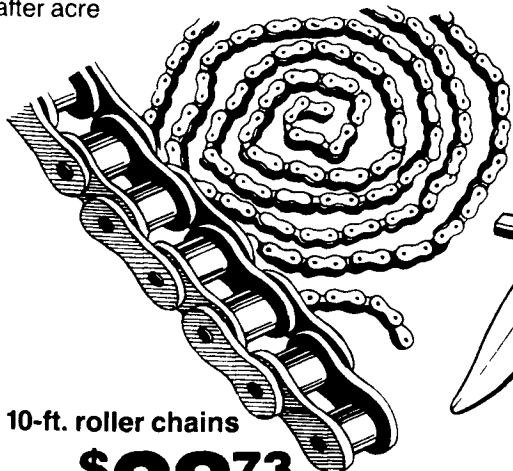
Get your equipment ready for a problem-free harvest and save money while you're doing it. Right now you'll save on all of your harvest parts needs. We call it our Harvest Special, and it'll bring you spectacular savings on sections, chains, guards, and more!

In addition to cash savings right now, you'll harvest long-term savings because Case IH parts are made with the quality you can count on acre after acre.



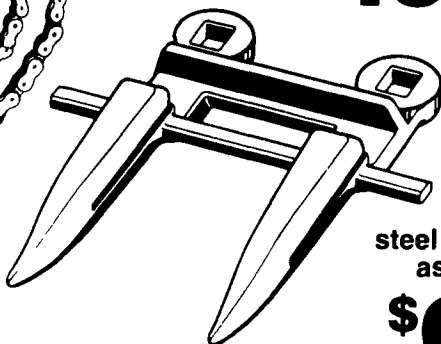
Diamond Sta-Sharp sections  
as low as

**49¢**



10-ft. roller chains

as low as **\$28<sup>73</sup>**



Forged  
steel guards  
as low as

**\$6<sup>12</sup>**

**case ih**

Reap a harvest of spectacular savings. See us now!

## PLEASE CONTACT YOUR PARTICIPATING DEALER

### PA DEALERS

**BETHEL**  
Zimmerman  
Farm Service  
717-933-4114

**ELIZABETHTOWN**  
Messick  
Farm Equip.  
717-367-1319

**HANOVER**  
Melvin J. Sheffer,  
Inc.  
717-637-3808

**IVYLAND**  
Wm. Hobensack's  
Sons  
215-675-1610  
215-343-2101

**KITTANNING**  
W.C. Crytzer Eq.,  
Inc.  
412-543-2441

**LITITZ**  
Binkley & Hurst Bros.  
717-626-4705

**McALLISTERVILLE**  
Inch Equipment Co.  
717-463-2191

**NEW BERLINVILLE**  
Erb & Henry  
Equip., Inc.  
215-367-2169

**NEW RINGGOLD**  
Eckroth Bros.  
Farm Equip.  
717-943-2131

**QUARRYVILLE**  
A.L. Herr & Bro.  
717-786-3521

**RINGTOWN**  
Ringtown Farm Co.  
Equipment  
717-889-3184

**SPRING MILLS**  
C & P Fultz  
Equipment  
814-422-8805

**TITUSVILLE**  
Sanford Equip. Co.  
814-827-1814

**TURBOTVILLE**  
Coopers Hdwe., Inc.  
717-649-5115  
1-800-441-FARM

**UNION CITY**  
Kafferlin Sales &  
Service  
814-438-7636

### NJ DEALERS

**FREEHOLD**  
Coastline Equip. Inc.  
201-780-4600

**SHILOH**  
Farm-Rite Inc.  
609-451-1368

**VINELAND**  
Tri County Equipment  
609-697-1414