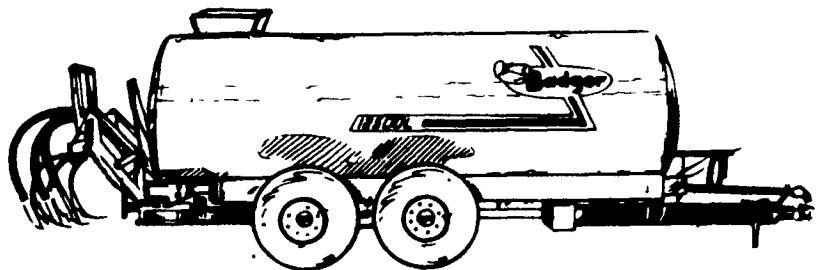


# Badger SEE THIS EQUIPMENT ON DISPLAY AT AG PROGRESS DAYS

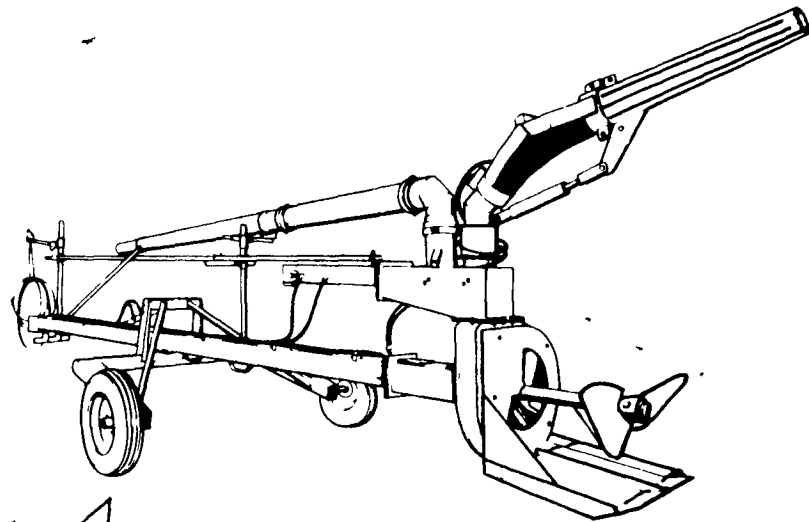
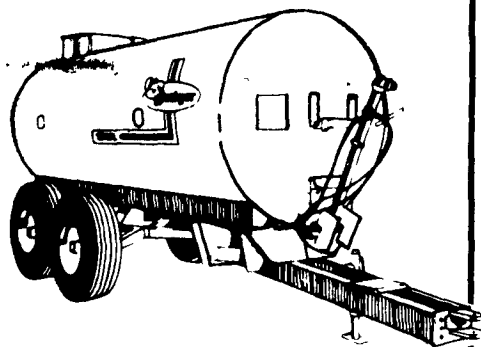
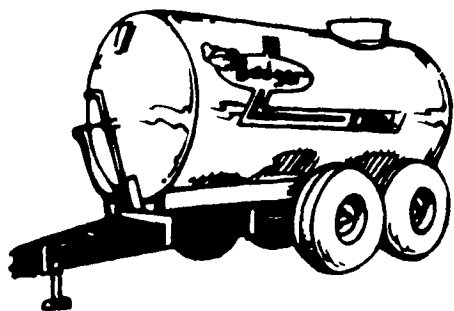
**NOW!**  
built with **COR-TEN STEEL**

## Liquid Spreader Tanks now built with COR-TEN Steel



Better Than 1/4" Mild Carbon Steel

- 20% stronger
- Up to 8 times more corrosion resistant
- 10% lighter in weight
- Retains its "new" look much longer
- 10-year limited warranty
- From 1500 to 3350 gallon capacity
- Three, four, or five-shank injectors available
- 540 or 1000 RPM
- Direct drive heavy-duty PTO
- Heavy T-frame draw bar
- Walking tandems standard



**NEW**

## Badger BN185 Souper Trail Pump/Agitator

- Up to 26,000 GPM agitation capacity
- Standard 28 foot length extendable to 38 feet for really big lagoons
- Choice of cutter blade or propeller options to match biggest agitation needs
- Exclusive internal shear bar chops even straw-laden manure
- Semi-cupped impeller paddles for high capacity pumping

# Badger

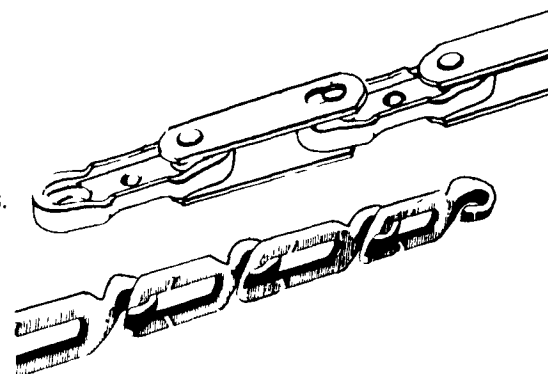
*Now Offering  
The Two  
Best Chains  
You Can Buy!*

### Duraforged Chain

- Unique system of forgings and flat bar links joined by large diameter alloy steel pins
- Heel and paddle assembly designed for simple and economical replacement
- Reversible to greatly extend chain life
- Optional "Quick Link" connector for fast assembly/disassembly without the worry of accidental uncoupling
- 10-year pro-rated warranty

### Hook Lok Chain

- Patented locking feature easily connects/disconnects only when you want it to
- Heat treated forging of high carbon steel - each link weighs over 2 1/2 lbs.
- 10-year pro-rated warranty
- Patented bolt on wear level and paddle assembly



**4 MONTHS WAIVER  
ON ALL FARMSTEAD  
EQUIPMENT**



# Badger

**WE OFFER A FULL LINE  
OF EQUIPMENT WITH  
FINANCING OR LEASING**

**FANCY FURROW FARMS  
AG EQUIP., INC.**  
RR 1, Uhler Rd  
Easton, PA 18042  
PH (215) 252-8828

**HOMESDALE SPREADING  
SERVICE INC.**  
505 Cliff St  
Honesdale, PA 18431  
PH (717) 253-2410

**MELVIN G. MILLER**  
RT 2  
Spring Mills, PA 16875  
PH (814) 422-8279

**TROY MOTORS CO.**  
Troy, PA 16947  
PH (717) 297-3674

**LEONARD WORK**  
RR 3  
Brookville, PA 15825  
PH (814) 849-3361

**HEFLIN SALES & SERVICE**  
12312 Oak Hill Rd  
Woodsboro, MD 21798  
PH (301) 898-3233

**CARYLE GRIMM**  
Bridgewater, VA 22812  
PH 703-828-3626

**HESS' EQUIPMENT  
Sales & Service**  
RR 3, Mifflinburg, PA 17844  
PH (717) 966-2720  
966-1998

**WILLIAMS FARM SYSTEMS**  
RR 1, Box 324  
Linden, PA 17744  
PH (717) 398-0829

**C. PAUL FORD & SON**  
RT 1  
Everett, PA 15537  
PH (814) 652-2051

**C & C FARMERS SUPPLY**  
RR 8 Box 4  
Harrisonburg, VA 22801  
PH (703) 433-8582

**McMILLEN BROS.**  
RR 1  
Loysville, PA 17047  
PH (717) 789-3961

**BHM FARM EQUIP. INC.**  
RR 1  
Annville, PA 17003  
PH 717-867-2211

**CECHL DAIRY STORE**  
RR 1 Rt 274  
1/2 Mi South Rising Sun, MD  
21911  
PH. (301) 658-6923

**SHOW EASE-STALL CO.**  
573 Willow Rd  
Lancaster, PA 17601  
PH (717) 299-2536

**PIKEVILLE EQUIPMENT INC.**  
RT 2  
Oley, PA 19547  
PH (215) 987-6277

**RALPH KETTERER**  
Deep Run Box 98 Rt 1  
Perkasie, PA 18944  
PH (215) 766-8531

**WOLFE'S BADGER SALES**  
RR 1 Box 420  
Milton, PA 17847  
PH. (717) 524-0931