

**2 FARM EQUIPMENT WANTED**

WANTED: NH 488 or 489 haybine. Ralph Bashore, RD2, Box 297, Millintown, Pa. 17059. 717-463-2628

WANTED: PTO air blower for high moisture shelled corn. 717-426-3135

WANTED TO BUY: 1,000 tobacco lath. Must be heavy lath in premium condition. Call Jim Stauffer, 717-656-2591, 7-9AM.

WANTED: Tractor mechanic's tool box w/ tools. Must be in good shape. 717-865-2529.

Wanted: 4-cyl Perkins diesel motor, model A-4-248. 215-583-0903.

Wanted: MF Wheel Rake, pull type. 717-483-6996.

**3 SILOS AND UNLOADERS**

**USED EQUIPMENT**

- 14 Ft. Van Dale Silo Unloader
- 14 Ft. Wooden Conveyor
- 20 Ft. Van Dale Mag. Patz Barn Cleaner, 12 Ft. Chute
- Roller Mill
- Ear Corn Mill
- 8 Ft., 9 In. Starline Metal Conveyor, 3 Mon. Old
- 5 & 7 1/2 HP Motors
- 20 Ft. Star Trac Ring Drive
- 14 Ft. U-Soligh Auger
- Used Starline Unloaders
- 5 & 7 1/2 HP Motors
- Farmaster Model 25 Mini Mixer w/Beam Scales
- Ring Drive Badger Unloader

**Dayton 24" Circulating Fans \$98 Ea.**

**SPECIAL New Fiber Funnels \$150 Ea. Cash & Carry**

Full Line Of New Equipment In Stock

10% Cash & Carry Discount On All Starline Parts



**DONALD R. NISSLEY**

RD #1, Willow Street, PA  
(Corner of Rt. 272 S. & Byerland Church Rd.)  
**(717) 786-7654**

Full Line Parts Department For Starline

**3 SILOS AND UNLOADERS**

25x80 Harvestore Silo, great value. 301-758-0381.

FOR SALE: 25x90 Harvestore. Will help remove. Delivery and financing help available. 717-748-8322 or 717-748-7376.

**MARTIN'S SILO REPAIR**

- Moving Concrete Stave Silos Also
- New & Used Extensions
  - Replastering
  - Fill Pipes
  - Distributors
  - Roofs
  - General Repair

Rt. 1 Box 315  
Denver, PA 17517  
**215-484-2517**

**DETWEILER SILOS**

- New Concrete Stave Silos  
New and Used Extensions  
All Types Silo Repair  
Teardown and Rebuild  
New and Used Silo Unloaders

Write or call:



RD #5, Box 676, Newville, PA 17241  
(717) 776-6321 • (717) 532-3039

**S & S SILO REPAIR WE DO**

- \* Most Any Kind of Stave Silo Work
  - \* Tear Down & Rebuild Stave Silos
  - \* Shotcrete Relining
  - \* New & Used Extensions
  - \* New & Used Roofs & Chutes
  - \* Unloaders
  - \* Wooden Calf Hutches
  - \* Fiberglass Feed & Silage Carts
  - \* Install Silage Distributors & Fill Pipes
  - \* Repair Level Flo Silage Distributors
  - \* Silo Doors - Most Any Kind
- We Buy Some Stave Silos

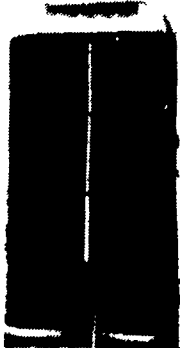
**SHOTCRETE RELINING**  
Repair Holes & Rough Silo Interiors. Make Your Old Silo Look Like New On The Inside.

We Cover A Wide Area

RD 2, Box 91A Honey Brook., PA 19344

**215-273-3993**  
**215-273-9211**

**UNADILLA WOOD SILOS Sales & Service Leasing Available**

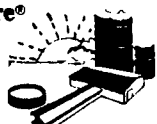


- Silo Roofing
- Wooden Silo Liners
- Distributors and Pipes
- Wood Feed Carts
- Hay Racks
- Silo Homes
- Used Silos When Available

12" Goosenecks Installed On Sealed Silos

**DANIEL S. STOLTZFUS**  
R.D. 2, Narvon, PA 17555  
**717-354-4374**

The Area's Independent Pre-Owned Harvestore® & Slurrystore® Systems Dealer  
**717-626-7456**



Having Problems With Your Steel Floor? Let Us Show You The Ultimate Solution!! = Epoxy Granite = or = Epoxy Sand =

The Replacement Floor With Twice The Durability And Life Span Of Steel At A Very Comparable Price

2090 Harvestore® w/Rebuilt Goliath® or New Laidig Unloaders New Rebuilt Kit Priced To Sell

Your Choice Of Unloaders Rebuilt Goliath™ or Hercules Laidig Forage Challenger

Structures In Stock - Ready For Delivery

Operating Capacity 543,180 Gallons

70x19 Slurrystore™ Side Mount Pump Like New Structure Used Very Little

Other Sizes Slurry Tanks In Stock Center Agitation System Available

Leasing Available Trade In Options

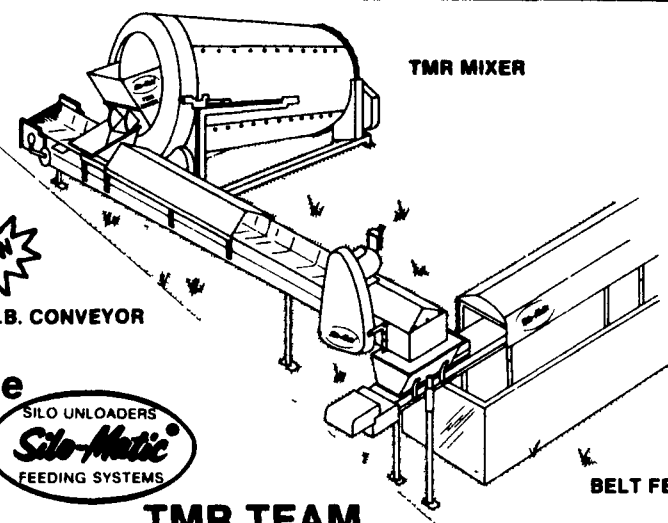
New \* New Configuration Stainless Steel Bushing Cutter Chains...48 Month Warranty \* Quality STAHL Mfg. Parts \* Rex Nord Chain & Sprockets

**We Warranty What We Sell**

Special 165 cu. ft. Steiner Tumble Mixer \$5800 1 Yr. Old Electronic Scales

PENNSYLVANIA AGRISYSTEMS

**PUT THE WINNING TEAM TO WORK FOR YOU THE SILO-MATIC CHAMPIONS**



**TMR TEAM**  
(Total Mixed Ration)



**(717) 776-3129**

**INDEPENDENT DEALERS WORKING TOGETHER**



Stop plugging!

Fill faster with Lancaster Level-Flo.

You can blow in as much as three tons of haylage a minute—over 100 feet up—with a new 12" center fill Gooseneck from Lancaster Level-Flo. High profile and 33% larger diameter reduce friction to make plugging a thing of the past. And the Lancaster Level-Flo 12" gooseneck is fully enclosed to make sure your silage and haylage go into your silo—not on the roof.



Now available at:

**COUNTRY AG SERVICE, INC.**  
Lititz  
215-267-2838

**BADGER'S AGRI SERVICE**  
Dillsburg  
717-432-8377

**BREHM'S AGRI SERVICE**  
Orangeville  
Restricted Service Area  
717-683-6208

- \* Harvestore® Unloader Parts And Service
  - \* Rebuilt Unloaders
  - \* Rissler Wooden Conveyors
  - \* Rissler Wooden TMR Mixers
  - \* Lancaster Level Flow 12" Goosenecks
  - \* Replacement Steel & Epoxy Floors
  - \* Over 42 Total Years Experience
  - \* The Only Authorized Quality (S) Stahl Mfg., Inc. Parts Dealers In The Area
  - \* New Supreme Power Sweep Unloaders
  - \* Rebuilt Harvestore® Structures
  - \* New \* Configuration Stainless Steel Bushing Cutter Chains 42 Mo. Written Warranty
- Not Affiliated With A.O. Smith Harvestore Products Inc.