

Jersey Heifer Tops Franklin County 4-H Sale

BY BONNIE BRECHBILL
Franklin Co. Correspondent
MARION — A Jersey heifer topped the Franklin County 4-H Calf Sale April 10 selling for \$1,600. Consigned by Tina Martin, Chambersburg, the 9-month-old calf was sired by Milestone Zorro. The calf's dam, Ruperts Promoter Floe, received first place in the 1987 Pennsylvania State Farm Show aged cow class; first place in the 1984 Junior State Show 4-year-old class; and fifth place at the 1985 National Junior Show as a 4 year old. Her top record as a 3 year old in 382 days was 14,028 pounds of milk and 762 pounds of fat with a 5.3 percent test.

Fawn sold to James Heeter of High Spring Farm, Shade Gap. Second highest selling animal and top selling Holstein at the event was JCY Lee Ira. Bred and consigned by Jaye C. Young and J. Charles Young Jr., Greencastle, the Coldsprings Ira daughter sold

to Douglas Parsons of Blairs Mills for \$1,040. Her dam, JCY Elevation Lacy, a Round Oak Rag Apple Elevation daughter, classified GP-82. As a 2-year-old, in 256 days she milked 16,056 pounds of milk with 548 pounds of fat.

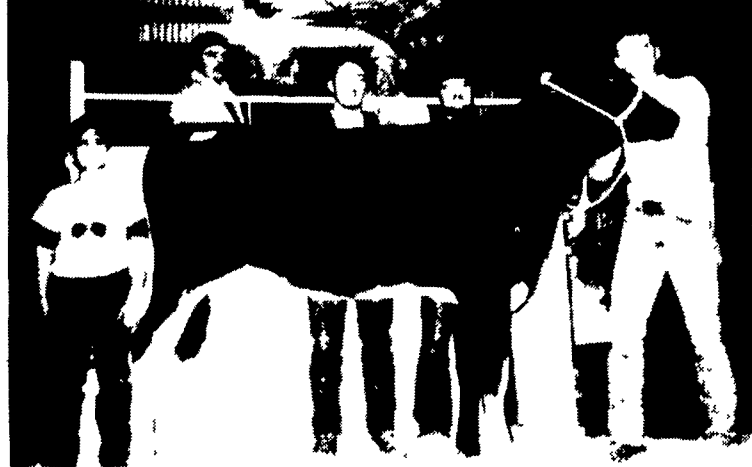
The sale averaged \$632.63 on 19

head of calves and young heifers.

Farmers and Merchants Trust, a Chambersburg bank, bought one of the calves for \$400 then donated it to the 4-H Club for resale. It brought \$520 the second time.

While the 4-H Dairy Club sponsors the sale, anyone may

consign and buy animals. Ten percent of the proceeds go to the 4-H Dairy Council. Ralph Horst, local auctioneer, donated his time and building for the benefit of the 4-H's.



The top Holstein sold for \$1,040 to Douglas Parsons (left). Jaye and Troy Young consigned the Ira daughter. Ryan Myers is on the halter. James Burdett (left in box) read pedigrees and Ralph Horst auctioneered the sale.



Pleasant Valley Zorro Fawn topped the Franklin County 4-H Calf sale with a bid of \$1,600. Chris Reichard (left) was the contender and James Heeter was successful buyer. Tina Martin consigned the Jersey calf. Lee Golden is on the halter. In front of the calf is Jason Heeter. James Burdette (left) and Ralph Horst are in the box.

Atlantic Dairy

Locals To Meet

SOUTHAMPTON — The Avongrove-West Chester and Coatesville Locals of Atlantic Dairy Cooperative District 15 will hold their annual dinner meeting April 21 at 7 p.m. at the West Fallowfield Christian Day School, Cochranville.

Daniel D. Plinski, general manager of Holly Milk Cooperative, will be the guest speaker. Plinski will explain Holly Milk's role in the Atlantic marketing system.

District 15 Director Harry L. Bickel will present 25-year membership awards to: Anthony J. and Elizabeth Dinunno, Thornton; Landis S. and Barbara J. Reid, Parkesburg; and Ben B. and Elizabeth Stoltzfus, Coatesville.



See Us For The
FINEST QUALITY SEEDS
At The
BEST PRICES

SOYBEANS

Williams Pella
These Soybeans Are Vitavax
Treated. Minimum Germ - 90%

REIST SEED COMPANY

Finest Seeds (Since 1925)
Mount Joy, PA (717) 653-4121

31 DAY KEYWIND

C-243 Wall or Mantle, 31-day hour and half-hour strike clock. Hardwood cabinet; full front glass door, pendulum, decorated glass, black numbers and hands. Walnut finish, brass trim. Size is 21"x11"x5". One Year Guarantee. Retail \$99.00



Special Sale! **\$59.95!!**



ICE CREAM FREEZERS

Stainless Steel Cans!
(5 Year Warranty)

Save 40%			
2 Qt Hand	\$47 84 ppd	4 Qt Hand	\$58 55 ppd
6 Qt Hand	\$68 63 ppd	8 Qt Hand	\$118 74 ppd
10 Qt Hand	\$139 77 ppd	2 Qt Elec	\$64 57 ppd
4 Qt Elec	\$90 48 ppd	6 Qt Elec	\$99 63 ppd

ALL PRICES ARE PREPAID!

We have complete line of CLOCK movements, numbers, dials and resin for clockmakers. Write or call.

Andy H. Weaver

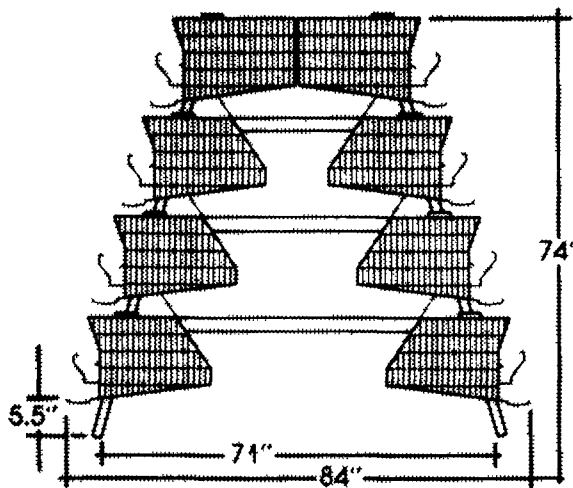


Box 109F - W. Farmington, Ohio 44491

ALL ITEMS POSTPAID - PROMPT SHIPMENTS
Phone (216) 548-8799
TOLL FREE 1-800-882-8799 (OUTSIDE OHIO)

POPULAR BIG DUTCHMAN CAGE SYSTEMS FOR COMMERCIAL EGG PRODUCTION

Profit-Tier 20

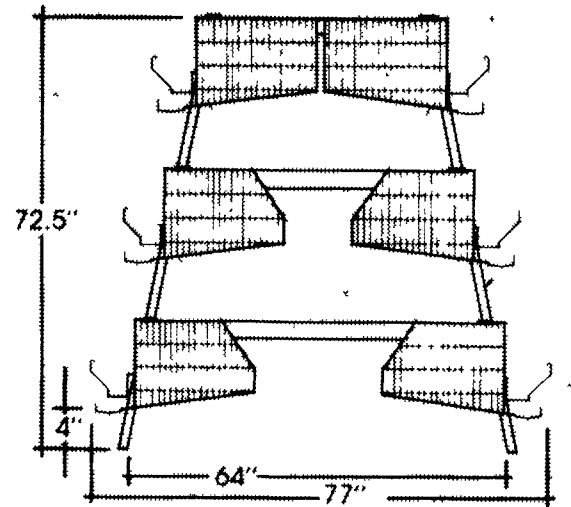


Four tiers of low profile, 20" deep cages on a condensed row width for very high capacity without crowding. Available in 8-foot or 10-foot sections. Cage size options: 12"x20"; 15"x20"; 16"x20" and 24"x20".

Big Dutchman

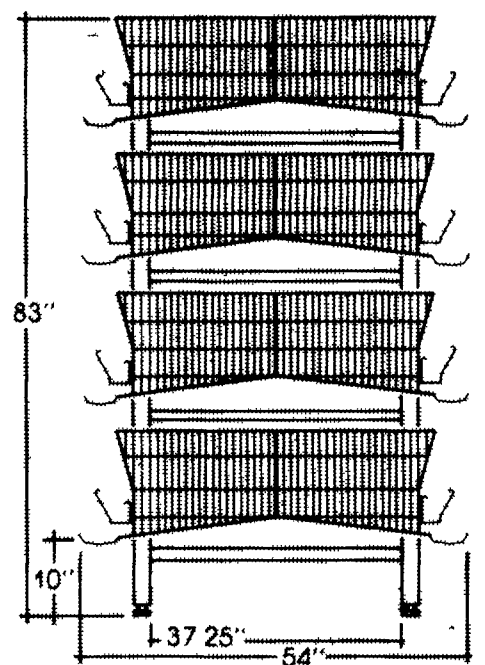


Tri-Deck II



High density in the proven low profile cage design. Available in 8-foot or 10-foot cage sections. Cage size options: 12"x20"; 15"x20"; 16"x20" and 24"x20".

Stak 454



Four tiers, 54-inch width overall, with quiet running belt manure removal. Cages installed in 8-foot sections. Cage size options: 12"x20"; 16"x20" and 24"x20".

Big Dutchman offers the important features that make a cage system work better and last longer.



H
HERSHEY EQUIPMENT
COMPANY, INC.
Designers of Quality Systems for Poultry, Swine and Grain Handling

SYCAMORE IND PARK
255 PLANE TREE
DRIVE
LANCASTER, PA 17603
(717) 393-5807

Route 30 West
at the
Centerville Exit.