

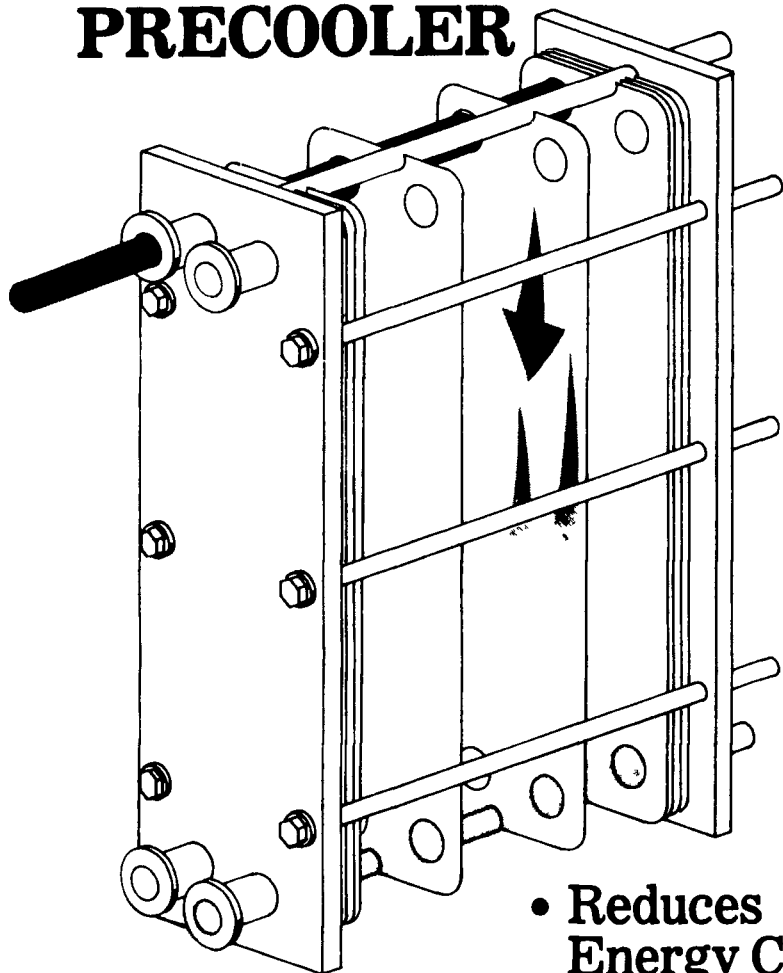
# MUELLER® Dairy Farm Equipment

**OFFERS**

## TWO WAYS TO "PRECOOL" MILK

**One With Water**

**MUELLER  
ACCU-THERM™  
PRECOOLER**



- Reduces Energy Cost
- Flexibility
- Low Maintenance
- Pays For Itself

**MUELLER**  
**Accu-Therm**  
PLATE HEAT EXCHANGER

**One With Freon**

**MUELLER  
REFRIGERATED  
RECEIVER**



**MUELLER**  
Refrigerated Receiver

**PRE-COOLING DOES  
MAKE A DIFFERENCE!**

Isn't it time for you to join the growing number of dairymen testifying to the improvement the Refrigerated Receiver has made in their operations!

## ASK A MUELLER DISTRIBUTOR ABOUT THE "SYSTEM" THAT'S RIGHT FOR YOU

**PENNSYLVANIA**

**Rufus Brubaker  
Refrigeration**

614 Penryn Rd  
Manheim Pa 17545  
PH 717-665-3525

Rt 3 Box 437A  
Quarryville Pa 17566  
PH 717-786-1617

Rt 1 Box 199  
Myerstown Pa 17067  
PH 717-933-4711

**Dairyland Sales  
& Service**

RD 2 Box 43  
Troy Pa 16947  
PH 717-297-4128

**K.C. Dairy Service**

RD 2 Box 2332  
Mt Bethel Pa 18343  
PH 717-897-5141

**Longacre Electrical  
Service, Inc.**

602 Main St  
Bally Pa 19503  
PH 215-845-2261

**Martin's Dairy  
Service, Inc.**

RD 2 Box 197  
Troy Pa 16947  
PH 717-297-3972

**Martin's  
Refrigeration Service**

1122 Woodstock Rd  
Fayetteville Pa 17222  
PH 717-352-2783

**Northampton  
Farm Bureau**

300 Bushkill St  
Tatamy Pa 18085  
PH 215-258-2871

**Penn York  
Refrigeration**

RD 1  
Knoxville Pa 16928  
PH 814-326-4496

**Wehr's Dairy  
Equipment**

RD 2 Box 85  
Mifflinburg Pa 17844  
PH 717-966-1396

**DELAWARE**

**Bennett Machine  
Company**

1601 South  
Dupont Boulevard  
Milford DE 19963  
PH 302-422-4837

**NEW JERSEY  
Gardner's Electric**

217 State St  
Elmer NJ 08318  
PH 609-358-7271

**MARYLAND**

**Dairymen, Inc.  
Middle Atlantic  
Division**

600 Liberty Rd  
Sykesville MD 21784  
PH 301-795-2727

**George M. Priest, Jr.,  
and Sons**

RD 8 Box 142  
Hagerstown, MD 21740  
PH 301-733-6661  
301-797-3921

**Regional Manager  
Eastern PA**

**Michael B. Conklin**  
Rt 90, Box 248  
Locke, New York 13092  
PH 315-497-1133

**Regional Manager  
Western PA**

**F.M. Fritz Marin**  
1619 N Dade Drive  
Jackson MI 49203  
PH 517-787-9361