

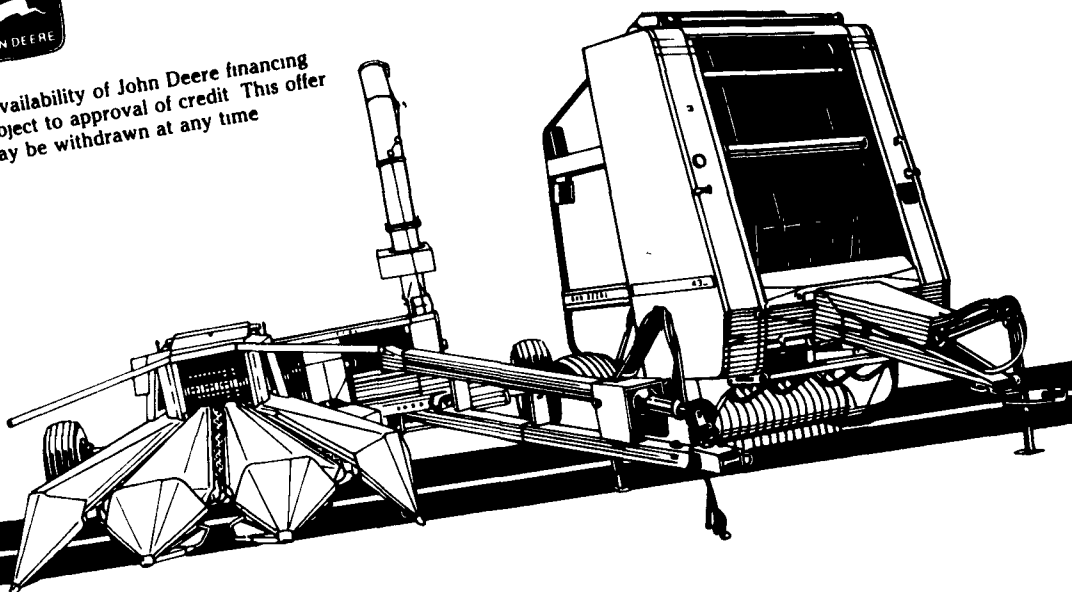
JOHN DEERE HAY AND FORAGE EQUIPMENT

SAVE BIG and then some

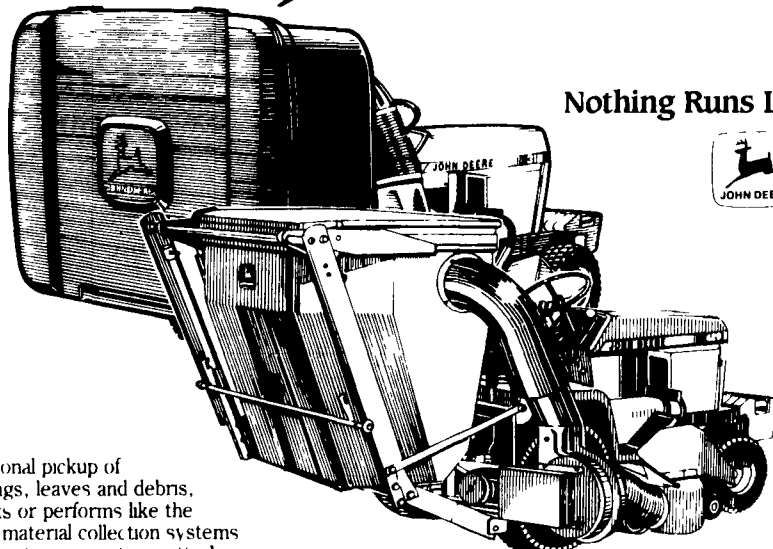
John Deere has made us a deal that will save you a bunch. Big pass-along savings on hay and forage equipment are available to you right now. Come in and save big and then save more by waving finance charges good-bye to July 1, 1987 on hay equipment and September 1, 1987 on forage equipment. OR take a big discount in lieu of finance waiver.* There's also a finance waiver to the first of the 1987 use season on used John Deere hay and forage equipment. And you can get customer discounts up to \$3,000 on hay equipment and up to \$850 on pull-type forage harvesters.



*Availability of John Deere financing subject to approval of credit. This offer may be withdrawn at any time.



Comes time to collect leaves, no one does it better than John Deere



Nothing Runs Like a Deere®



For professional pickup of grass clippings, leaves and debris, nothing looks or performs like the John Deere material collection systems. Unlike cart units, our systems attach directly to the tractor for easier maneuvering around trees, playground equipment, benches and other obstacles. Large 13-bushel hoppers are made of rugged polyethylene, and empty right from the driver's seat. The Tilt Dump lets you empty material into a pile for quick disposal.

The Hydraulic Dump has a lift height of 5 1/2 feet to permit dumping into a truck or wagon. Both have an adjustable PTO driven fan, and big hoses to guard against clogging. Both systems fit 300 and 400 Series Tractors. See this revolutionary new way of handling old chores.

- | | |
|---|---|
| ADAMSTOWN EQUIPMENT INC.
Mohnton R D. 2, PA
(near Adamstown)
215-484-4391 | KERMIT K. KISTLER INC.
Lynnport, PA
215-298-2011 |
| BARRETT EQUIPMENT
Smicksburg, PA
814-257-8881 | LANDIS BROS. INC.
Lancaster, PA
717-291-1046 |
| BARTRON SUPPLY, INC.
Tunkhannock, PA
717-836-4011
Eves. 717-836-4302 | LEHIGH AG EQUIPMENT
Wescosville, PA
215-398-2553 |
| CLUGSTON FARM EQUIPMENT
Needmore, PA
717/573-2250 | ROBERT E. LITTLE INC.
Zieglerville, PA
215-287-9643 |
| CLUGSTON IMPLEMENT, INC.
Chambersburg, PA
717-263-4103 | LOST CREEK IMPLEMENT
Oakland Mills, PA 17076
717-463-2161 |
| ENFIELD EQUIPMENT INC.
Whiteford, MD
301-452-5252 | MAKAREVICH BROS., INC.
Hackettstown, NJ
201-852-4488 |
| EVERGREEN ENGINES CO.
32 Evergreen Road
Lebanon, PA 17042
717-273-2662 | OXFORD GREENLINE
Oxford, PA
215-932-2753
215-932-2754 |
| EVERGREEN TRACTOR CO., INC.
Lebanon, PA
717-272-4641 - | PIKEVILLE EQUIPMENT INC.
Oyster Dale Road
Oley RD2, PA
215-987-6277 |
| FOSTER EQUIPMENT SALES
Elmer, NJ
609-769-1535 | GEORGE V. SEIPLE & SON
Easton, PA
215-258-7146 |
| H.R. GUTSHALL & SONS, INC.
Carlisle, PA
717-249-2313 | SMITH'S IMPLEMENTS, INC.
Mercersburg, PA
717-328-2244 |
| A.B.C. GROFF, INC.
New Holland, PA
717-354-4191 | SOLLENBERGER EQUIPMENT
Everett, PA
814-652-5223 |
| ROBERT G. HAMPTON, INC.
Shiloh, NJ
609-451-9520 | TOBIAS EQUIPMENT CO., INC.
Halifax, PA
717-362-3132 |
| I.G. SALES
Silverdale, PA
215-257-5136 | M.S. YEARSLEY & SONS
West Chester, PA
215-696-2990 |

The Long Green Line™



Nothing runs like a Deere™