

Lancaster 4-H Horse Show Winners Announced

Lancaster Farming, Saturday, August 2, 1986-811

LITITZ - The Lancaster 4-H Horse Show was held at Lower-Hopewell Horse Show Farm, July 19. Below are the top three winners in each class of competition.

- Grooming & Showmanship - Jr**
1 Alison Farrington 2 Kristen Bixler 3 Lori Harnish
- Grooming & Showmanship - Sr**
1 Tammy Long 2 Sallie Gregory 3 Kim Hartzler
- Pleasure Pony Driving**
1 Anne Kenderdine 2 Kina Wolfe
- Open Trail (13 2 hands & under)**
1 Kimberly Kettering 2 Angie Heisey 3 Anne Kenderdine
- Open Trail (Over 13 2 hands)**
1 Alison Farrington 2 Tammy Long 3 Camille Long
- County Team**
1 Derek Bomberger Alison Farrington Tammy

- Long 2 Camille Long Whitney Christian Michelle Ressler
- Pleasure Pairs**
1 Alison Farrington Tammy Long 2 Shaun Eberly Philip Eberly 3 Kristy Fryebarber Lori Harnish
- Stock Seat Equitation - Jr**
1 Alison Farrington 2 Shaun Eberly 3 Kimberly Kettering
- Stock Seat Equitation - Sr**
1 Jessica Watts 2 Melissa Harris 3 Jason Watts
- Western Pleasure Ponies (12 2 hands & under)**
1 Daniel Mahon 2 Amy Harris 3 Michael Dagen
- Western Pleasure Ponies (Over 12 2 hands & not over 14 0 hands)**
1 Michelle Harris 2 Kimberly Kettering
- Western Pleasure Horses (Over 14 0 hands)**
1 Alison Farrington 2 Jason Watts 3 Jessica Watts

- Western Riding Contest**
1 Alison Farrington 2 Jessica Watts 3 Shaun Eberly
- Pole Bending Ponies**
1 Bobbi Miller 2 Michael Dagen 3 Chad Stoltzfus
- Pole Bending Horses**
1 Chris Miller 2 Wayne Stoltzfus 3 Philip Eberly
- Clover Leaf Barrel Race - Ponies (Over 13 2 hands)**
1 Chad Stoltzfus 2 Bobbi Miller 3 Michael Dagen
- Clover Leaf Barrel Race (Over 13 2 hands)**
1 Wayne Stoltzfus 2 Chris Miller 3 Philip Eberly
- Raised Box Keyhole (13 2 hands & under)**
1 Chad Stoltzfus 2 Bobbi Miller
- Raised Box Keyhole (Over 13 2 hands)**
1 Chris Miller 2 Wayne Stoltzfus 3 Kristy Frybarger

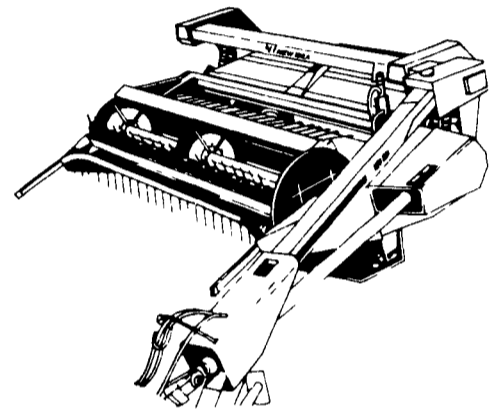
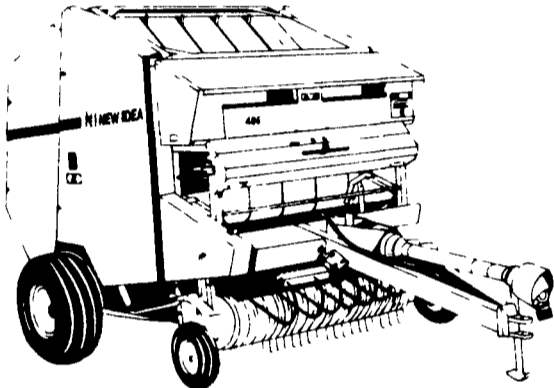
- Hunter Seat Equitation - Not to jump - Jr**
1 Missy Overbaugh 2 Derek Bomberger 3 Claudia Hartzler
- Hunter Seat Equitation - Not to jump - Sr**
1 Tammy Drumm 2 Tammy Long 3 Cand MacPherson
- Hunter Seat Equitation - Over Jump - Jr**
1 Sharon Harnish 2 Camille Long 3 Laura Seaton
- Hunter Seat Equitation - Over Jump - Sr**
1 Heather Wardell 2 Jennifer Eckel
- Hunter Under Saddle - Ponies**
1 Heather Wardell 2 Tammy Drumm 3 Allison Waltz
- Hunter Under Saddle - Horses**
1 Tammy Long 2 Missy Overbaugh 3 Carla Melasecca
- Working Hunter Horses (Under 14 2 hands)**
1 Heather Wardell 2 Tammy Drumm 3 Kristen Myers

- Working Hunter Ponies (Over 14 2 hands)**
1 Sharon Harnish 2 Jennifer Eckel 3 Michelle Ressler
- Hunter Hack Ponies (14 2 hand & under)**
1 Laura Seaton 2 Allison Waltz 3 Dawn Engle
- Hunter Hack Horses (Over 14 2 hands)**
1 Whitney Christian 2 Missy Overbaugh 3 Kim Hartzler
- 4-H Open Pleasure**
1 Carla Heisey 2 Karen Yeagley 3 Claudia Hartzler
- Scurry (13 2 hands & under)**
1 Bobbi Miller 2 Chad Stoltzfus
- Scurry (Over 13 2 hands)**
1 Chris Miller 2 Wayne Stoltzfus 3 Amy Lageman
- Pleasure Horse Driving**
1 Alison Farrington
- English Walk Trot**
1 Melissa Morrow
- Western Walk-Jog**
1 Ann Waltz 2 Thomas Harris

MAKE YOUR BEST DEAL

AND GET CASH BACK DIRECT FROM NEW IDEA

WHEN YOU PURCHASE SELECTED NEW IDEA HAYTOOLS!



Farm Equipment Division
New Idea Corporation

Coldwater, Ohio 45828

NOW'S THE TIME TO BUY, SO MAKE YOUR BEST DEAL!

Combine it with New Idea's Interest Waiver or 7.9% financing and GET CASH BACK with the "Value Plus Rebate" from New Idea.

See your participating dealer today.

New Idea reserves the right to withdraw offer without notice

- BALERS**
484 \$ 400
486 \$ 500
555 \$1000
565 \$ 600
- MOWER CONDITIONERS & CUT/DITIONERS**
512, 514 \$1200
509 \$ 700
507 \$ 600
272, 279 \$ 400
- FORAGE HARVESTERS & HEADS**
660, 680 \$1000
662, 663, 666, 668 \$ 300
- SICKLE BAR MOWERS**
521, 522 \$ 100
- RAKES**
405, 406, 407 \$ 200

SEE YOUR NEW IDEA DEALER TODAY

PENNSYLVANIA

- Airville**
FARMERS EQ & SUPPLY CO., INC.
717 862 3967 or 3968
- Bechtelsville**
MILLER EQUIPMENT
215 845 2911
- Bethel**
ZIMMERMAN'S FARM SERVICE
717 933 4114
- Canton**
WYNNE'S GARAGE
717 673 8456
- Carlisle**
ERNEST SHOVER FARM EQUIPMENT
19 West South St
717 249 2239
- Cochranville**
STOLTZFUS FARM SERVICE
215 593 2407
- Cresson**
HINES EQUIPMENT
814 886 4183
- Bellwood**
814 742 8171
- Dover**
GEORGE N GROSS, INC.
717 292 1673

- Easton**
FANCY FURROW FARMS AG EQ
215 252 8828
- Ephrata**
ROY H. BUCH, INC.
RD 2
717 859 2441
- Gettysburg**
YINGLING'S IMPLEMENTS
717 359 4848
- Greencastle**
MEYERS IMPLEMENTS, INC.
717 597 2176
- Hamburg**
SHARTLESVILLE FARM SERVICE
RD 1
215 488 1025
- H Daniel Wenger, Prop
- Honesdale**
MARSHALL MACHINERY, INC.
717-729-7117
- Jersey Shore**
THOMAS L DUNLAP
717 398 1391
- Jerseytown**
WILLIAM F WELLIVER
717 437 2430

- Jonestown**
HEISEY FARM EQUIP., INC.
RD 1
717 865 4526
- Klingerstown**
STANLEY'S FARM SERVICE
717 648 2088
- Lancaster**
LANDIS BROS. INC.
717 291 1046
- Lebanon (Fontana)**
UMBERGER'S OF FONTANA
RD 4
717 867 5161
- Mahaffey**
HUTTON FARM EQUIPMENT
814 277 5504
- Manheim**
N G HERSHEY AND SON
717 665 2271
- Maxatawny**
N H FLICKER & SONS, INC.
715 683 7252
- Mill Hill**
DUNKLE AND GRIEB
717 726 3115

- New Holland**
A B C GROFF, INC.
717 354 4191
- Oakland Mills**
PEOPLES SALES & SERVICE, INC.
717 463 2735
- Quakertown**
C J WONSIDLER BROS.
215 536 1935
- Quarryville**
A L HERR & BRO.
717 786 3521
- Reynoldsville**
McGARVEY EQUIP., INC.
814 653 9637
- Spring Mills**
C & P FULTZ EQUIPMENT
RD 1
814 422 8805
- State College**
R T MARKLE
1841 Pine Hall Drive
814 237 3141
- Tunkhannock**
ACE-JURISTA, INC.
717 836 2610

MARYLAND

- Churchville**
WALTER G COALE, INC.
301 734 7722
301 879 1434
- Frederick**
KNOTT & GEISBERT, INC.
RD 2
301 662 3800
- Hagerstown**
ANTIETAM FORD TRACTOR
301 791 1200
- Linboro**
WERTZ GARAGE, INC.
301 374 2672
- Rising Sun**
BIGGS, INC.
301 658 5531
- NEW JERSEY**
- Bridgeton**
LESLIE FOGG INC.
609 935 5145
- Columbus**
REED BROS EQUIPMENT
609 298 3441
- WEST VIRGINIA**
- Martinsburg**
BENDERS FARM SERVICE INC.
304-267-8707