

Delaware Judging Contest

Winners Named

NEWARK, Del. — Reclaiming the first-place position they held last year, Richard and Betty Morris of Newark took top honors in Delaware's 1986 Hoard's Dairyman armchair-style dairy judging contest. Richard Morris was named high individual winner and his wife Betsy achieved individual honorable mention.

Jim and Linda Wolfer, also of Newark, finished behind the Morrises in the couples class, but their family took top honors in the family class, edging out the L. Levis Phipps family of Wilmington.

Dr. George Haenlein, University of Delaware extension dairy specialist, will present prizes to the winners at the Delaware State fair on Wednesday, July 23, immediately before the Dairy Princess finals. Cash prizes were

provided by the Delaware Holstein Association. The winning entries were selected from 168 submitted by adults and children. Each competitor evaluated cows featured in recent issues of Hoard's Dairyman magazine.

Other prize winners included—High 4-H Individual: Ted Wolfer, Porter Gang 4-H club (Newark). Honorable mention: Laurie Moore, also of the Porter Gang.

High 4-H Club: Porter Gang 4-H club, Mrs. Carol Moore, leader. Honorable mention: Chestnut Grove club (Dover, Mr. and Mrs. Sam Dixon, leaders).

High FFA individual: Andy Kirk, Glasgow chapter. Honorable mention: Derrick Johnson, Smyrna chapter.

High FFA Chapter: Smyrna chapter, Mr. R. Stinson, advisor. Honorable mention: Woodbridge chapter, Mr. D. Harcum, advisor.

Loan Rate Set for '87 Wheat Crop

WASHINGTON — Secretary of Agriculture Richard E. Lyng recently set the national average loan and purchase level for the 1987 wheat crop at \$2.28 per bushel, down from \$2.40 per bushel for the current year.

Lyng also announced the following additional provisions for next year's wheat crop:

- A marketing loan program will not be implemented;

- Offsetting compliance requirements will not apply, meaning that eligibility for a program payment and loan for a commodity on a farm will not be affected by actions taken with respect to that commodity on another farm;

- The upper limits on the farmer-owned reserve quantity will be no more than 17 percent of the

estimated domestic and export use for the 1987/88 marketing year. If reserve quantities exceed the upper limit at the time that 1987-crop wheat loans mature, no entry into the reserve will be permitted;

- Actual crop yields for 1987 and subsequent years will not be used to establish 1988 and future farm program payment yields.

Lyng said he will reserve the right to initiate cost reduction options as outlined in Section 1009 of the Food Security Act of 1985. These options may include reopening and changing a contract entered into by a producer under a program if the producer voluntarily agrees to the change.

The enrollment period for the 1987 wheat program will begin Oct. 1, 1986, and end March 30, 1987.

Meet the LVNB AgriGroup at the Fair!



Have your financial questions answered by one of Lebanon Valley National Bank's agricultural loan professionals

Michael H. Firestine - Vice President, Sr. Agricultural Loan Officer

Robert Donaldson - Agricultural Loan Officer

Larry Groff - Agricultural Loan Officer

Sean McKinney - Agricultural Loan Coordinator

★ Guess the weight of our Lebanon Bologna and win a \$25.00 Statement Savings Account. ★

Other random drawing prizes include a basket of peaches and a basket of potatoes.

Register to win Feeder Pigs!

Lebanon Area Fair-Monday, July 28 thru Friday, August 1



Lebanon Valley National Bank

A subsidiary of Keystone Heritage Group Inc.

Equal Opportunity Lender Member FDIC

KELLER BROS. MID-SUMMER INVENTORY REDUCTION SALE

Of New Holland Hay Tools, Forage Equipment, Spreaders & Grinder Mixers

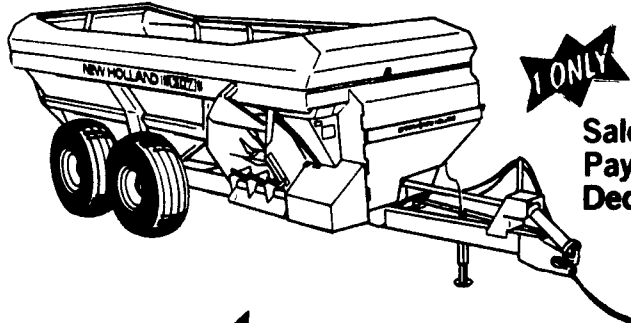
Keller Bros. Offers You The Lowest Prices On Equipment

PLUS

New Holland Waiver of Interest Till March 1, 1987

Cash OR Dividends OR

0% APR For 12 Mos.
5.9% APR For 24 Mos.
8.9% APR For 36 or 48 Mos.



1 ONLY

307 SIDE DELIVERY SPREADER

Sale..... \$8,900 W/Financing

Pay Cash

Deduct..... - 600

\$8,300

1 ONLY

311 BALER

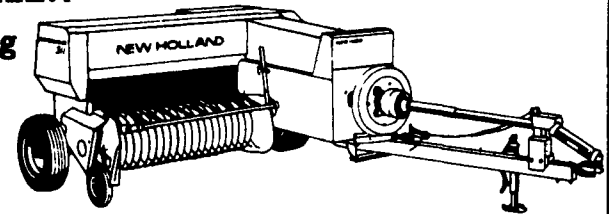
Sale..... \$6,500* W/Financing

Pay Cash

Deduct..... - 400

\$6,100*

* Baler Only - Thrower Extra



900 FORAGE HARVESTER

Base unit w/metal detector, automatic hitch, spout liner, adj. spout, hyd. swing tongue, grain saver pan.

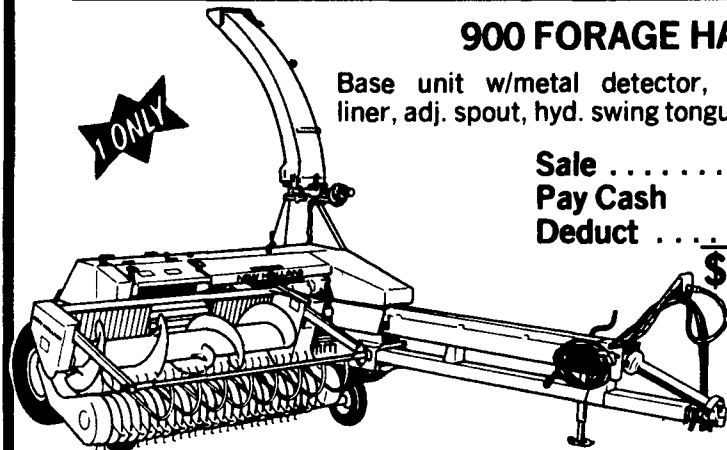
1 ONLY

Sale..... \$15,900 W/Financing

Pay Cash

Deduct..... - \$1300

\$14,600



1 ONLY

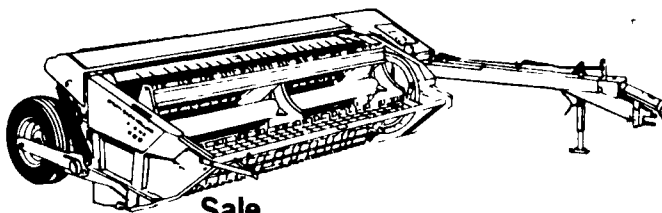
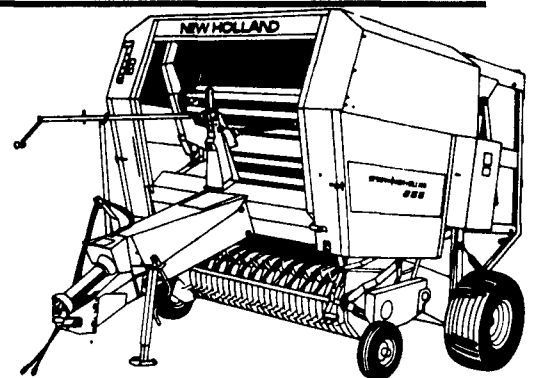
855 ROUND BALER

Sale..... \$12,135 W/Financing

Pay Cash

Deduct..... - 700

\$11,435



489 HAYBINE

1 ONLY

Sale..... \$7,673 W/Financing

Pay Cash

Deduct..... - 450

\$7,223

See Our New Holland Equipment Display At The LEBANON AREA FAIR, JULY 27 - AUG. 2

Prices Are For In Stock Units Only



PARTS ★ SALES ★ SERVICE

KELLER BROS.

SINCE

TRACTOR CO.

1921

717-949-6501

Rt. 419 Between Schaefferstown & Cornwall, Lebanon County