



Berks Society 1

Members of Berks Society 1 made plans for their annual picnic

Aug. 17 at Levengood's Grove during a recent meeting at the home of Mrs. Donna Haas, R2 Douglassville.

Ruth Shappell demonstrated crafts. President Lillian Hetrick conducted the business meeting

Members will help serve the chicken barbecue at the 4-H Fair July 26.

The next meeting will be a doggie roast at the home of Mrs. Pauline Heffelfinger.

Berks Society 5

Members of Berks Society 5 enjoyed their annual family picnic at the home of Mrs. Rhea Schoener, Womelsdorf, on July 6. Fourteen members and their families were present to enjoy hot dogs and sauerkraut at the covered dish luncheon.

Following the meal, members and their families played bingo and other games provided by the

Food Committee.

The group's next meeting will be Aug. 12 at the home of Mrs. Betty Wessner, R1 Womelsdorf. Members will make box pleat wreaths under the instruction of a representative of The Gidget Shop. Members are reminded to bring their craft projects using Pennsylvania products to the next meeting.



Sunday, July 20
Lancaster Society 3 meets at 12:30 p.m. for a family picnic.

Potts.
Lancaster Society 34 meets for a powder puff mechanics program.

Monday, July 21
Lancaster Society 31 meets at 7:30 p.m. for an "Image of Lovliness" program by Lydia

Saturday, July 26
Lancaster Society 5 meets for a picnic and games.

KELLER BROS. MID-SUMMER INVENTORY REDUCTION SALE

Of New Holland Hay Tools, Forage Equipment, Spreaders & Grinder Mixers

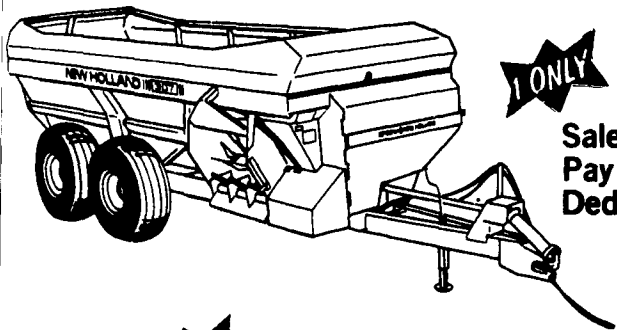
Keller Bros. Offers You The Lowest Prices On Equipment

PLUS

New Holland Waiver of Interest Till March 1, 1987

Cash OR Dividends OR

0% APR For 12 Mos.
5.9% APR For 24 Mos.
8.9% APR For 36 or 48 Mos.



ONLY

307 SIDE DELIVERY SPREADER

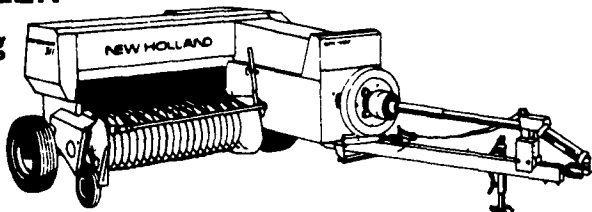
Sale..... \$8,900 W/Financing
Pay Cash
Deduct..... - 600
\$8,300

ONLY

311 BALER

Sale..... \$6,500* W/Financing
Pay Cash
Deduct..... - 400
\$6,100*

* Baler Only - Thrower Extra

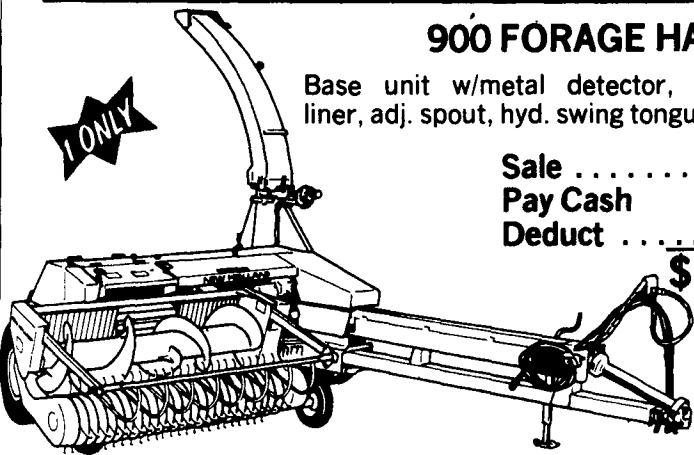


900 FORAGE HARVESTER

Base unit w/metal detector, automatic hitch, spout liner, adj. spout, hyd. swing tongue, grain saver pan.

Sale..... \$15,900 W/Financing
Pay Cash
Deduct..... - \$1300
\$14,600

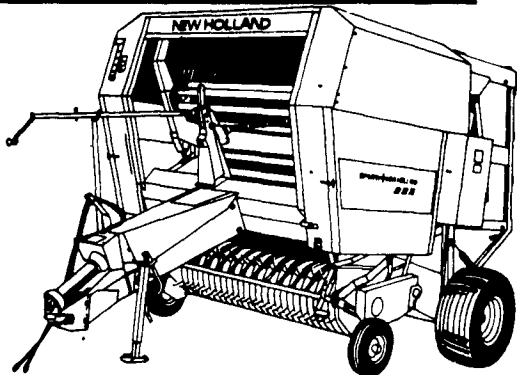
ONLY



ONLY

855 ROUND BALER

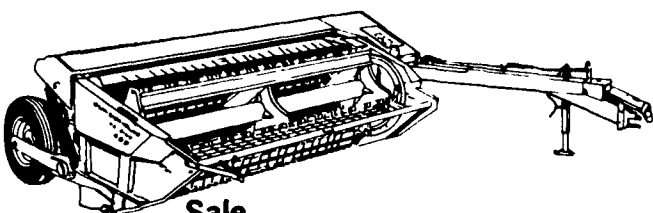
Sale..... \$12,135 W/Financing
Pay Cash
Deduct..... - 700
\$11,435



489 HAYBINE

ONLY

Sale..... \$7,673 W/Financing
Pay Cash
Deduct..... - 450
\$7,223



Prices Are For In Stock Units Only

PARTS ★ SALES ★ SERVICE

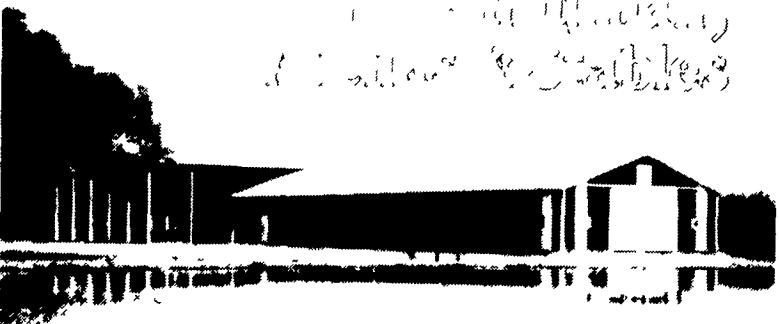
KELLER BROS.

SINCE TRACTOR CO. 1921

717-949-6501

Rt. 419 Between Schaefferstown & Cornwall, Lebanon County

LEASING AVAILABLE



MORTON BUILDINGS

Call or write today to arrange to see and hear more reasons why you should own a Morton Building

1185 York Rd
Gettysburg PA 17325
Rd #10, Box 76
Meadville, PA 16335
State College, Box 361
Centre Hall PA 16828
Box 126
Phillipsburg, NJ 08865
1918 Industrial Drive
Culpeper, VA 22701
P O Box 187
Harrington, DE 19952

Ph 717/334 2168
Ph 814/336 5083
Ph 814/364 9500
Ph 201/454 7900
Ph 703/825 3633
Ph 302/398-8100

WEATHER VANE with every building purchased