



Bedford County DHIA Report

Luther & Phil Steele	B3	71 8	88 4	18,034	697
Allen Claar	B3	58 4	87 7	19,140	697
He An-HA Farm.	B8	75 3	85 3	17,610	694
Paul Den	3	78 7	91 2	18,570	692
Clarence & Ken Mowry	3	191 3	90 8	20,280	689
Raymond Yoder & Sons	3	67 3	86 8	20,145	689
David O'Neal	B3	54 1	83 9	18,607	689
Obie Snider	3	163 1	86 1	18,110	685
Daniel Smith	3	58 5	88 9	17,182	684
Greg & Betty Shaffer	B3	40 1	91 0	17,587	679
Paul & David Helsel	G3	101 9	89 6	18,484	678
Paul Steve Ritchey	3	68 0	87 2	18,009	676

Roger R Brumbaugh	B3	42 0	84 7	18,635	670
Pa-Riss Holsteins	B3	28 6	86 5	18,051	669
Andy T Mohr	B3	57 6	91 2	19,124	668
Blair Brooke	3	47 6	92 2	19,154	663
Ray W Hinish	B3	72 4	85 9	17,395	656
Sunny Four Farm, inc	B3	73 7	87 2	18,291	656
Kim Karns	B3	52 2	90 5	17,873	651
Robert H Beach					
231		7 02	3	23,798	888
J Allen Baker					
Handy		4 10	3	21,217	864
Fivira		3-00	3	25,049	861

(Turn to Page C7)

December, 1985

K & D Farm	3	55 0	90 1	19,078	762
Cove Crest Farms	3	67 2	89 0	20,832	753
Edward A Deputy	B3	152 3	89 9	20,537	752
Allenor Holstein Farm	3	127 5	88 9	20,096	734
Robert Swartzwelder	B3	52 8	87 6	19,232	712
Paul I Detwiler	3	104 6	91 5	17,774	704

Agricultural exports in fiscal year 1984 came to \$38 billion; agricultural imports were half that amount. The \$19 billion favorable balance of trade offset some of the large unfavorable balance in U.S. industrial trade.

Robot-like food tasters are helping food processors maintain the quality of packaged products containing beef, pork, poultry, fish, milk, fruit, nuts, vegetables, oils, syrups, gravies, and other foods. Researchers developed a technique for trapping and testing flavor volatiles, easily evaporated organic compounds, on the production line. That means processors could replace substandard ingredients during processing instead of waiting to test the end product, thus reducing waste. Similar methods are being developed to track the browning of sugars and amino acids that occur during baking, meatpacking, and the processing of cereals and candies.



LET AG TEC HANDLE ALL YOUR SPRAYING NEEDS

give your vegetables wrap around protection

Featuring:

- 190 MPH Air Stream
- Rotating Head (3 Pt. Hitch or Pull Type) Sprays With The Wind
- Low Volume Efficiency Reduces Chemical & Fuel Cost



SHORT ON CASH?

If So Consider Our 3 Yr. Leasing Program Available On Ag Tec Sprayers Only See Us For Details

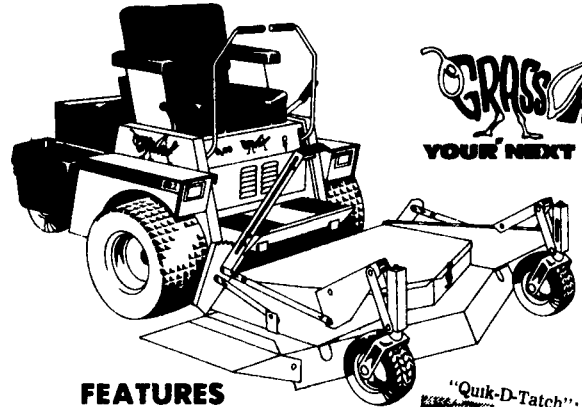
Lancaster County's Only Dealer Specializing In Sprayer Sales & Service

LESTER A. SINGER

96 N. Ronks Rd. Ronks, PA 17572
(717) 687-6712 or 295-2308
Mon.-Fri. 8 to 5; Sat. By Appt.

NOW YOU CAN STAY AHEAD OF YOUR MOWING SCHEDULE

MOW AND FINISH TRIM IN ONE TIME-SAVING OPERATION WITH GRASSHOPPER



GRASSHOPPER
YOUR NEXT MOWER

FEATURES

1. ZERO TURNING RADIUS ELIMINATES HAND TRIMMING (Because your mower deck is out front)
2. ALL HYDROSTATIC DRIVEN
3. MOWER P.T.O. SHAFT DRIVEN
4. ELECTRIC CLUTCH (Some Models)



FREE Model 2044 Mower Deck (Value \$756) With The Purchase Of A **12 H.P. GRASSHOPPER** FOR ONLY...\$3,156 Plus Setup & Freight

Purchase A 16 H.P. GRASSHOPPER And Receive A Model 6044 Mower Deck FREE (Value \$812)

The Free Mower Deal, Which Ended April 30th, Has Been Extended Till May 15th

Other Models Up To 18 H.P., Including NEW WATER-COOLED DIESEL Available At Any Of The Following

DEALERS

PENNSYLVANIA

BERKS CO
ERB & HENRY EQUIP., INC.
New Berlinville, PA
Ph 215-367-2169

STANLEY A. KLOPP INC.

Bernville PA 19506
Ph 215-488-1500

MERTZ LANDSCAPING

Kutztown, PA
Ph 215-683-6260

BUCKS CO

R.W. KELLER SALES
Perasie, PA
Ph 215-257-0101

THE LAWN BARN, INC.

Langhorn, PA 19047
Ph 215 757-7030

CHESTER CO

LORD'S EQUIP.
Elverson, PA
Ph 215 286 9101

STOLTZFUS FARM SERVICE

Cochranville PA 19330
Ph 215-593 2407

COLUMBIA CO

BALSCHI'S EQUIP.
Catawissa PA
Ph 717 356 2341

CUMBERLAND CO

PETERMAN FARM EQUIP.
Carlisle PA
Ph 717 249 5338

FRANKLIN CO

SHANK'S LAWN EQUIP.
Chambersburg PA
Ph 717-375-4455

LANCASTER CO

GRUMELLI'S FARM SERVICE
Quarryville, PA 17566
Ph 717 786-7318

LAWN CARE OF PA

Martindale, PA
Ph 215-445-4541

MESSICK FARM EQUIP.

Elizabethtown, PA
Ph 717-367-1319

LEBANON CO

HEISEY FARM EQUIP. CO.

Jonestown, PA
Ph 717-865-4526

UMBERGER'S OF FONTANA

Lebanon, PA
Ph 717-867-5161 & 867-2613

LEHIGH CO

KERMIT K. KISTLER, INC.
Lynnport, PA 18066
Ph 215-298-2011

LYCOMING CO

C.H. WALTZ SONS
Cogan Station, PA
Ph 717-435-2921

MIFFLIN CO

RON'S IGA FRUIT MKT. INC.
Reedsville PA
Ph 717 667 3978

MONROE CO

STOUT'S MOWER SERVICE
Stroudsburg PA
Ph 717-992-4585

MONTGOMERY CO

RADCLIFF'S SHARPENING SERVICE INC.
Horsham, PA 19044
Ph 215-672-6640

YORK CO

GUS FARM EQUIPMENT
Seven Valleys, PA
Ph 717-428-1967

STRALEY FARM SUPPLY, INC.

Dover, PA
Ph 717 292-2631

NEW JERSEY

BERGEN CO

D. & H. MACHINERY CO.
Mahwah NJ 17430
Ph 201-327 6750

HUNTERDON CO

ADAM JAKELSKY, JR.
Flemington, NJ 08822
Ph 201 996 3105

MERCER CO

MILLER EQUIPMENT CO.
Robbinsville NJ
Ph. 609 587 9666

MARYLAND

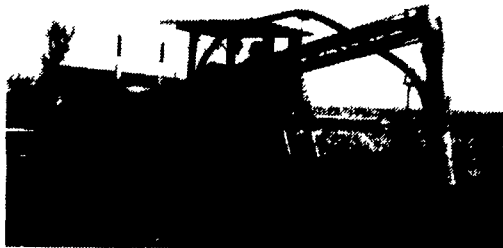
CARROLL CO. RAINBOW FARM CENTER, INC.
Taneytown, MD 21787
Ph 301-751-1500

Farm Drainage & Soil Conservation...

That's Us!

We Are Fully Equipped To Install Tile With Laser Beam Control

We Specialize In Soil Conservation And Land Improvement Work



- Improved Land Use and Efficiency
- Better Soil Conservation
- Deeper Root Development
- Increased Crop Yield
- Longer Growing Seasons
- Improved Plant Quality
- Better Livestock Farming

We're Equipped With: Dozers, Pans And Excavators To Handle Any Excavating Jobs, Such As Terraces, Waterways, Diversions, Ponds, Etc.



COCALICO EQUIP. CO.

FARM DRAINAGE & EXCAVATING
RD#4, BOX 317, DENVER, PA. 17517 PH: 215-267-3808 717-738-3794

