

Grubb thanks legislature for quick disease action

HARRISBURG — State Agriculture Secretary Richard E. Grubb has commended for Pennsylvania House and Senate Appropriations Committees for quickly approving funds sought by the Department and Thornburgh administration to aid poultry and swine industries.

Requested was a \$1.125 million supplemental appropriation to eradicate avian influenza in poultry flocks and control pseudorabies in swine herds. The

diseases can kill poultry and livestock but do not harm humans.

"The funding we requested is sufficient to cover all appropriate expenses, to pay for the actions we've taken and have planned," Grubb said.

The money will be used to indemnify owners of poultry flocks and products destroyed to stop the latest outbreak of influenza and to offer hog producers incentives to voluntarily slaughter infected herds.

Quick action by the Department and administration in dealing with the latest avian influenza flareup "has put an early stop to its spread," Grubb said. "We have not found an infected flock in Pennsylvania in more than a month."

The disease has been contained in Pennsylvania at an estimated cost to date of about \$520,000. This does not include cleaning and disinfecting poultry buildings and equipment after flocks are destroyed.

"Cleaning and disinfecting outlays are part of the ongoing cost of doing business," Grubb said. "Such sanitary measures are essential in trying to prevent influenza outbreaks. It is ap-

propriate that these expenses be borne by the poultry owners and animal diseases.

With quick approval of the industry as part of our cooperative effort."

The Department proposes to tie future indemnity payments to important segments of the state's strict adherence to regulations number one industry," Grubb said.

Scholarship established

GETTYSBURG — A Scholarship Fund has been established in Adams County for the late Arthur Musselman. Arthur was well known throughout the state as a loyal, hard-working poultryman and Pennsylvania Farmers' Association member.

Anyone wishing to donate to this fund should send contributions to Treasurer, Calvin F. Bream, 865 Carroll's Tract Road, Gettysburg, Pa. 17325. Phone 717-642-8471.

The proceeds from this fund will be given to students seeking a career in agriculture or agribusiness.

Luke Bowser

(Continued from Page A33)

believes some of the milk surplus may be caused by distribution problems.

But promotion is helping alleviate the surplus, he noted. "It works for pop and it will work for milk."

Luke said that if the opportunity had not been open for him to farm with his father, he would probably be a herdsman. He did not get a college education, but believes the experience he has will be more beneficial. To continue his education, Luke is attending computer classes and will travel to

Graham School later this year.

Luke's wife, Julia, is another asset to his farming career. She was an exchange student from Peru and they met in high school.

Although she had no farming experience, she likes the farm and all that goes with it. One of her favorite jobs is naming the calves.

She also helped Luke prepare his winning scrapbook for the state contest. Both were surprised that Luke was named distinguished junior member, but they were quite pleased and hope to do as well on the national level.

Diamond E.M. HERR - Your Headquarters Systems For Poultry Equipment & Service

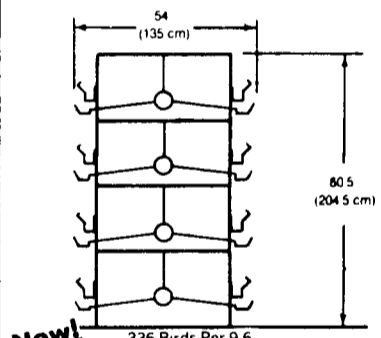
- Cage Parts
- Dropping Boards
- Feeder Parts
- Fan Parts
- Packer Parts
- Egg Belt
- Cups & Nipples
- and Motors

Update Your Existing Cage Houses And Increase Your Bulk Density More Than 3x's Your Present Capacity

Diamond Systems THE NEW SPACE SAVERS....

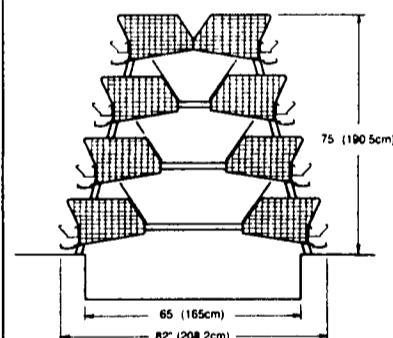
The Most Compact Systems On The Market Today

THE NEW GENERATION DIAMOND CAGE SYSTEMS W/ BELT MANURE REMOVAL



4-High Diamond Systems 904 Dry Manure-Belt
Labor saving In-house manure drying
Optimum climatic conditions. Improved laying performance. Excellent environment for the birds

THE CONTOUR CAGE SYSTEM 4-HIGH



Diamond 4-High System With Curtains Model 820
24"x20" Cage - 9 Birds/Cage
360 Birds per 10'

THIS WEEK'S SPECIAL PRICES ON POULTRY EQUIPMENT PARTS

NUPLAFLEX® CUP O-RING VALVE SEAL
Price **9¢** Ea.

FAN MOTORS ENERGY SAVERS
1/2 HP \$109.99
1 HP \$149.99

LIGHT BULBS
as low as **39¢** Each (Case Lots)

WATER FILTER CARTRIDGES
\$2.29

SCRAPPER CABLE STAINLESS STEEL
3/16".... **25¢** per Ft.
5/16".... **65¢** per Ft.

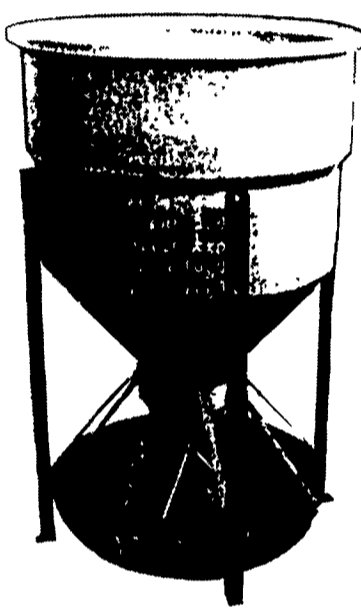
EGGSceptional quality!
You can bank on Diamond **FARM PACKERS**. They're made by Diamond Automation.

Exclusive Distributor For Diamond Systems In PA, NY, NJ, MD, DEL & VIRGINIA'S.
Call For Dean Gladfelter Sales Engineer

★ FULL LINE PARTS DEPARTMENT - WE SELL, SERVICE & INSTALL ★
EMHERR EQUIPMENT, INC.
RD 1 Rt 2725 Herrville Rd Willow Street PA 17584
Phone 717-464-3321 or Toll Free 800-732-0053

CORN CONVERTER HOG FEEDERS

FOR EVERY CONFINEMENT OPERATION



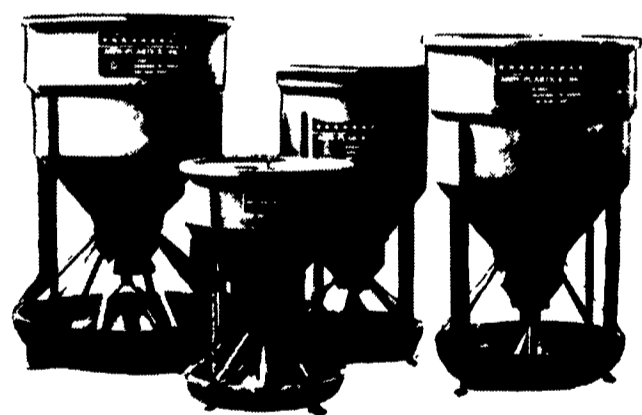
An innovative, new hog feeding system that is designed for today's demanding market.

Affordable, simple, long lasting quality materials, with feed savings second to none.

Recent research has demonstrated that hogs do not purposely waste feed. Feed wastage is a result of poor feeder design. Given the opportunity, hogs will eat in a neat and orderly fashion. Most feeders have a flat bottom trough where the hog has to hunt and root for fresh feed. In their attempt to get to fresh feed they are forced to move a paddle which dumps more feed into the trough. Often this is dumped on their face or nose to be thrown or taken from the feeder when they leave.

NOT SO WITH THE CORN CONVERTER
The unique design of the corn converter takes advantage of the intelligence of the hog and its desire to eat in a neat and orderly fashion. The smooth, high center cone, and the unobstructed round bottom trough, place all the feed where the hog can reach it comfortably. When this small quantity of feed is consumed, the hog makes a decision to reach up and move a lever dispensing more feed. As the animal sees the feed pass under its mouth it returns to the eating area, to consume the fresh feed, never leaving more than a small amount in the trough.

STAINLESS FEET ARE STANDARD ON ALL MODELS
ALSO AVAILABLE WITH DIVIDER PANELS FOR FENCE-LINE FEEDING INSTALLATIONS
A TOP CRANK PERMITS EASY LOCKING AND EASY ADJUSTMENT OF THE FEED FLOW
BETTER FEEDERS
BETTER EFFICIENCIES
BETTER PROFITS
LET YOUR HOGS SHOW YOU HOW EFFICIENT THEY CAN BE BY USING THE CORN CONVERTER



SALE! From Now Through April!
You Can Receive A 10% DISCOUNT on All CORN CONVERTER Feeders!
PLUS An Additional 3% Cash Discount!!
We also have other Top Quality Agri-Plastics Hog Equipment Such As: Milk Replacer Feeders, Flush Pans, Sow Feeders, PVC Creep Dividers, Creep Feed Pans, Electric Creep Hovers and Other Items.

Triple H Construction Co.

29 S. Charles St.
Ephrata, Pa. 17522
717-738-2142
The Farm Building Specialists

Custom Builders Of Dairy, Hog, Poultry, Horse, Storage And Commercial Buildings.