



Perry County DHIA Monthly Report

Richard L Maurer	3	54.6	86.3	19,678	684	
Alrada Farms	B3	99.7	85.6	18,503	681	
Richard G Smith	3	56.7	87.8	18,835	679	
Donald Dum	3	37.5	88.1	18,660	678	
Bratton View Farms	3	76.9	87.5	19,369	678	
Innerst Farm	G3	52.1	84.9	19,238	674	
Dumbelle Farms	B3	45.0	87.2	18,016	672	
Milligan Bros	3	67.6	86.6	19,192	666	
M W Smith Farms	B3	75.5	85.0	19,258	663	
David H Weller	B3	56.4	86.4	17,903	657	
R Jack Crozier	B3	43.7	84.8	18,570	649	
R Shambaugh B Barns	B3	46.7	87.2	17,802	648	
Lyons Brothers	B3	65.6	90.4	17,576	637	
Milmay Farm	3	56.8	85.3	17,388	637	
Oscar & Winie Campbell	B3	52.6	87.1	18,843	636	
Dean & Eric McMillen	B3	52.0	84.5	16,589	634	
Wm E Martin & Sons	3	159.1	86.9	17,647	633	
Benjamin E Dum	3	52.1	88.7	18,773	632	
Carl R Martin	B3	65.6	85.1	18,804	627	
John Timothy Adair	G3	39.9	84.6	16,088	623	
Howard & Paul Barkley	B3	58.9	88.8	16,443	623	
Perry M Kretzing	B3	87.9	88.4	16,943	622	
Earl E Brubaker	B3	64.4	85.1	17,699	619	
Arthur E Dum Jr	G3	45.0	91.4	18,076	619	
Edwin L Sheibley	B3	59.7	84.2	16,998	615	
Wayne-Gordon Stephens	B3	46.6	85.6	18,136	613	
Edward Horn	B3	39.4	85.5	17,596	611	
Vernon B Burkholder	B3	50.4	88.7	17,619	611	
John E Book	B3	41.2	87.5	17,304	609	
Melvin S Weaver	B3	66.9	84.6	17,398	607	
Roy E Hall	3	35.4	89.5	16,674	607	
Agrophilos Inc	B3	56.0	89.3	17,243	604	
James F Bolze	B3	72.1	88.3	16,899	602	
John L King	B3	46.4	85.4	17,212	600	
Alrada Farms						
		6.6	305	22,894	3.4	776
		6.0	305	19,685	3.7	719

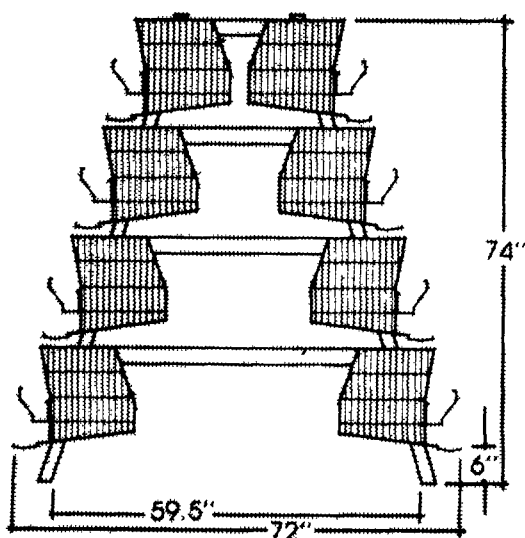
Owner	Brd	Age	No. Cows	Days In Milk	Lbs. Milk	Lbs. Fat
PERRY COUNTY DHIA February, 1986						
Ray E McMillen	3	71.0	87.4	20,964	770	
Kenneth R Benner	3	63.2	88.1	21,086	755	
J Ted Troutman Sons	B3	51.1	86.7	20,050	728	
Byersholm Farms	B3	17.7	95.4	18,984	722	
Carl E McMillen	3	80.5	87.8	18,433	704	
Ed & Merril Brofee	B3	141.8	84.6	19,537	701	
Robt & Bernice Gabel	3	42.1	89.4	20,272	696	
Ed & Wilma McMillen	3	42.3	85.5	19,608	693	
Dean Loy & Son	B3	52.3	88.4	19,306	690	
Nevin G Rice	B3	101.0	89.9	19,245	690	
Max Reapsome	3	59.5	86.7	19,033	686	

Bell	3.6	305	22,164	3.2	705
Blakb	0.0	305	16,867	4.2	710
Milmay Farm					
Charity	7.6	305	20,436	3.9	800
Carl E McMillen					
Ecstasy	7.3	305	21,238	3.8	815
Hardy	5.11	305	19,689	4.2	835
Michele	3.10	286	17,500	4.4	764
Ray E McMillen					
Jim	9.5	305	24,545	3.9	962
Java	5.0	305	24,366	4.0	978
#Jo Jo	3.1	305	21,071	3.9	815
Nevin G Rice					
289	6.5	305	21,498	3.9	839
372	3.11	305	16,941	4.6	781
Lyons Brothers					
Doris	3.3	305	19,717	3.6	717
Max Reapsome					
182	5.11	305	23,462	3.3	770
William E Martin & Sons					
593	4.3	305	24,543	3.1	762
741	2.1	305	18,966	3.8	722
Mt Home Farm					
445	6.11	305	20,023	3.7	748
496	5.7	305	19,658	3.9	769
Donald Dum					
Del	5.6	305	22,228	3.2	715
Dumbelle Farms					
Cristy	6.4	305	24,485	3.6	889
Milligan Bros					
Jessie	5.4	305	22,145	3.5	775
Bertha	4.2	305	19,933	4.1	813
Dean Loy & Son					

(Turn to Page D24)

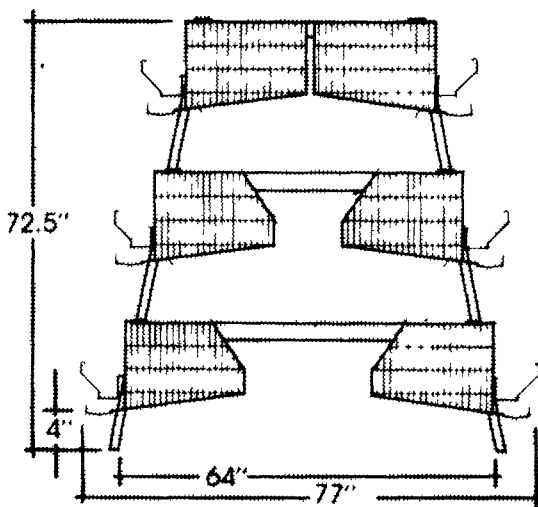
POPULAR BIG DUTCHMAN CAGE SYSTEMS FOR COMMERCIAL EGG PRODUCTION

Profit-Tier II



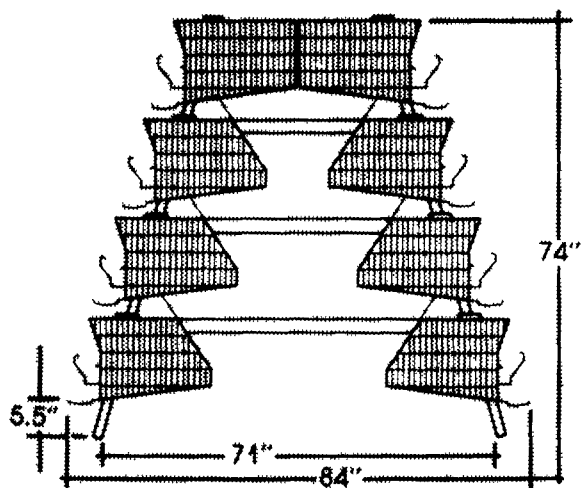
Available in 8-foot or 10-foot cage sections. Cage size options: 12"x14"; 15"x14"; 16"x14" and 24"x14".

Tri-Deck II



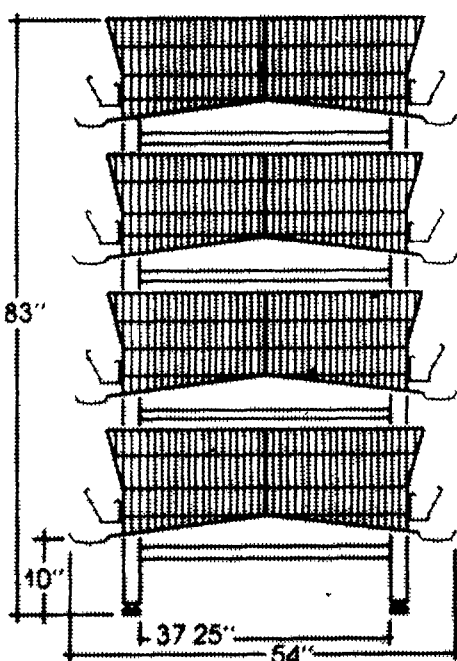
High density in the proven low profile cage design. Available in 8-foot or 10-foot cage sections. Cage size options: 12"x20"; 15"x20"; 16"x20" and 24"x20".

Profit-Tier 20



Four tiers of low profile, 20"-deep cages on a condensed row width for very high capacity without crowding. Available in 8-foot or 10-foot sections. Cage size options: 12"x20"; 15"x20"; 16"x20" and 24"x20".

Stak 454



Four tiers, 54-inch width overall, with quiet running belt manure removal. Cages installed in 8-foot sections. Cage size options: 12"x20"; 16"x20" and 24"x20".

Big Dutchman.



Big Dutchman offers the important features that make a cage system work better and last longer.

Food Science head named

UNIVERSITY PARK, Pa. - Dr Lowell D. Satterlee, from the University of Nebraska at Lincoln, has been named head of the Department of Food Science at The Pennsylvania State University.

He is currently serving as head of the Department of Food Science and Technology and director of the Food Processing Center at Nebraska.

Announcing the appointment, acting dean of the College of Agriculture W. Wayne Hinsh said, "We feel very fortunate that Dr. Satterlee has accepted this position. He is nationally known for his research in the chemistry of food proteins and has demonstrated commitment to both teaching and extension. Our Department of Food Science is one of the strongest in the country. Under Dr. Satterlee's direction the department will continue to thrive." Dr. Satterlee replaces Dr. Philip Keeney, who retired last year with emeritus rank.

READ LANCASTER FARMING FOR COMPLETE AND UP-TO-DATE MARKET REPORTS

Hess's BARBECUE CATERING

- Open Houses
- Company Picnics
- Private Parties

Pig Roast, Ox Roast, and More
LANCASTER CO.
717-464-3376

DIESEL FUEL PUMPS-INJECTORS

APRIL SPECIAL - Bring in your injector pump We will test your injectors FREE

FAY DIESEL SPECIALIST
251 E. Franklin St.
New Holland, PA 17557
(717) 354-2016

You'll save both time and money by calling our local diesel injection shop for quality and guaranteed work.
Hours: Mon.-Fri. 8 a.m. - 5 p.m.

HERSHEY EQUIPMENT COMPANY, INC.

SYCAMORE IND PARK 255 PLANE TREE DRIVE LANCASTER, PA 17603 (717) 393-5807

Route 30 West at the Centerville Exit.

Designers of Quality Systems for Poultry, Swine and Grain Handling