

USDA okays intramuscular injection of Philiguard

KENILWORTH, N.J. — Schering Animal Health has received USDA approval for the intramuscular administration of PILIGUARD™ Pinkeye. Previously restricted to subcutaneous injection, PILIGUARD Pinkeye was the first USDA-licensed pinkeye vaccine approved for cattle.

The newly approved intramuscular dose provides producers with an easier, more convenient method of administration. PILIGUARD

Pinkeye will be marketed under the Schering Animal Health label, a new designation for Schering products available through animal health suppliers. Originally introduced in 1983, the vaccine has been proven highly effective through extensive field use.

PILIGUARD Pinkeye prevents Moraxella bovis bacteria, the major cause of bovine pinkeye, from adhering to the eye. The vaccine's highly concentrated dose is made possible through Schering's advanced technology

and production techniques.

Two 2-ml intramuscular or subcutaneous doses of PILIGUARD Pinkeye are required for initial immunization.

The initial dose should be given six to eight weeks prior to pinkeye season, which generally peaks in mid- to late summer. A second dose should be administered one to four months after the first injection. Cattle should not be slaughtered within 21 days of vaccination.

For more information on

PILIGUARD Pinkeye, contact Animal Health, 2000 Galloping Hill Road, Kenilworth, N.J. 07033. Telephone: 201-558-4434.

ROPE IN SOME EXTRA CASH!

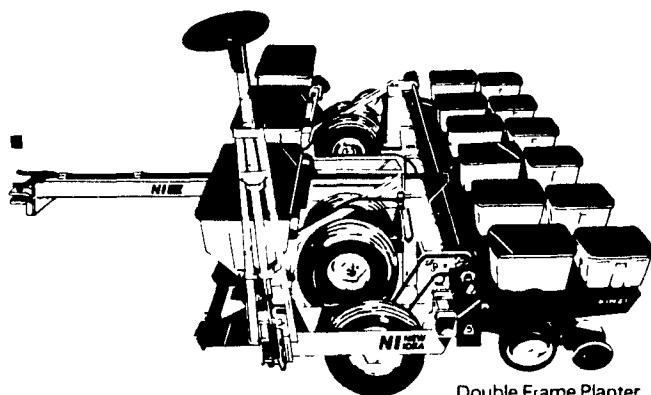
Advertise With A Lancaster Farming CLASSIFIED AD

Phone 717 394 3047 or 717 626 1164

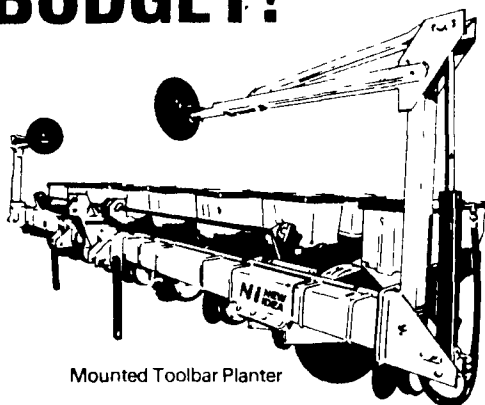


NEW IDEA PLANTERS . . .

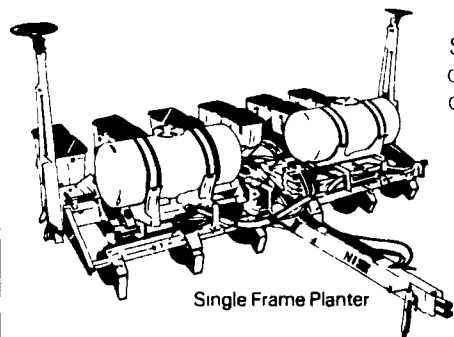
A FULL LINE TO MEET ANY PLANTING REQUIREMENT AT ANY PLANTER BUDGET!



Double Frame Planter

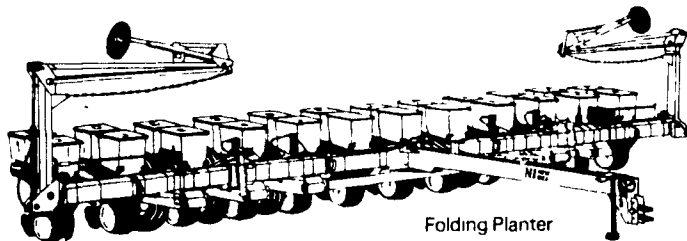


Mounted Toolbar Planter



Single Frame Planter

See us today for your planter requirements. With the full line choice from New Idea you can fit the planter, not only to your operation, but to your budget as well!



Folding Planter

GET CASH BACK DIRECT FROM NEW IDEA!

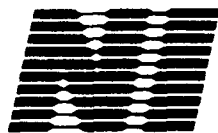


NOW'S THE TIME TO BUY NEW IDEA PLANTERS

Make your best deal! Combine it with New Idea's Interest Waiver or 9.9% financing and GET CASH BACK with the "Value Plus Rebate!"

- \$ 250 on 4 Row Planters
- \$ 500 on 6 Row Planters
- \$ 750 on 8 Row Planters
- \$1200 on 12 Row Planters

Now's the time to buy because the already affordable prices of New Idea just got better!



NEW IDEA

— SEE YOUR NEW IDEA DEALER TODAY —

PENNSYLVANIA

- Airville**
FARMERS EQ & SUPPLY CO., INC
717 862 3967 or 3968
- Bechtelsville**
MILLER EQUIPMENT
215 845 2911
- Bethel**
ZIMMERMAN'S FARM SERVICE
717 933 4114
- Canton**
WYNNE'S GARAGE
717 673 8456
- Carlisle**
ERNEST SHOVER FARM EQUIPMENT
19 West South St
717 249 2239
- Cochranville**
STOLTZFUS FARM SERVICE
215 593 2407
- Cresson**
HINES EQUIPMENT
814 886 4183
- Bellwood**
814 742 8171

Dover
GEORGE N GROSS, INC
717 292 1673

Easton
FANCY FURROW FARMS AG EQ
215 252 8828

Ephrata
ROY H BUCH INC
RD 2
717 859 2441

Gettysburg
YINGLING'S IMPLEMENTS
717 359 4848

Greencastle
MEYERS IMPLEMENTS INC
717 597 2176

Hamburg
SHARTLESVILLE FARM SERVICE
RD 1
215 488 1025

Honesdale
MARSHALL MACHINERY, INC
717 729 7117

Jersey Shore
THOMAS L DUNLAP
717 398 1391

Jerseytown
WILLIAM F WELLIVER
717 437 2430

Jonestown
HEISEY FARM EQUIP INC
RD 1
717 865 4526

Klingerstown
STANLEY'S FARM SERVICE
717 648 2088

Lancaster
LANDIS BROS INC
717 291 1046

Lebanon (Fontana)
UMBERGER S OF FONTANA
RD 4
717 867 5161

Mahaffey
HUTTON FARM EQUIPMENT
814 277 5504

Manheim
N G HERSHEY AND SON
717 665 2271

Maxatawny
N H FLICKER & SONS INC
215 683 7252

Mill Hill
DUNKLE AND GRIEB
717 726 3115

New Holland
A B C GROFF, INC
717 354 4191

Oakland Mills
PEOPLES SALES & SERVICE INC
717 463 2735

Quakertown
C J WONSIDLER BROS
215 536 1935

Quarryville
A L HERR & BRO
717 786 3521

Reynoldsville
MCGARVEY EQUIP INC
814 653 9637

Spring Mills
C & P FULTZ EQUIPMENT
RD 1
814 422 8805

State College
R T MARKLE
1841 Pine Hall Drive
814 237 3141

Tunkhannock
ACE JURISTA, INC
717 836 2610

MARYLAND

Churchville
WALTER G COALE, INC
301 734 7722
301 879 1434

Frederick
KNOTT & GEISBERT, INC
RD 2
301 662 3800

Hagerstown
ANTIETAM FORD TRACTOR
301 791 1200

Linboro
WERTZ GARAGE, INC
301 374 2672

Rising Sun
BIGGS, INC
301 658 5531

NEW JERSEY

Bridgeton
LESLIE FOGG INC
609 935 5145

Columbus
REED BROS EQUIPMENT
609 298 3441