

**MAILBOX MARKET FOR SALE**

Deutz 100-06 tractor, 100HP, \$7,500; Calumet 3200 gallon sprayer on Ford tandem truck, \$6,500; gutter grates, 16" Tioga Co 717-324-2103  
 51 Federal 5 ton truck, 5,800 mis., original tires, cab has rust, engine free, needs U-joint, \$500. Lanc. Co 717-529-2126.  
 Ford pulley fits 9N & 8N, \$

Pair 10 year old matched black mares, single or double, 1500 lb., driven in parades. Swab wagon, complete. Franklin Co. 717-263-4227.  
 1940 Brockway w/10' dump, \$650. 717-458-5959.  
 Alfalfa and clover hay, \$70/ton. Fisher 2 door woodburn stove, good condition, \$200. Nort'd. Co. 717-275-4725  
 Registered Morgan gelding, 6 years old, 15.1 hands, well broke, excellent trail horse, \$800 Big Ridge Morgans, Bedford Co. 814-847-2802 or 847-2697.

1969 Chevrolet w/grain dump, 2600 GVW, good shape, \$3,800; Farmal H, \$800. Berks Co. 215-286-5422.  
 JD 2550 w/cab, 430 hrs.; Ford F700, 1982, 16" alum. dump, like new, Farmer Boy MKdel 40 hog pen feeders & waterers. Montg. Co. 215-584-5168.  
 Planner molder 4', 9" belt pulley cuts 9" wide, 6" thick JD 60 H blower, 540 RPM; JD 74 corn and pu harvester, IA 2 row mtd corn picker, 2M. Leb Co 717-867-1317.  
 Pick up head for NH 892 harvester, used 1 season, very little; Fox blower, very good cond. Lanc. Co 717-665-3865.

JD 3020 diesel, JD spring harrow, JD steel wheels, 3 Fairbanks scales. Wanted: PTO corn sheller 717-354-5115.  
 Clover seed, \$50/bu. Will deliver within 50 miles of Kutztown. 215-683-7943.  
 3400 Ford with 730 loader and 753 backhoe Snyder Co. 717-374-4246 after 4 PM.  
 Old bank barn lumber and wood beams free for dismantling and removal Dry run area. Franklin Co 717-249-5005.  
 Small bucket-a-day stove, \$50; good ox yoke, \$60; porter cable floor sander, \$50. Berks Co 215-286-9682.

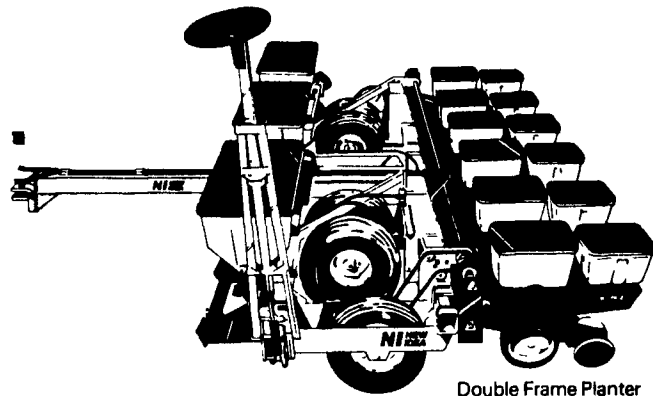
Singer seed potato splitter-cutter, VG cond. Harford Co. 301-452-5122 eves.  
 Girton 1,000 gal. bulk milk tank, exc. cond, 2 4-HP compressors, w/washer, needs repairs. Montour Co. 717-742-8044.  
 B-61 Mack TT, completely restored, exc. mechanical cond., 673 diesel engine, duplex trans, 22" new rubber, \$4,500. Breezewood, PA, 814-735-4211  
 Motorcycle, Yamaha 400, 1982, exc. cond York Co 717-993-3350 after 7 PM.  
 Guernsey bull, registered, 2 yrs. old. Lanc Co., Kirkwood, 717-529-2530.

Gray gander Lanc Co. 717-284-4618  
 Parts, instruction book Huber light four tractor, \$20; McDe grain binder set-up and operate book, \$15. 716-554-6479.  
 Ohio State University tested spotted boars, service age. Mountain View Spot farm. Fulton Co 717-573-2823.  
 1979 Case 885 tractor, 43 HP, orchard fenders, very good cond, \$5,700 Gloucester Co., NJ 609-467-3263.  
 Arps snow blower, 6'6", 3 pt., good cond., \$200 Lanc Co. 717-872-5136

Used magazines: Game News, American Rifleman, Organic Gardening, PA Angler, Western Horseman. Several years, all new cond Lanc. 717-872-2327.  
 8 year old Belgian mare, acclimated, ready to go. Works anywhere. John K. Fisher, RD 1, Box 403, Bird-in-Hand, PA 17505  
 JD 4010 diesel, good cond., WFE roof, roll bar, \$5,600. 215-445-5880, no Sunday calls  
 Columbian coal range in fair cond. Along 372, close to Georgetown. Christian Petersheim, Box 91-A, Christiana, PA 17509.

**NEW IDEA PLANTERS . . .**

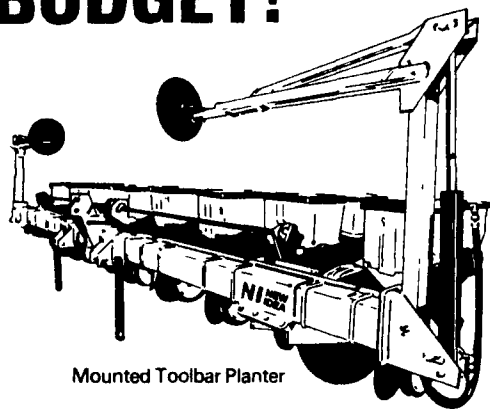
**A FULL LINE TO MEET ANY PLANTING REQUIREMENT AT ANY PLANTER BUDGET!**



Double Frame Planter

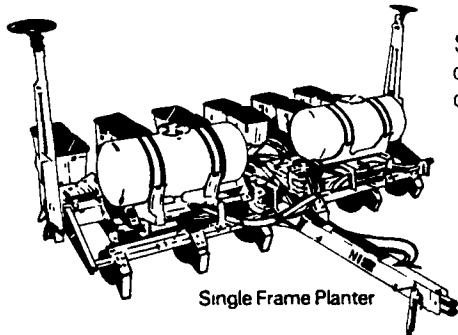
Whatever your planting requirements, there's a New Idea Planter to meet them!

New Idea's full line includes 4, 6, 8, and 12 row models - single frame, double frame or folding models - mounted or trailing models - all featuring heavy-duty construction from the hitch to the main frame to the markers. Plus, all New Idea Planters feature dependable Kinze row units for precise seed placement. In addition, all models are available with a variety of attachments that give you even greater planter flexibility.

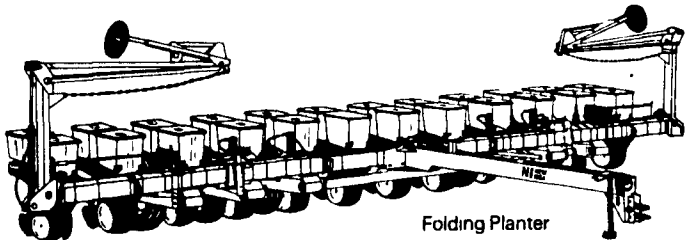


Mounted Toolbar Planter

See us today for your planter requirements. With the full line choice from New Idea you can fit the planter, not only to your operation, but to your budget as well!



Single Frame Planter



Folding Planter

**GET CASH BACK DIRECT FROM NEW IDEA!**



**NOW'S THE TIME TO BUY NEW IDEA PLANTERS**

Make your best deal! Combine it with New Idea's Interest Waiver or 9.9% financing and GET CASH BACK with the "Value Plus Rebate!"

- \$ 250 on 4 Row Planters
- \$ 500 on 6 Row Planters
- \$ 750 on 8 Row Planters
- \$1200 on 12 Row Planters

Now's the time to buy because the already affordable prices of New Idea just got better!

**NEW IDEA**

**SEE YOUR NEW IDEA DEALER TODAY**

**PENNSYLVANIA**

- Airville**  
FARMERS EQ & SUPPLY CO., INC  
717 862 3967 or 3968
- Bechtelsville**  
MILLER EQUIPMENT  
215 845 2911
- Bethel**  
ZIMMERMAN'S FARM SERVICE  
717 933 4114
- Canton**  
WYNNE'S GARAGE  
717 673 8456
- Carlisle**  
ERNEST SHOVER FARM EQUIPMENT  
19 West South St  
717 249 2239
- Cochranville**  
STOLTZFUS FARM SERVICE  
215 593 2407
- Cresson**  
HINES EQUIPMENT  
814 886 4183
- Bellwood**  
814 742 8171

- Dover**  
GEORGE N. GROSS, INC  
717 292 1673
- Easton**  
FANCY FURROW FARMS AG EQ  
215 252 8828
- Ephrata**  
ROY H. BUCH, INC  
RD 2  
717 859 2441
- Gettysburg**  
YINGLING'S IMPLEMENTS  
717 359 4848
- Greencastle**  
MEYERS IMPLEMENTS, INC  
717 597 2176
- Hamburg**  
SHARTLESVILLE FARM SERVICE  
RD 1  
215 488 1025  
H. Daniel Wenger, Prop
- Honesdale**  
MARSHALL MACHINERY, INC.  
717-729-7117
- Jersey Shore**  
THOMAS L. DUNLAP  
717 398 1391

- Jerseytown**  
WILLIAM F. WELLIVER  
717 437 2430
- Jonestown**  
HEISEY FARM EQUIP., INC  
RD 1  
717 865 4526
- Klingerstown**  
STANLEY'S FARM SERVICE  
717 648 2088
- Lancaster**  
LANDIS BROS. INC  
717 291 1046
- Lebanon (Fontana)**  
UMBERGER'S OF FONTANA  
RD 4  
717 867 5161
- Mahaffey**  
HUTTON FARM EQUIPMENT  
814 277 5504
- Manheim**  
N G. HERSHEY AND SON  
717 665 2271
- Maxatawny**  
N H. FLICKER & SONS, INC  
215 683 7252

- Mill Hall**  
DUNKLE AND GRIEB  
717 726 3115
- New Holland**  
A B C GROFF, INC  
717 354 4191
- Oakland Mills**  
PEOPLES SALES & SERVICE, INC  
717 463 2735
- Quakertown**  
C J WONSIDLER BROS  
215 536-1935
- Quarryville**  
A L HERR & BRO  
717 786 3521
- Reynoldsville**  
MCGARVEY EQUIP., INC  
814 653 9637
- Spring Mills**  
C & P FULTZ EQUIPMENT  
RD 1  
814 422 8805
- State College**  
R T. MARKLE  
1841 Pine Hall Drive  
814 237 3141

**MARYLAND**

- Churchville**  
WALTER G. COALE, INC  
301 734 7722  
301 879 1434
- Frederick**  
KNOTT & GEISBERT, INC  
RD 2  
301 662 3800
- Hagerstown**  
ANTIETAM FORD TRACTOR  
301 791 1200
- Linboro**  
WERTZ GARAGE, INC  
301 374 2672
- Rising Sun**  
BIGGS, INC  
301 658 5531
- NEW JERSEY**
- Bridgeton**  
LESLIE FOGG INC.  
609 935 5145
- Columbus**  
REED BROS. EQUIPMENT  
609 298 3441