

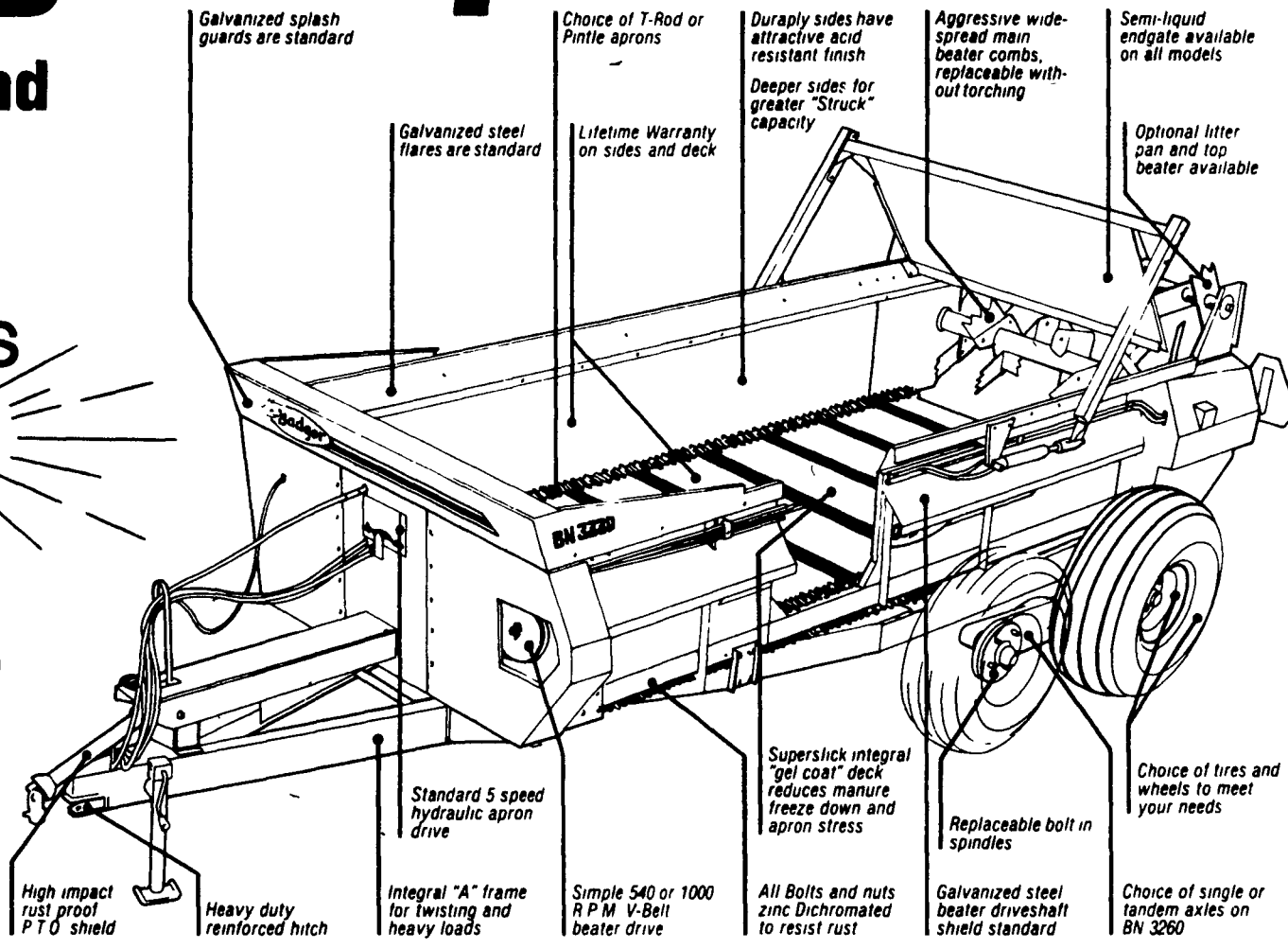
Badger Spreaders

It's our bread and butter!

**Spreader Specials
Buy now and save!**

**FACTORY DISCOUNTS
TO - \$1500**

• Selection - Five models to choose from!
Remember, spreaders have been Badger's Bread and Butter for over 37 years. Stop in now for the spreader deal of the year!
See Your Badger Dealer Today!



Galvanized splash guards are standard

Choice of T-Rod or Pintle aprons

Durably sides have attractive acid resistant finish
Deeper sides for greater "Struck" capacity

Aggressive wide-spread main beater combs, replaceable without torching

Semi-liquid endgate available on all models

Galvanized steel flares are standard

Lifetime Warranty on sides and deck

Optional litter pan and top beater available

Standard 5 speed hydraulic apron drive

Superslick integral "gel coat" deck reduces manure freeze down and apron stress

Replaceable bolt in spindles

Choice of tires and wheels to meet your needs

High impact rust proof P.T.O. shield

Heavy duty reinforced hitch

Integral "A" frame for twisting and heavy loads

Simple 540 or 1000 R.P.M. V-Belt beater drive

All Bolts and nuts zinc Dichromated to resist rust

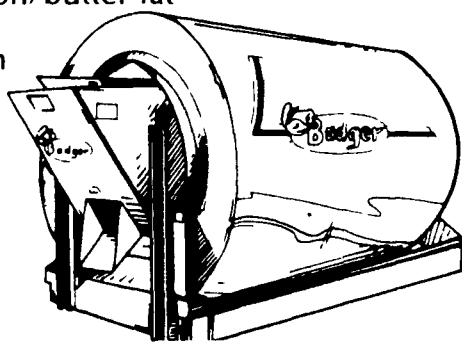
Galvanized steel beater driveshaft shield standard

Choice of single or tandem axles on BN 3260

Standard equipment varies according to model

Badger Feed Weigher/Mixer Tumble-Mix

- CBR — Complete blended rations with Badger Tumble Mix
- Maximize production/butter fat
- Reduce feed costs
- Improve herd health
- Better feed conversion
- Takes the guesswork out of feeding



WE OFFER A FULL LINE OF EQUIPMENT WITH FINANCING OR LEASING

Badger Parts and Service

We carry a strong inventory of Genuine Badger Northland replacement parts. We sell Badger equipment and it is our policy to be in a position to service what we sell . . . fast. You can depend on Badger products and you can depend on us to provide Badger Quality Service.



4 MONTHS WAIVER ON ALL FARMSTEAD EQUIPMENT



- | | | | | | |
|--|--|---|--|--|---|
| BRAD-TRO EQUIP. CO.
RD 2, Box 401
Troy, PA 16947
PH (717) 297-4246 | HETRICK FARM SUPPLY
Rt 1
New Bethlehem, PA 16242
PH (814) 275-3507 | MELVIN G. MILLER
RT 2
Spring Mills, PA 16875
PH (814) 422 8279 | SHOW EASE-STALL CO.
573 Willow Rd
Lancaster, PA 17601
PH (717) 299 2536 | WILLIAMS FARM SYSTEMS
RD 1 Box 324
Linden PA 17744
PH (717) 322 6164 | DUDLEY CHANCE & SON
RT 1
Galena, MD 21635
PH (301) 928 3834 |
| JOHN BROWN
RD 1 Box 9
Forksville, PA 18616
PH (717) 924 3492 | HONESDALE SPREADING SERVICE INC.
505 Cliff St
Honesdale PA 18431
PH (717) 253-2410 | MONTROSE TRACTOR SALES CO.
P.O. Box 99, 74 Grow Ave
Montrose PA 18801
PH (717) 278-3845 | SWOPE & BASHORE, INC.
RD 1 Box 173
Myerstown, PA 17067
PH (717) 933 4138 | WOLFE'S BADGER SALES
RD 1 Box 420
Milton PA 17847
PH (717) 524 0931 | HEFLM SALES & SERVICE
12312 Oak Hill Rd
Woodsboro, MD 21798
PH (301) 898-3233 |
| FANCY FURROW FARMS AG EQUIP., INC.
RD 1, Uhler Rd
Easton, PA 18042
PH (215) 252-8828 | HUTTON FARM EQUIPMENT
c/o Joe Hutton
Mahaffey, PA 15757
PH (814) 277-5504 | THEODORE MONTROSS
RD 3
Dallas, PA 18612
PH (717) 333 4147 | TROY MOTORS CO.
Troy, PA 16947
PH (717) 297-3674 | LEONARD WORK
RD #3
Brookville PA 15825
PH (814) 849 3361 | C & C FARMERS SUPPLY
RD 8 Box 23A
Harrisonburg, VA 22801
PH (703) 433 8582 |
| C. PAUL FORD & SON
RT 1
Everett, PA 15537
PH (814) 652-2051 | RALPH KETTERER
Deep Run Box 98 Rt 1
Perkasie, PA 18944
PH (215) 766-8531 | PIKEVILLE EQUIPMENT INC.
RT 2
Oley, PA 19547
PH (215) 987-6277 | UNIONTOWN FARM EQUIPMENT CO.
P O Box 1030 Rt 119
Uniontown, PA 15401
PH (412) 437 9851 | CECIL DAIRY SERVICE
RD 1 Rt 274
1/2 Mr South Rising Sun MD 21911
PH (301) 658 6923 | CARLYLE GRIMM
Bridgewater, VA 22812
PH 703-828-3626 |