



# Farm Women Societies

## Lancaster Society 11

Lancaster Society 11 met at the home of Grace Ann Chase on Jan. 30 with president Helen Wagner in charge.

The Audit and Sunshine Committees gave reports and the secretary and treasurer reports were given and approved.

The program included a review of the by-laws and reports from the State Convention.

The next meeting will be Feb. 27 at the home of Aleta Wilbar, 271 Fifth Street, Quarryville.

## Lancaster Society 26

Lancaster Society 26 met on Jan. 23 in the home of Martha Kline. Ruby Esbenshade was co-hostess.

Lucille Buckwalter, vice president, conducted the business meeting. Joan Summy was in charge of devotions.

Verna Hostetter and Joan

Hershey gave state Farm Show reports.

The Game and Social Committee conducted some games and then the members enjoyed refreshments.

The next meeting will be Feb. 27 at the home of Dorothy Hess.

## Lancaster Society 28

Lancaster Society 28 met at the home of Mabel Zimmerman, Strasburg, on Jan. 23.

President Thelma Hess conducted the business meeting. Speaker was Paul Widjaja from Indonesia who is in the United States as a Mennonite Central Committee trainee. He is living

with the Zimmermans for six months.

The members exchanged gifts with their secret sisters.

Ruth Mellinger reported on the State Convention. The Spring Rally will be held in May at the York Fairgrounds. The next meeting will be held at the home of Ruth Bare, Bird-in-Hand.

## Green Valley

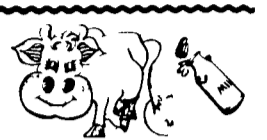
### Society 26

Members of Green Valley Society 26 met on Jan. 21 at the I-83 Restaurant.

The delegates to the state convention gave a report on the activities.

The group sent a contribution to the American Lung Association.

The February meeting will be held at the home of Ruth Kann, York Haven.



**BREAKING MILK RECORDS!**

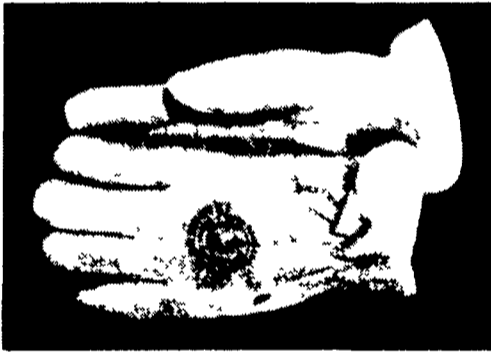
Lancaster Farming Carries  
DHIA Reports Each Month!

**DON'T BE SLOW**   
Call Now To Place Your CLASSIFIED AD  
Ph. 717 394 3047 or 717 626 1164



### WORK GLOVES for WOMEN!

women's sizes S-M-L  
lined & unlined suede pigskin



FREE BROCHURE

womanswork dept. LF  
RD 539K  
So. Berwick, Maine 03908



### AG TEC The All-Purpose Sprayer

For:  
Sweet Corn,  
Nursery,  
Vegetables-  
Gives Them  
Wrap-Around  
Protection  
Orchard &  
Vineyard  
Heads

**Featuring:**

- 190 MPH Air Stream Available
- Rotating Head (3 Pt. Hitch or Pull-Type) Sprays With The Wind
- Low Volume Efficiency Reduces Chemical & Fuel Cost



**SMALL CASH OUTLAY**

Consider Our 3 Yr. Leasing Program At Less Than 12% On Any Ag Tec Sprayer  
See Us For Details

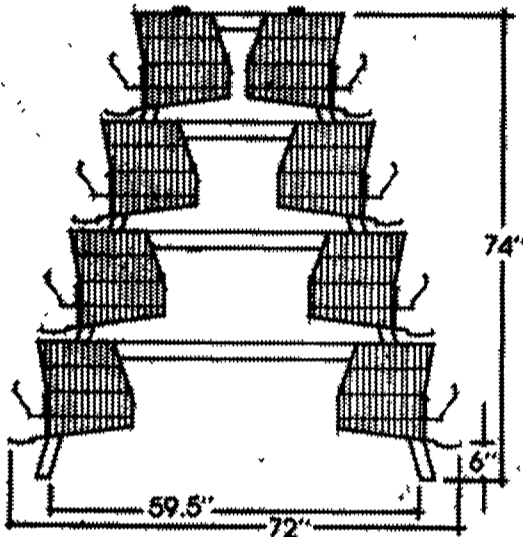
Lancaster County's Only Dealer Specializing In Sprayer Sales & Service

### LESTER A. SINGER

96 N. Ronks Rd. Ronks, PA 17572  
(717) 687-6712 or 295-2308  
Mon. - Fr. 8 to 5; Sat. 8 to 12

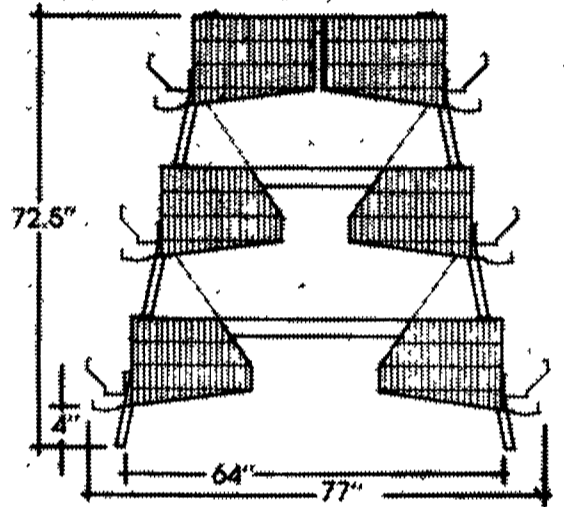
## POPULAR BIG DUTCHMAN CAGE SYSTEMS FOR COMMERCIAL EGG PRODUCTION

### Proff-Tier II



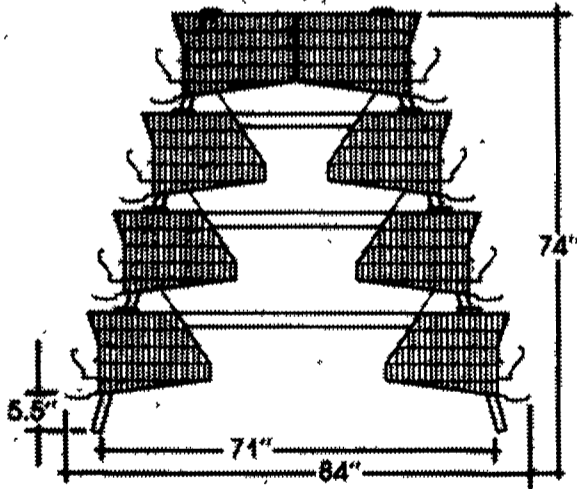
Available in 8-foot or 10-foot cage sections. Cage size options: 12"x14"; 15"x14"; 16"x14" and 24"x14".

### Tri-Deck II



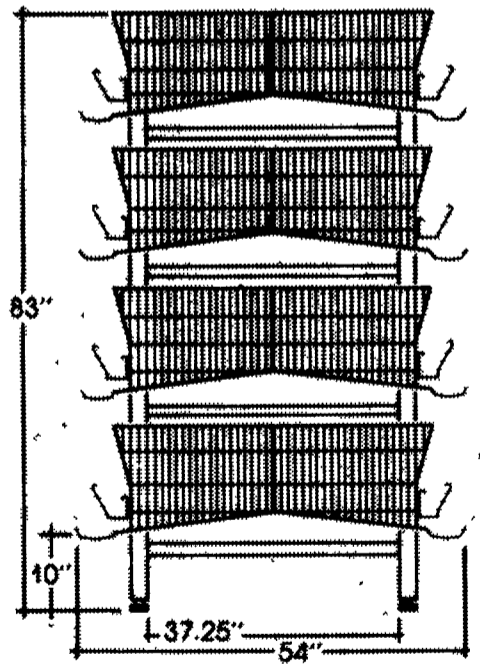
High density in the proven low profile cage design. Available in 8-foot or 10-foot cage sections. Cage size options: 12"x20"; 15"x20"; 16"x20" and 24"x20".

### Proff-Tier 20



Four tiers of low profile, 20" deep cages on a condensed row width for very high capacity without crowding. Available in 8-foot or 10-foot sections. Cage size options: 12"x20"; 15"x20"; 16"x20" and 24"x20".

### Slak 454



Four tiers, 54-inch width overall, with quiet running belt manure removal. Cages installed in 8-foot sections. Cage size options: 12"x20"; 16"x20" and 24"x20".

## Big Dutchman.



Big Dutchman offers the important features that make a cage system work better and last longer.



**H**  
HERSHEY EQUIPMENT  
COMPANY, INC.

SYCAMORE IND. PARK  
255 PLANE TREE  
DRIVE  
LANCASTER, PA 17603  
(717) 393-5807

Route 30 West  
at the  
Centerville Exit.

Designers of Quality Systems for Poultry, Swine and Grain Handling