

MAILBOX MARKET
FOR SALE

(2) single sided 6 hole and 2 single sided 8 hole stainless steel nursery feeders, brand new. \$100. and \$125. each. Lancaster Co. 215-484-2233

3 year old Nubian buck. Exc. bloodlines. Has straightened legs and tightened utters. \$200. York Co. 717-637-9375.

AC 200 tractor, 2300 dual hydraulics, 38" rubber, front weights; also weather cab for same. York Co. 717-927-6020.

Steel Wheels, 26" centers, 50 1/2" H, 14" W. 717-423-6442

Med. Red Clover Seed, clean, germ. tested,

\$45./bu. Rebeck. North'd Co. 717-758-3166

Honey Wagon, 800 gal. wood stove Glenwood w/coal grates, fans, Agway 24" & 36". Salem Co., NJ. 609-692-9424

JD 3010 w/cab, in excellent condition, \$5,000.

Also 2010 in good condition, \$2,800. Somerset Co. 814-267-5263

8 ton Brock feed bin, 5/16 used stainless steel cable, 100' 7x18 flat wagon bed. Lanc. Co. 717-656-6667

NI 217 spreader w/engate; 28' Case single chain hay & corn elevator; 275 gal. fuel tank w/pump. Lanc. Co. 717-656-6714

1973 Ford F100 pickup, 302 auto., power steering; Single row mechanical transplanter. Lanc. Co. 717-872-4450

No. 12 Landis Shoe Sole Stitcher, working order, \$500. Northampton Co. 215-588-7101

Wards wood stove w/auto. draft, \$100.; Stationary cordwood saw, \$35.; JD model L w/plow & cultivators, \$950. Carroll. 301-374-4957

1968 Chev. Nova, rebuilt motor, less than 500 miles, needs body work, paint; Popup Camper as is \$500. fopr both. 301-452-8430

Sickle bar off JD, 7', draw bar mount, hyd. lift blade and 9" air tire, \$100. Lebanon Co. 717-865-3982

Chest freezer 15 cu. ft. West, like new, 45x35x27, \$195. Firm. York. 717-382-4795

Homegrown clover seed, \$55. N.G. Martin, R.D.1, Box 334, Center Church Rd., East Earl, Pa. 17519. Lanc. Co.

100 Angus Cows, bred to Hereford due start calving Feb. 15. Augusta Co. 703-363-5505 evenings.

Potato Equip: Iron Age planter, sprayer, grader, Brownie Bagger Champ. 2 row digger. Reas. Lehigh Co., Pa. 215-262-6478

Maytag washer and gas dryer, \$85. Both. Chester Co. 215-942-3163

300 IH utility tractor, PS, loader, 5' bucket, 3 or 2 point hitch, V.G.C., \$2,200.; 6' scraper blade, 2-p hitch, \$150. Lehigh. 215-965-5612

Homegrown Saranoc alfalfa seed; Orchard grass seed; Wheat Straw; Nice green Alfalfa Hay; Locust Posts. Lehigh Co. 215-756-6618

IH 584 tractor, new tires, \$4,500.; NI 206 manure spreader on steel end gate, \$1,175.; NI 323 picker, \$1,095.; NH 461 haybine, \$995. 717-354-0266

Warm Morning Stove, model 460-B, serial no. 6615 Jacob K. Stoltzfus,

149 S. Groffdale Rd., Leola, Pa. 17540.

Meat Scales Dayton, to 15 lbs., to 1.25, collectors item, \$35.; Frazer 26" tiller, large, \$3,700. new, all parts available, \$500. West Chester. 215-696-1703

Used top buggy in good cond., new rubber tires w/brakes & lights. Union Co. 717-922-1763

Black Shouldered Pea Fowl, 85 hatched. McKean Co. Richard Boyle, 28 Munn Rd., R.D.1, Bradford, Pa. 16701.

Arts Way 420 grinder mixer, 1,000 rpm, shaft, good condition. Warren Co., NJ. 201-362-6847

Breeder Age Dog and Puppies, German Shepherds, Labrador Retrievers, Bassets, Cocker Spaniels, Poodles, Some Breeders Terms. Berks. 717-933-8695

Alfalfa Hay, 2nd cutting, \$80. ton or negotiable. Also high moisture corn. Franklin Co. 717-762-5005

13' Allis Chalmers disc, \$750.; Round bales clover mixed hay, this years 900 lb. bales, \$15/bale; Yearling registered polled Hereford bulls, Reasonable. 215-589-2966 or 717-866-4185

Large Franklin Stove, almost new, all extras. Make Offer. Lanc. Co. 717-529-6367

NI 10 spreader original on steel. Also 10A spreader, sharp. Leb. Co. Early morning 717-949-3074 or evenings 703-879-9926.

Grey leather 34" waist chaps and brown 28" waist chaps, matching vest; English saddle and western saddle and bridle. Dauphin Co. 717-944-3977

1979 Ford L/N 700, 370 motor, 5 + 2, 10-20 tires, 166" W.B., power steering, cab and chassey, 27,500 GVW, \$6,800. Cambria Co. 814-472-7038 after 5 p.m.

1973 Ford L/N 700, 330 motor, 5 + 2, 900-20 tires, 220" W.B., 23,000 GVW, cab and chassey, \$2,800. Cambria Co. 814-472-7038 after 5 p.m.

Industrial TD662 crawler loader w/rear remote, excellent, \$4,700., PTO available. New Enterprise, Pa., Bedford Co. 814-766-2754

Used buggy, \$800. John Esh, R.D.1, Box 288, Kirkwood, Pa. 17536. Along Liberty Lane.



OUR NEWEST QUICK-ATTACH LOADER

BUSH HOG®

SERIES 2240 QT

FRONT END LOADER

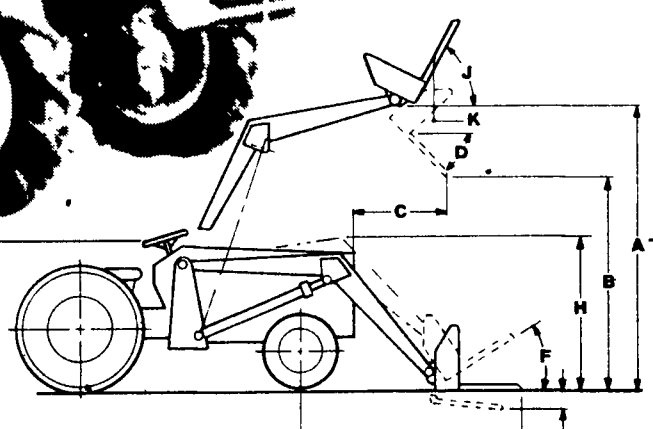
THE PERFECT LOADER FOR SMALLER HORSEPOWER TRACTORS...A HEFTY LIFTING CAPACITY AT AN AFFORDABLE PRICE

The new Bush Hog 2240 QT Front End Loader is ideal for use on small or large farms for barn cleaning, nurseries, smaller contractors and hobby farmers. Despite its small size, it delivers a full 1000 lbs. of lift, making it a real workhorse for all material handling chores.

Designed to mount to two and four wheel drive tractors, the 2240 QT attaches or detaches in less than three minutes — and it has a low mounting profile for good visibility. You get a choice of 48 or 60-inch buckets with optional single lever hydraulic control and bucket leveling indicator.



HERE'S HOW TO RAISE YOUR TRACTOR'S VERSATILITY AND LOWER YOUR WORK DEMANDS.



A Maximum Lift Height	98	H Overall Height in Carry Position	51
B Clearance with Attachment Dumped	76	J Rollback with Loader at Full Height	95°
C Reach at Maximum Height	25	K Lift Capacity to Full Height	1000 lbs
D Maximum Dump Angle	50°	Breakaway Capacity	1500 lbs
E Reach with Attachment on Ground	58		
F Attachment Rollback Angle	20°		
G Digging Depth	4		

SEE YOUR LOCAL BUSH HOG DEALER

- | | | | | |
|---|--|--|---|---|
| BINKLEY & HURST BROS. INC.
Lititz, PA
717-626-4705 | GEORGE N. GROSS, INC.
Dover, PA
717-292-1673 | MARSHALL MACHINERY INC.
Honesdale, PA
717-729-7117 | PEOPLES SALES & SERVICE
Oakland Mills, PA
717-463-2735 | STRALEY FARM SUPPLY INC.
Dover, PA
717-292-4443 |
| CLAPPER FARM EQUIPMENT
RD 1
Alexandria, PA
814-669-4465 | A.L. HERR & BROS.
Quarryville, PA
717-786-3521 | MILLER SALES & SERVICE INC.
Stewartstown, PA
717-993-2470 | PETERMAN FARM EQUIPMENT, INC.
Carlisle, PA
717-249-5338 | TRACTOR PARTS CO.
Bloomsburg, PA
717-784-0250 |
| THOMAS L. DUNLAP
Jersey Shore, PA
717-398-1391 | KELLER'S FARM MACHINERY, INC.
Quakertown, PA
215-536-4046 | NEUHAUS'ES INC.
Glen Rock, PA
717-428-1954 | STANLEY'S FARM SERVICE
Klingerstown, PA
717-648-2088 | UMBERGER'S OF FONTANA
Lebanon, PA
717-867-5161 |
| FARMERSVILLE EQUIPMENT, INC.
Ephrata, PA
717-354-4271 | LEHIGH AG EQUIPMENT
Wescosville, PA
215-398-2553 | NICHOLS FARM EQUIP.
Bloomsburg, PA
717-784-7731 | STOLTZFUS FARM SERVICE
Cochranville, PA
215-593-2407 | C.J. WONSIDLER BROS.
Quakertown, PA
215-536-1935 |



All-Plant LIQUID PLANT FOOD

9-18-9 PLUS OTHERS!

- Contains 100% white ortho phosphoric acid. Made in USA.
- Non-corrosive. Won't settle.
- Top quality. Excellent service.
- Newest equipment.
- Financially sound... and growing!

Big Demand Requires More Distributors!

- I sell to farmers. How do I become your distributor?
- I'm a farmer. What's the price? Where do I get it?

CALL or SEND FOR FACTS:
Phone: 814-364-1349

ALL-PLANT LIQUID PLANT FOOD, INC.
821 State Rd. 511 N., RFD 3,
Ashland, Ohio 44805