

# Badger Spreaders

**It's our bread and butter!**

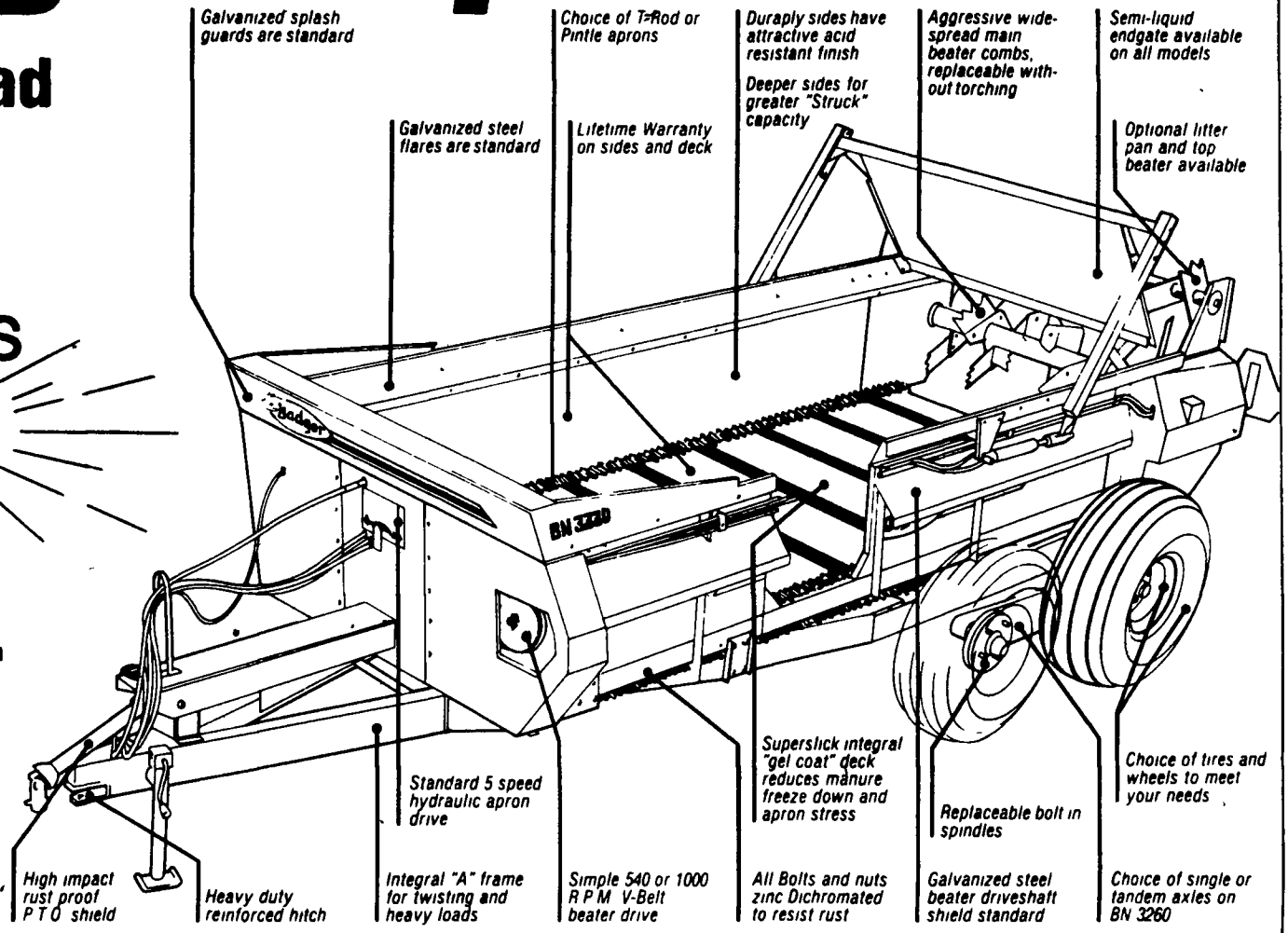
Spreader Specials  
Buy now and save!

**FACTORY DISCOUNTS**

**TO \$1500**

• Selection - Five models to choose from!  
Remember, spreaders have been Badger's Bread and Butter for over 37 years. Stop in now for the spreader deal of the year!

**See Your Badger Dealer Today!**



Galvanized splash guards are standard

Choice of T-Rod or Pintle aprons

Durably sides have attractive acid resistant finish  
Deeper sides for greater "Struck" capacity

Aggressive wide-spread main beater combs, replaceable without torching

Semi-liquid endgate available on all models

Galvanized steel flares are standard

Lifetime Warranty on sides and deck

Optional litter pan and top beater available

Standard equipment varies according to model

High impact rust proof PTO shield

Heavy duty reinforced hitch

Integral "A" frame for twisting and heavy loads

Simple 540 or 1000 R P M V-Belt beater drive

Superslick integral "gel coat" deck reduces manure freeze down and apron stress

Replaceable bolt in spindles

Choice of tires and wheels to meet your needs

Galvanized steel beater driveshaft shield standard

Choice of single or tandem axles on BN 3260

## Silo Unloader Experts

# Badger

Now With **3 Year Limited Warranty**

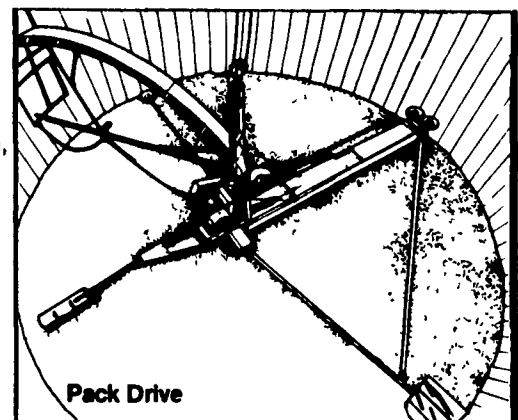
Five Plus good reasons to replace with Badger

1. Frame of high strength angle iron.
  2. Two powerful models.
  3. Built by the best engineers, welders, assemblers and painters in the business.
  4. High-in-the-dome suspension for greater silo capacity.
  5. Rugged 10-inch auger with double fitting on outer end.
- PLUS...we'll guarantee you the best service in town.

**WE OFFER A FULL LINE OF EQUIPMENT WITH FINANCING OR LEASING**

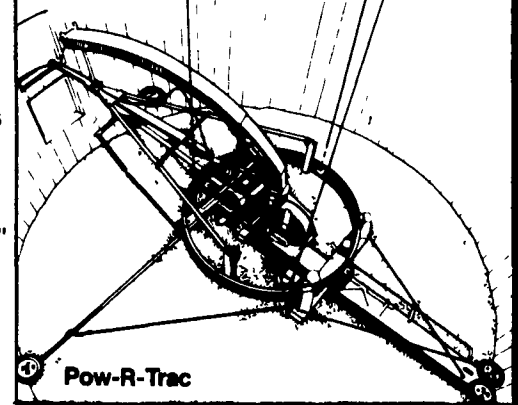
**4 MONTHS WAIVER ON ALL FARMSTEAD EQUIPMENT**

Badger Pack Drive ... a workhorse of unbelievable determination in big, large diameter silos. All components heavy duty and made for years of tough duty.



Pack Drive

Badger Pow-R-Trac ... finest ring drive silo unloader on the market today. That's why we mean it when we say "look at the rest then buy the best ... Badger."



Pow-R-Trac



**BRAD-TRO EQUIP. CO.**  
RD 2, Box 401  
Troy, PA 16947  
PH (717) 297-4246

**HETRICK FARM SUPPLY**  
Rt 1  
New Bethlehem, PA 16242  
PH (814) 275-3507

**MILLER EQUIPMENT INC.**  
RD #7 Box 256A  
Greensburg, PA 15601  
PH (412) 539 8966

**PIKEVILLE EQUIPMENT INC.**  
RT 2  
Oley, PA 19547  
PH (215) 987 6277

**UNIONTOWN FARM EQUIPMENT CO.**  
P O Box 1030 Rt 119  
Uniontown, PA 15401  
PH (412) 437 9851

**CECIL DAIRY SERVICE**  
RD 1 Rt 274  
1/2 Mi. South Rising Sun MD  
21911  
PH (301) 658 6923

**JOHN BROWN**  
RD 1 Box 9  
Forksville, PA 18616  
PH (717) 924 3492

**HOMESDALE SPREADING SERVICE INC.**  
505 Cliff St  
Honesdale, PA 18431  
PH (717) 253 2410

**MELVIN G. MILLER**  
RT 2  
Spring Mills, PA 16875  
PH (814) 422 8279

**SHOW EASE-STALL CO**  
573 Willow Rd  
Lancaster, PA 17601  
PH (717) 299 2536

**WILLIAMS FARM SYSTEMS**  
RD 1 Box 324  
Linden, PA 17744  
PH (717) 322 6164

**DUDLEY CHANCE & SON**  
RT 1  
Galena, MD 21635  
PH (301) 928 3834

**FANCY FURROW FARMS AG EQUIP., INC.**  
RD 1 Uhler Rd  
Easton, PA 18042  
PH (215) 252 8828

**HUTTON FARM EQUIPMENT**  
c/o Joe Hutton  
Mahaffey, PA 15757  
PH (814) 277-5504

**MONTROSE TRACTOR SALES CO.**  
P O Box 99, 74 Grow Ave  
Montrose, PA 18801  
PH (717) 278 3845

**SWOPE & BASHORE, INC.**  
RD 1 Box 173  
Myerstown, PA 17067  
PH (717) 933 4138

**WOLFE'S BADGER SALES**  
RD 1 Box 420  
Milton, PA 17847  
PH (717) 524 0931

**HEFLIN SALES & SERVICE**  
12312 Oak Hill Rd  
Woodsboro, MD 21798  
PH (301) 898-3233

**C. PAUL FORD & SON**  
RT 1  
Everett, PA 15537  
PH (814) 652-2051

**RALPH KETTERER**  
Deep Run Box 98 Rt 1  
Perkasie, PA 18944  
PH (215) 766-8531

**THEODORE MONTROSS**  
RD 3  
Dallas, PA 18612  
PH (717) 333-4147

**TROY MOTORS CO.**  
Troy, PA 16947  
PH (717) 297-3674

**LEONARD WORK**  
RD #3  
Brookville, PA 15825  
PH (814) 849-3361

**C & C FARMERS SUPPLY**  
RD 8 Box 23A  
Harrisonburg, VA 22801  
PH (703) 433-8582