

## Pioneer exec urges acreage reduction

DES MOINES, IA — A major seed company official today urged Secretary of Agriculture John Block to sharply reduce 1986 crop acreage planted by U.S. farmers.

Carrol Bolen, a vice president of Pioneer Hi-Bred International, wrote Secretary Block that the conference committee's farm bill, assuming it is passed by Congress and signed by the President, offers several opportunities to help farmers.

Bolen suggested that 1986 corn acreage should be reduced by approximately 15 per cent below that of 1985. Such a cut would put U.S. corn acreage at 71 to 73 million acres compared to about 83 million planted in 1985.

"While this may sound like an unusual request from a company dependent upon sales of seed," Bolen said in a letter to Block, "it stems from two facts which I

believe you, as a farmer, know as well as I. The first is that farmers will plant all their crop acres unless there is adequate incentive to idle a portion of them. Evidence of this is our seed corn orders for 1986 planting, which are five per cent greater than they were a year ago.

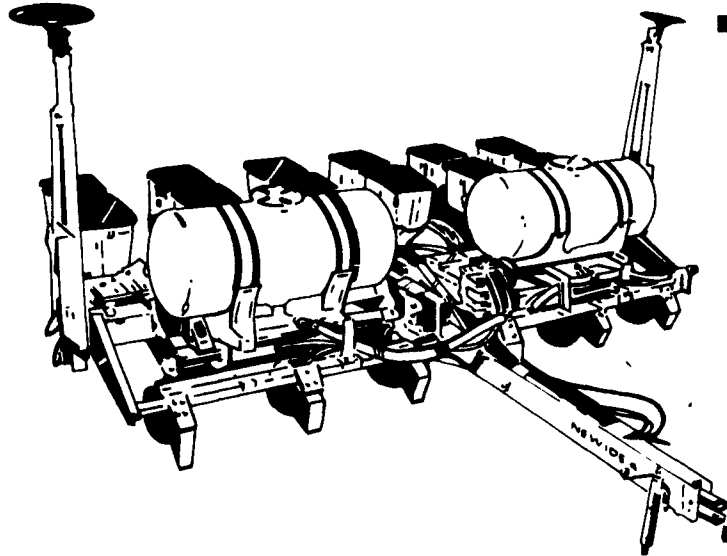
"We also know," Bolen continued, "that unless 1986 crop production is held in check, the

country could well find itself with serious grain carryover problems next fall — even greater than those in the fall of 1982."

Unless corn acreage is cut by at least 15 per cent in 1986, Bolen said, "our customers and those of us in agribusiness could face devastating adjustments in 1987." Achieving a 15 per cent cut in 1986 might require farmers par-

ticipating in the program to idle 20 per cent of their base corn acreage, Bolen suggested.

Bolen also urged Secretary Block to announce farm program details quickly, to use all the authority given him by the new bill to expand exports of farm products and to make maximum use of the new authority permitting long term idling of land that would go into soil-conserving uses.



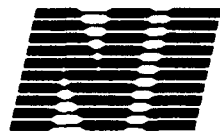
# OUTSTANDING PLANTER VALUES

The New Idea Single Frame Planters are built with top yield and profit in mind! These planters provide accurate and consistent seed placement, quality construction, and have all-welded tubular steel frames to carry a full complement of row units and attachments.

Choose from either pull-type or 3 point hitch fully-mounted models with available row spacings of 4-row narrow, 4-row wide, 6-row narrow, 6-row wide or 8-row narrow. Also available are many row unit attachments that provide added versatility to your planting system.

**Strong  
on  
Value!**

**Before you make a planter purchase, check out the weight, strength and value of the New Idea Planters. You'll be glad you did!**



## NEW IDEA

**— SEE YOUR NEW IDEA DEALER TODAY —**

### PENNSYLVANIA

**Airville**  
FARMERS EQ. & SUPPLY CO., INC.  
717 862 3967 or 3968

**Bechtelsville**  
MILLER EQUIPMENT  
215 845 2911

**Bethel**  
ZIMMERMAN'S FARM SERVICE  
717 933 4114

**Canton**  
WYNNE'S GARAGE  
717 673 8456

**Carlisle**  
ERNEST SHOVER  
FARM EQUIPMENT  
19 West South St  
717 249 2239

**Cochranville**  
STOLTZFUS FARM SERVICE  
215 593 2407

**Cresson**  
HINES EQUIPMENT  
814 886 4183

**Bellwood**  
814 742 8171

**Dover**  
GEORGE N GROSS, INC  
717 292 1673

**Easton**  
FANCY FURROW FARMS AG EQ  
215 252 8828

**Ephrata**  
ROY H BUCH, INC  
RD 2  
717 859 2441

**Gettysburg**  
YINGLING'S IMPLEMENTS  
717 359 4848

**Greencastle**  
MEYERS IMPLEMENTS, INC  
717 597 2176

**Hamburg**  
SHARTLESVILLE  
FARM SERVICE  
RD 1  
215 488 1025

**H Daniel Wenger, Prop**

**Honesdale**  
MARSHALL MACHINERY  
717 729 7117

**Jersey Shore**  
THOMAS L DUNLAP  
717 398 1391

**Jerseytown**  
WILLIAM F WELLIVER  
717 437 2430

**Jonestown**  
HEISEY FARM EQUIP., INC  
RD 1  
717 865 4526

**Klingerstown**  
STANLEY'S FARM SERVICE  
717 648-2088

**Lancaster**  
LANDIS BROS INC  
717 291 1046

**Lebanon (Fontana)**  
UMBERGER'S OF FONTANA  
RD 4  
717 867 5161

**Mahaffey**  
HUTTON FARM EQUIPMENT  
814 277 5504

**Manheim**  
N G HERSHEY AND SON  
717 665 2271

**Maxatawny**  
N H FLICKER & SONS, INC  
215 683 7252

**Mill Hall**  
DUNKLE AND GRIEB  
717 726 3115

**New Holland**  
A B C GROFF, INC  
717 354 4191

**Oakland Mills**  
PEOPLES SALES & SERVICE, INC  
717 463-2735

**Quakertown**  
C.J. WONSIDLER BROS  
215 536 1935

**Quarryville**  
A L HERR & BRO  
717 786 3521

**Reynoldsville**  
McGARVEY EQUIP., INC  
814 653 9637

**Spring Mills**  
C & P FULTZ EQUIPMENT  
RD 1  
814 422 8805

**State College**  
R T MARKLE  
1841 Pine Hall Drive  
814 237 3141

**Tunkhannock**  
ACE- JURISTA, INC.  
717-836 2610

### MARYLAND

**Churchville**  
WALTER G COALE, INC  
301 734-7722  
301 879 1434

**Frederick**  
KNOTT & GEISBERT, INC.  
RD 2  
301-662-3800

**Hagerstown**  
ANTIETAM FORD TRACTOR  
301 791 1200

**Linboro**  
WERTZ GARAGE, INC  
301 374 2672

**Rising Sun**  
BIGGS, INC  
301 658 5531

### NEW JERSEY

**Bridgeton**  
LESLIE FOGG INC  
609 935 5145

**Columbus**  
REED BROS EQUIPMENT  
609 298 3441

