

Pa. FFA awards state degrees

(Continued from Page D39)

then attend Penn State and raise Hampshires.

Somerset County

Drew Brant

Drew Brant is the son of Mr. and

Mrs. W.J. Brant of Rockwood. His projects include beef finishing, beef breeding and swine breeding. As a member of the Rockwood FFA Chapter he has participated in various contests, including parliamentary procedure team,

livestock judging team and FFA basketball team.

He has served his chapter as chaplain and treasurer and is currently serving as vice president. Drew's other activities include varsity wrestling, varsity track, volleyball club, and 4-H.

He is a member of the Somerset County Beef Producers and a



Henry Zerby



Drew Brant



Steven Hoffman



David Peck

member of the American Chianina Association.

He plans to attend college to major in physical therapy.

Keith Deal

Keith Deal is the son of Mr. and Mrs. Walter Deal of Salisbury. Keith has been president and vice president of the Meyersdale FFA Chapter and held the office of county treasurer.

He participated in the second place Demonstration Contest in the state and in the Somerset County Public Speaking and Parliamentary Contests.

Keith owns a dairy herd and works on the home farm. After serving in the U.S. Air Force, he plans to continue farming.

Kevin Deal

Kevin Deal, the son of Mr. and Mrs. Walter Deal, Salisbury, is treasurer of the Meyersdale FFA Chapter.

He is active in many chapter committees and works on the home farm for his supervised occupational experience program.

Kevin plans to continue farming after graduation.

Steven Hoffman

Steven Hoffman is the son of Mr. and Mrs. Edward Hoffman of Rockwood. Steven is a senior at Rockwood High School and is enrolled in vocational agriculture.

His projects include swine breeding and finishing and working on and off the farm. Steven is currently chapter treasurer and served as sentinel last year.

Steven's future plans are to attend college and major in dairy science.

David Peck

David Peck, 17, is the son of Mr. and Mrs. John L. Peck, Fort Hill. A student at Salisbury-Elk Lick, David has been a member of the Mt. Davis FFA Chapter for four years.

David has taken the baby beef project and has served on the Ag Advisory Committee.

He holds the Greenand and Chapter degrees and served as junior advisor.

David enjoys sports, music, hunting and woodworking and plans to attend college or a trade school.

Keystone Degrees

continued in Section E



BUSH HOG®

2640 QT FRONT END LOADER

• For 40 to 80 horsepower tractors • Attaching buckets - 48 to 80 inch widths

A Perfect Match For Popular 4-Wheel Drive Tractors.

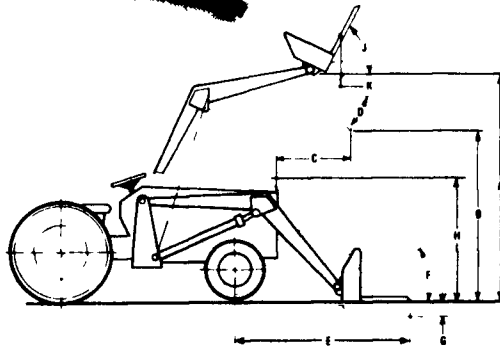
You'll find a lot to like in Bush Hog's new 2640 QT Series Front End Loader—quick attaching, plenty of clearance around tractor tires, built for durability and outstanding performance on the job.

Bucket leveling indicators and parking stands are standard equipment, and attachments include 48, 60, 72, and 80-inch buckets. A handy fork lift is also available.

The 2640 QT will attach to two-wheel drive tractors and, should you obtain a four-wheel drive tractor at a later date, it will easily adapt to your new tractor.

Mainframe: One-piece welded 3/16" high strength steel box construction with 1/2" hydraulic lines
Subframe: One piece 3/16" steel construction
Hydraulic controls: Two 2-1/4" bore, 27-3/4" stroke double-acting bucket cylinders and two 2" bore, 21-1/2" stroke double-acting lift cylinders
Bucket leveling indicator: Heavy duty leveling indicator is standard equipment to maintain leveling of the bucket
Breakaway capacity: Approximately 3000 lbs
Speed of lift (Empty): Six seconds

- 48", 60", 72", 80" regular duty material buckets
- 60" and 72" heavy duty material buckets
- 60" manure bucket with teeth
- 60" heavy duty manure bucket with teeth
- Fork lift attachment



- A. Maximum lift height: 127"
- B. Clearance with attachment dumped: 100"
- C. Reach at maximum height: 35"
- D. Maximum dump angle: 47°
- E. Reach with attachment on ground: 75"
- F. Attachment rollback angle: 5°
- G. Digging depth: 4'
- H. Overall height in carry position: 66"
- J. Rollback with loader at full height: 83°
- K. Lift capacity to full height: 2600 lbs

Specifications based on tractor system of 2630 psi hydraulic pressure and 11 gpm pump capacity. Specifications will vary with different tractors.

Side cutting edges
 Bucket teeth
 Dirt plates

SEE YOUR LOCAL BUSH HOG DEALER

BINKLEY & HURST BROS. INC.
 Lititz, PA
 717-626-4705

CLAPPER FARM EQUIPMENT
 RD 1
 Alexandria, PA
 814-669-4465

THOMAS L. DUNLAP
 Jersey Shore, PA
 717-398-1391

FARMERSVILLE EQUIPMENT, INC.
 Ephrata, PA
 717-354-4271

GEORGE N. GROSS, INC.
 Dover, PA
 717-292-1673

A.L. HERR & BROS.
 Quarryville, PA
 717-786-3521

KELLER'S FARM MACHINERY, INC.
 Quakertown, PA
 215-536-4046

LEHIGH AG EQUIPMENT
 Wescosville, PA
 215-398-2553

MARSHALL MACHINERY INC.
 Honesdale, PA
 717-729-7117

MILLER SALES & SERVICE INC.
 Stewartstown, PA
 717-993-2470

NEUHAUS'ES INC.
 Glen Rock, PA
 717-428-1954

NICHOLS FARM EQUIP.
 Bloomsburg, PA
 717-784-7731

PEOPLES SALES & SERVICE
 Oakland Mills, PA
 717-463-2735

PETERMAN FARM EQUIPMENT, INC.
 Carlisle, PA
 717-249-5338

STANLEY'S FARM SERVICE
 Klingerstown, PA
 717-648-2088

STOLTZFUS FARM SERVICE
 Cochranville, PA
 215-593-2407

STRALEY FARM SUPPLY INC.
 Dover, PA
 717-292-4443

TRACTOR PARTS CO.
 Bloomsburg, PA
 717-784-0250

UMBERGER'S OF FONTANA
 Lebanon, PA
 717-867-5161

C.J. WONSIDLER BROS.
 Quakertown, PA
 215-536-1935

FRANK A. FILLIPPO, INC.

**- WANTED -
 DISABLED & CRIPPLED
 COWS, BULLS & STEERS**

**Competitive Prices Paid
 Slaughtered under
 government inspection**

**Call: Frank Fillippo -
 Residence - 215-666-0725
 Elam Ginder - 717-367-3824
 C.L. King - 717-786-7229**