

Montgomery 4-H to offer teen leadership program

CREAMERY The Montgomery County 4-H Clubs and the Toastmasters International will offer a special teen leadership program to all area young men and women between the ages of 14-19 who wish to improve their ability to communicate—in public speaking, in conversation and in writing.

The eight-week program will begin on Monday, Jan. 20 and continue for seven consecutive Monday nights up to and including March 10th from 7 to 9:30 p.m.

There will also be a special graduation program open to family and friends of the participants. The program will be held at the Montgomery County 4-H Center located on Route 113, one mile south of Route 73 near Skippack.

Prior experience in public speaking or involvement in 4-H is not necessary. Those signing up for the course will automatically become 4-H members for the year.

The Leadership program is not a formal "course" in public

speaking such as might be offered in a classroom. Rather, the program covers a wide variety of experiences we all meet daily.

You will "learn by doing" by practicing speaking before group members and hold organized discussions in which all will join so that participants can become better acquainted with the techniques of group discussion and interaction.

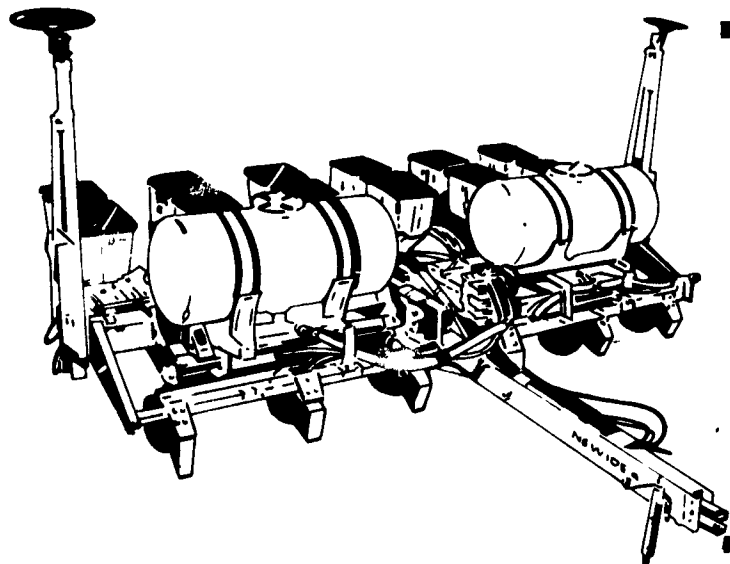
According to program coordinator Dean Crouthamel of Lansdale, a member of the

Doylestown Toastmasters, the purpose of the program is not to produce "orators," but to help teens develop self confidence and the ability to speak and listen better. It will be an experience that will help teens in school, at home and in the future work world. Individual Toastmasters from the Doylestown, Norristown and Valley Forge Clubs will be among the instructors for the course.

Advance registration is required. Please send your name, address, phone number birthdate

and current age to: Montgomery County 4-H Agent, Nancy M. Kadwill, Box 20, 1015 Route 113, Creamery, Pa. 19430. There is a \$5 donation asked for each participant, which is refundable if the teen attends all the sessions. Please send a check payable to "4-H Development Fund" and send it along with your registration.

For more information on 4-H or the Toastmasters Youth Leadership Program call Nancy Kadwill at 489-4315.



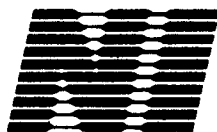
OUTSTANDING PLANTER VALUES

The New Idea Single Frame Planters are built with top yield and profit in mind! These planters provide accurate and consistent seed placement, quality construction, and have all-welded tubular steel frames to carry a full complement of row units and attachments.

Choose from either pull-type or 3 point hitch fully-mounted models with available row spacings of 4-row narrow, 4-row wide, 6-row narrow, 6-row wide or 8-row narrow. Also available are many row unit attachments that provide added versatility to your planting system.

**Strong
on
Value!**

Before you make a planter purchase, check out the weight, strength and value of the New Idea Planters. You'll be glad you did!



NEW IDEA

— SEE YOUR NEW IDEA DEALER TODAY —

PENNSYLVANIA

Airville
FARMERS EQ & SUPPLY CO., INC
717 862-3967 or 3968

Bechtelsville
MILLER EQUIPMENT
215 845 2911

Bethel
ZIMMERMAN'S FARM SERVICE
717 933 4114

Canton
WYNNE'S GARAGE
717 673 8456

Carlisle
ERNEST SHOVER
FARM EQUIPMENT
19 West South St
717 249 2239

Cochranville
STOLTZFUS FARM SERVICE
215 593 2407

Cresson
HINES EQUIPMENT
814 886 4183

Bellwood
814 742 8171

Dover
GEORGE N GROSS, INC
717 292 1673

Easton
FANCY FURROW FARMS AG EQ
215 252 8828

Ephrata
ROY H. BUCH, INC
RD 2
717 859 2441

Gettysburg
YINGLING'S IMPLEMENTS
717 359 4848

Greencastle
MEYERS IMPLEMENTS, INC
717 597 2176

Hamburg
SHARTLESVILLE
FARM SERVICE
RD 1
215 488 1025

H Daniel Wenger, Prop

Honesdale
MARSHALL MACHINERY
717 729 7117

Jersey Shore
THOMAS L. DUNLAP
717 398 1391

Jerseytown
WILLIAM F WELLIVER
717 437 2430

Jonestown
HEISEY FARM EQUIP., INC
RD 1
717 865 4526

Klingerstown
STANLEY'S FARM SERVICE
717 648 2088

Lancaster
LANDIS BROS. INC
717 291 1046

Lebanon (Fontana)
UMBERGER'S OF FONTANA
RD 4
717 867 5161

Mahaffey
HUTTON FARM EQUIPMENT
814 277 5504

Manheim
N G HERSHEY AND SON
717 665 2271

Maxatawny
N H FLICKER & SONS INC
215 683 7252

Mill Hall
DUNKLE AND GRIEB
717 726 3115

New Holland
A.B.C. GROFF, INC
717 354 4191

Oakland Mills
PEOPLES SALES & SERVICE, INC
717 463-2735

Quakertown
C J WONSIDLER BROS
215 536-1935

Quarryville
A. L. HERR & BRO
717-786 3521

Reynoldsville
McGARVEY EQUIP., INC
814 653 9637

Spring Mills
C & P FULTZ EQUIPMENT
RD 1
814 422-8805

State College
R T MARKLE
1841 Pine Hall Drive
814 237 3141

Tunkhannock
ACE-JURISTA, INC
717 836-2610

MARYLAND

Churchville
WALTER G COALE, INC
301 734 7722
301 879 1434

Frederick
KNOTT & GEISBERT, INC
RD 2
301 662-3800

Hagerstown
ANTIETAM FORD TRACTOR
301-791-1200

Linboro
WERTZ GARAGE, INC
301-374-2672

Rising Sun
BIGGS, INC.
301-658-5531

NEW JERSEY

Bridgeton
LESLIE FOGG INC.
609-935-5145

Columbus
REED BROS. EQUIPMENT
609-298-3441

