

Hoover, Brandt top Lebanon DHIA

LEBANON — Hoover Farms captured the "High Herd — Fat" award, while David Brandt was honored for the "High Herd — Milk" at the Lebanon DHIA Annual Awards Banquet.

Hoover Farms, operated by Dale and Dean Hoover, attained a 736-pound average butterfat with a herd of 130 registered Holsteins.

also averaging 20,327 pounds of milk and 632 pounds of protein.

David Brandt captured the milk production award by averaging 20,664 pounds of milk with 74 cows. The herd also averaged 721 pounds of butterfat and 647 pounds of protein.

Walter Martin of Myerstown captured the High Individual Cow

— Milk trophy, with 29,518 pounds, while Dale Hostetter and Sons of Annville won the High Individual Cow — Fat award with 1,267 pounds.

White Birch Farm won the award for the herd with the lowest somatic cell count, at 102,000.

James Z. Brubaker, Richland and Dale and Darlene Bucher of Myerstown won the awards for top increases for the herd. Brubaker's herd increased 3,821 pounds in milk, 99 pounds in protein and 72 pounds in fat, while the Bucher herd jumped 118 pounds in fat, 2,826 pounds in milk and 88 pounds in protein.

Glen R. Martin, Lebanon, won the award for the highest herd average in protein, with 648 pounds, while "Dancer" earned the High Individual Cow — Protein award for the Jay and Carol Hershey farm.



Winner of the High Herd-Milk trophy, was David Brandt, right, shown here with his wife Jeannette and sons Carl, left rear, and Daniel, second from right.

Pa. youth recognized by National Grange

WASHINGTON, D.C. — Several Pennsylvania youth were recognized during the recent National Grange Convention in Eugene, Ore.

Janet Rudy of Sewickly was selected a Youth Ambassador.

In the National Public Speaking contest Meecee Baker of Lincoln University was named a first place winner. Melinda Berger, Kutztown, was selected Reporter of the Year, while Dana Fogle and Heidi Miller, both of Chest Springs, were recognized for ceramic crafts.



High Herd-Fat honors went to Dale, left, and Reid Hoover of Hoover Farms, Lebanon RD 4.

COZY COWmat

EARLY WINTER SPECIAL

\$43.00 Size 4'x6'

TEXTURED
NON-SLIP SURFACE

100% PURE RUBBER

10 Year Written Warranty

NATURALLY COMFORTABLE

We Deliver [Install
For More Information
Write Or Call:



Vanco
the rubber mat specialist

R.D. 4, Box 300, Carlisle, PA 17013
Call Collect 717-776-3494

LANCASTER FARMING'S CLASSIFIED ADS GET RESULTS!
Phone: 717-394-3047 or 717-626-1164

BUCKETS & FORKS

For Skid Steer Loaders

Built To Order

NOW AVAILABLE FOR MOST MAKES AND MODELS



• FORKS
40" to 72" Standard,
8" Increments
Special Sizes On Request

• BUCKETS
Various Shapes And
Widths According
To Order

Bucket Cutting Edge Available, Beveled One Side, Any Length.

5 Sizes: 3/8"x3', 1/2"x3', 1/2"x4', 3/4"x4', 5/8"x6'

Save your textured concrete surfaces with Rubber Blade Edges. We can supply in any length up to 98" and punch for any hole spacing.

WHOLESALE AND RETAIL

AI Ag-Tech Industries

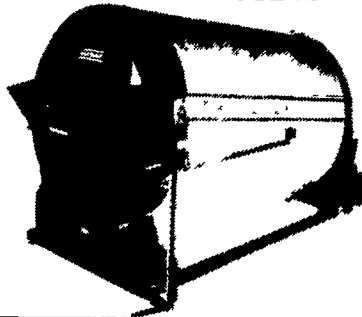
325 West Main St.

New Holland, PA 17557

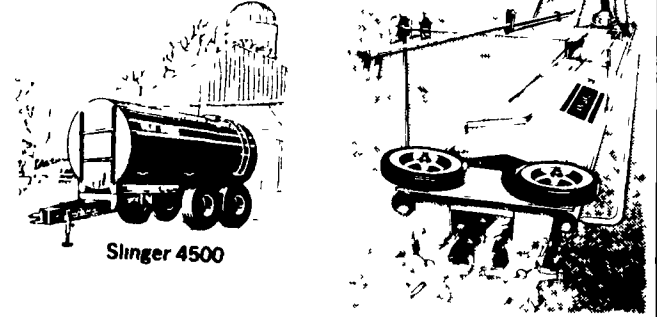
(717) 354-8721

VAN DALE

Total Mixed Rations
With The New
ORBIT-MIXER



Magnum Silo
Unloader



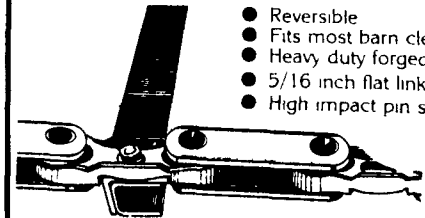
Slinger 4500

LANCASTER SILO CO.

2008 Horseshoe Rd.
Lancaster, Pa. 17601
717/299-3721

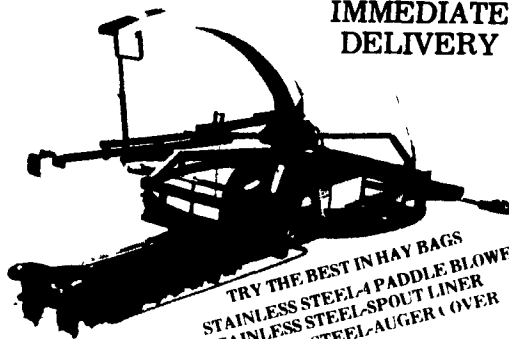
Barn Cleaner Chain

- Reversible
- Fits most barn cleaners
- Heavy duty forged links
- 5/16 inch flat links
- High impact pin swedging



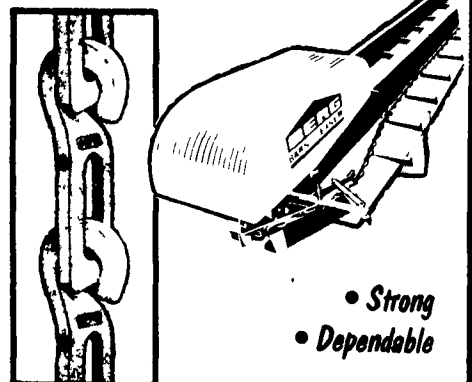
VAN DALE

"NEW" SUPREME #428 TURBO RING-DRIVE SS
IN STOCK - IMMEDIATE DELIVERY



TRY THE BEST IN HAY BAGS
STAINLESS STEEL-4 PADDLE BLOWER
STAINLESS STEEL-SPOUT LINER
STAINLESS STEEL-AUGER COVER

BERG BARN CLEANERS



- Strong
- Dependable

1 USED ST100 VAN DALE MIXER
W/SCALES

LANCASTER SILO CO.

2008 Horseshoe Rd., Lancaster, PA
717/299-3721



WATER THAT WON'T QUIT

Ritchie