

**1 FARM EQUIPMENT**

**RISSLER FORAGE MIXERS**

- 5 Sizes Up To 230 Cu. Ft. Capacity
- Fast 2-3 Minute Mix Time
  - Low Power Requirements
  - Beam Or Dial Scales

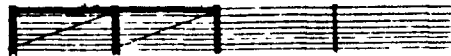
*Buy Direct & Save*

We're In Business For The Farmer

**I.H. RISSLER MFG. CO**

Box 64, RD 3, Denver Rd  
Denver, PA 17517  
(215) 287-2453

**PROOF!**



Try one of Kencove's High Power New Zealand Fence Chargers.

If in 30 days, you have not saved substantial time and aggravation from reduced fence & animal problems, return for full refund.

**KENCOVE HIGH TENSILE FENCE**

R.D. #1, Box 111  
Blairsville, PA 15717  
412-459-8991  
PA 800-442-6823  
Other States 800-245-6902

**USED TRACTORS**

- |                                      |   |
|--------------------------------------|---|
| JD 4630 cab & air                    | IH 574, like new                                  |
| JD 4630 w/4 post roll guard          | IH 806  |
| JD 4430, cab, air, quad range        | IH 766 w/cab                                      |
| JD 2020 w/loader                     | IH 656 utility w/loader                           |
| JD 2510                              | IH 666 gas  |
| JD 2640 w/loader, like new           | IH 364 w/power steering                           |
| JD 2940, excellent cond.             | IH 84 hydro, 500 hrs.                             |
| 1977 JD 4430 w/cab & air power shift | Farmall Cub w/new Woods mower                     |
| JD 4320, cab & air                   | Ford 3400 w/Loader                                |
| JD 2510 Gas                          | Ford 1700, 200 hrs.                               |
| JD 820 Diesel                        | AC 210 diesel                                     |
| JD 4010                              | AC 170  |
| JD 4020 w/cab                        | MF 205, 4WD                                       |
| JD 4020 side console                 | David Brown 1200                                  |
| JD 3020 Diesel                       | Satoh 4WD w/loader, used 200 hrs.                 |
| IH 1086 cab & air                    | Kubota L305F diesel w/front wheel drive, like new |
| Int. 986 cab & air                   |   |
| IH 966                               |   |

**USED PLOWS**

- |                                    |   |
|------------------------------------|---|
| Int. 5 btm. 18" spring reset plow  | Int. 6 btm. Toggel trip high clearance plow |
| White 5 btm. 18" spring reset plow | Large selection of 3 to 7 btm. plows        |

**GRINDERS & MIXERS**

- |          |                  |
|----------|------------------|
| Gehl 120 | IH 1150 \$1,450. |
| Gehl 95  |                  |

**USED COMBINES**

- |                      |  |
|----------------------|--|
| 444 JD corn heads    | Large selection of JD 2, 3, 4 & 6 row corn heads |
| 443 & 643 corn heads | JD 4400 gas, rotary screen                       |
| JD 3300 combine      |  |
| 1975 JD 4400 diesel  |  |

**USED PLANTERS**

- |                              |                                    |
|------------------------------|------------------------------------|
| JD 7000 4 row Dry fertilizer | JD 7000 6 row conservation, liquid |
| JD 7000 6 row no till        |                                    |

Used Moore no-till grain drill

**USED HARVESTERS**

- |                        |               |
|------------------------|---------------|
| Fox 2 row snapper head | Fox Custom 90 |
|------------------------|---------------|

Gehl flail head, excellent condition

**HAY EQUIPMENT**

- |                              |  |
|------------------------------|--|
| NH 472 haybine               | M-C 7' rotary sythe, used on 100 acres |
| NH 489 haybine               | Large selection of used rakes          |
| Gehl 1090 haybine            | NH 275 baler w/kicker                  |
| NH 310 w/thrower             | NH 1010 Stacker Bale Wagon             |
| Gehl 1500 Round baler        | NH 1033 Stacker Bale Wagon             |
| Large selection of hay rakes |  |

New Farmhand grinder blower

**MISCELLANEOUS**

- |  |  |
|--|--|
| Int. 510 grain drill   | Badger 16' Forage Wagon, 3 Beaters w/roof, tandem running gear |
| JD 30 ft. Implement Trailer  | New Farmhand loaders for IH and JD tractors                    |
| Large selection of smaller discs                                   | NI 323 1 row picker  |
| Danco hydraulic rear unloading silage wagon on tandem running gear | NI 2 row wide, 12 roll, \$3,000.                               |
| 1974 GMC w/new 16' grain body & hoist w/air brakes                 | Kewanee hydraulic fold 18' disc                                |
|  | Big V snow plow 12' wide                                       |

**D & R EQUIPMENT INC.**

Ringoes, New Jersey (201) 782-5082

**DEPENDABLE MOTOR CO.**

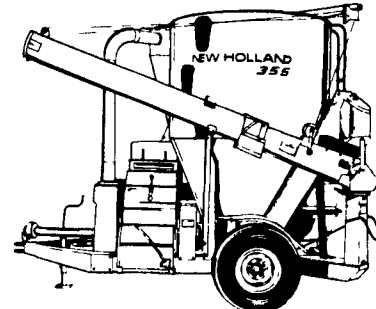
East Main St., Honey Brook, Pa. 215-273-3131-273-3737

**NEW EQUIPMENT SPECIALS**

- |  |            |              |
|--|------------|--------------|
| NH #320 w/#70 Thrower                  | } ONE ONLY | \$12,800     |
| NH #316 SS                             |            | \$8,600      |
| NH #256 Steel                          |            | \$2,345      |
| NH #456 Mower                          |            | \$2,470      |
| NH #718 Harvester (Demo)               |            | \$2,915      |
| NH #28 Blower                          |            | \$1,925      |
| NH #770W Pickup Head                   |            | Cash \$4,800 |
| NH #8 Forage Box, 3 Btr. and Roof      |            | \$7,430      |
| NH #355 Grinder Mixer, Hydraulic Drive |            |              |

Plus Big Cash Savings On All Equipment

NH 355 Grinder Mixer w/Hyd. Drive, 10 Ft. Auger, Flotation Tires



**SPECIAL DEAL**

\$7,430  
Cash Disc.  
\$325  
\$7,105

**PLUS MORE EQUIPMENT IN STOCK - CALL TODAY**

- Waiver of Finance On All New & Used Hay Equipment Till July 1, 1986
- Waiver of Finance On All New & Used Forage Equipment Till September 1, 1986
- OR
- Cash Rebates Up To \$7400
- OR
- 0% Financing - 12 Mos.
- 0% Financing - 18 Mos.
- 0% Financing - 24 Mos.
- 8.9% Financing - 36 Mos.
- 10.9% Financing - 48 Mos.

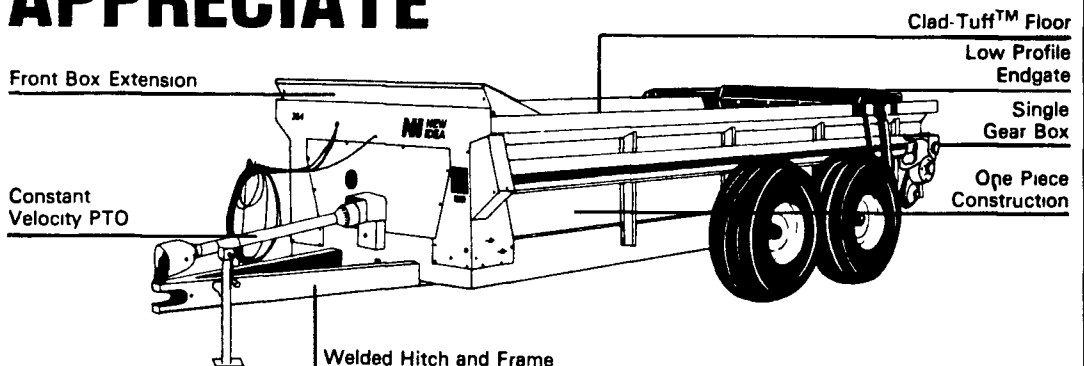
**DEPENDABLE IS MORE THAN OUR NAME**

**NEW IDEA**

**360 SERIES SPREADERS**

**AT A PRICE THAT'S AFFORDABLE!**

**FEATURES YOU'LL APPRECIATE**



- |   |         |
|---|---------|
| Model 362 5 Ton Single Axle, Hyd. Endgate, Upper Beater                   | \$5,340 |
| Model 363 8 Ton Tandem Axle, Hyd. Endgate, Upper Beater, Regrooved Tires  | \$7,300 |
| Model 365 11 Ton Tandem Axle, Hyd. Endgate, Upper Beater, Regrooved Tires | \$8,425 |

**Also In Stock**

- |                       |                           |
|-----------------------|---------------------------|
| NI 484 Big Roll Baler | NI 509 Mower-Conditioner  |
| NI 405 Rake           | NI 522 3 Pt. Sickle Mower |
| NI 400 Rake           |                           |

**BIGGS INCORPORATED**

34 Buckley Ave., Rising Sun, MD  
301/658-5531