

Exhibitors gearing up for NE Egg Trade Show

RHEEMS - Pre-registration of poultry producers and industry people planning to attend the Northeast Trade Show is getting top priority during the next six weeks.

So reports Al Wenger, chairman of the Nov. 17-18 event to be held at Resorts International, Atlantic City, N.J.

Three organizations—the Pennsylvania Poultry Federation, N.Y. Spice and the N.J. State Poultry Association—are leading the way in urging their members to sign up and take advantage of a 30 per cent discount on registrations being offered to members of state groups by Northeast-UEP, show sponsor.

Wenger says: "Exhibitor response to the trade show has been tops." He reports booth space is at a sell-out level.

"Producers have asked for a regional trade show that can be reached at a reasonable driving distance. Allied industry has

responded in first rate fashion. It's the producer's turn now. Our first step to guarantee good attendance is early registration. It will put us on the road to making this show an annual event," he added.

The show is divided into two four-hour periods on Sunday and Monday. Only one business meeting is scheduled—that will be an early Eggpac breakfast on Monday when visitors will hear reports of ongoing efforts by United Egg Producers to make producer needs known to Washington legislators.

Dr. David Kritchevsky of the University of Pennsylvania School of Medicine will speak at the breakfast and tell producers how they can best address the cholesterol issue and have consumers fully recognize the positive nutritional values of eggs.

Advance tickets are available for the breakfast at a donation of

\$25 per person. Requests for tickets should be sent to Northeast United Egg Producers, P.O. Box MM, Durham, N.H. 03824. Only personal checks, not company checks, can be accepted for the breakfast.

Morocco chosen as trade target

WASHINGTON - Secretary of Agriculture John R. Block has announced that a U.S. wheat offer to Morocco will be the sixth initiative under the U.S. Department of Agriculture's \$2-billion export enhancement program.

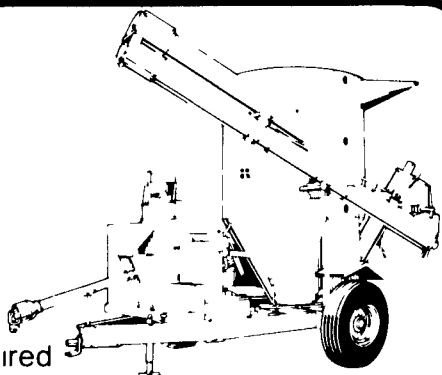
Block said this initiative will give U.S. exporters the opportunity to sell up to 1.5 million tons of wheat, including a Commodity Credit Corporation (CCC) bonus of wheat from CCC stocks. This bonus

will enable exporters to respond to future wheat tenders at commercial prices in the Moroccan market.

In addition, a credit guarantee line has been authorized to Morocco under the Export Credit Guarantee Program (GSM-102) to help finance up to \$150 million in wheat exports. Additional operational details for this credit line will be released by USDA's Foreign Agricultural Service.

SAVE

Roskamp Roller Mixer



- * Less power required
- * Convenient
- * More meat or milk from every pound fed
- * Rolled feed is more digestible
- * Cut your costs
- * Increase your profits

CONVERT Your Grinder/Mixer To A Roller Mixer And SAVE -

ROSKAMP MFG., INC.
2975 Airline Circle Waterloo, Iowa 50703
(319) 232-8444



For more information contact your local dealer:

PENNSYLVANIA	
Automatic Farm Systems, Lebanon, PA	717-274-5333
Barrett Equipment Co., Smicksburg, PA	814-258-8881
Fred Crivellaro, Easton, PA	215-258-7584
Dependable Motor Co., Honeybrook, PA	215-273-3131
Erb and Henry, New Berlinville, PA	215-367-2169
Fickes Silo Co., Newville, PA	717-776-3129
Joseph M. Fisher & Sons, York, PA	717-764-0494
S.G. Lewis and Son, Inc., West Grove, PA	215-869-9440
R.T. Markle Farm Equip., Inc., State College, PA	814-237-3141
Marshall Machinery, Inc., Honesdale, PA	717-729-7177
MKS Enterprises, Inc., Hanover, PA	717-637-2214
B.K. Mobile Milling Co., Inc., Paradise, PA	717-687-7574
Atlee Rebert, Littlestown, PA	717-359-5863
Rovendale Supply, Watsonstown, PA	717-538-5521
Sollenberger Silos Corp., Chambersburg, PA	717-264-9588
Stouffer Bros., Inc., Chambersburg, PA	717-263-8424
Lloyd Sultzbaugh, Camp Hill, PA	717-737-4554
Swope and Bashore, Inc., Myerstown, PA	717-933-4138
Tam Agri Corp., Dillsburg, PA	717-432-9738
Uniontown Farm Equipment, Uniontown, PA	412-437-9851

MARYLAND	
Arnett's Garage, Hagerstown, MD	301-733-0515
P & S Equipment, Inc., Street, MD	301-452-8521

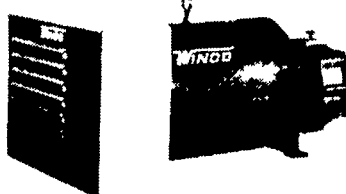
DISTRICT MANAGERS

George Heath
717-737-0002
Chester Ingram
814-383-2798

TOLL FREE: 1-800-437-5200
Ask for Operator 104

IN MD: 1-800-638-8890
Ask For Operator 104

Restart your whole farm with the number one PTO the world over!



Don't wait for a power failure Invest in peace of mind

P.V.C. White Rail Fence 2, 3 or 4 Rail



- Maintenance Free
- Never Needs Paint
- Won't Crack, Chip or Rot
- 20 Year Warranty

Lester C. Shirk
R.D. 3, Box 414
Myerstown, PA 17067
(717) 933-4977

Winco PTO Generators for Home and Farm PVC Fencing and Porch Furniture

Lapp ENERGY FREE DRINKERS

No Gas/No Electric



40 Gallon

Drinkers have a new unique baffled drinking design manufactured from a durable poly product. A 2-hole 40 gallon and a 1-hole 4 gallon for all kinds of livestock, including horses, sheep, pigs, etc.

Manufactured By

SOUDERSBURG MFG.

116 N. Soudersburg Rd., Gordonville, PA 17529

Authorized Dealers

LANCASTER CO.	REISTSVILLE AREA
SHOW-EASE	LAPPS
STALL CO.	SHARPENING
573 Willow Rd.	SERVICE
Lancaster, PA 17601	RD 2
(717) 299-2536	Myerstown, PA 17067

MARYLAND

FARM SPECIALTIES
2433 Paradise Church Rd.
Hagerstown, MD 21740
(301) 733-0458

Dealer Inquiries Invited

SBMD INFRARED HEATING, INC.

INFRA-RED GAS BROODERS

For Hogs, Poultry & Turkeys

5 Models To Choose From For Your Particular Operation!

* AUTOMATIC CONTROL SYSTEM AVAILABLE

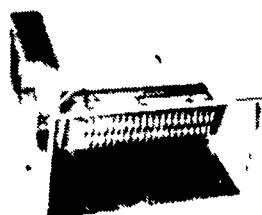
Choose downgoing heat... Choose SBM brooders.



SUNNY PIG 1
1,000 to 2,200 BTU



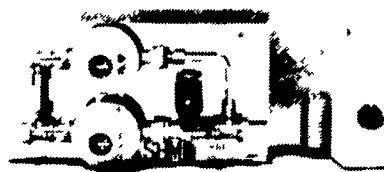
SUNNY PIG 2
2,200 to 4,400 BTU



SUNNY PIG 3
2,500 to 5,000 BTU

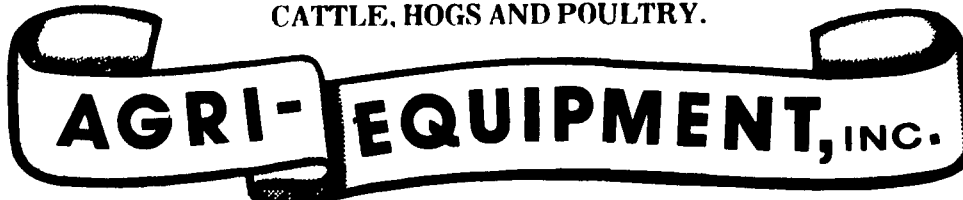


GROUP CONTROL



RGG + ST1
SEMI-AUTOMATIC CONTROL
w/Thermostat

COMPLETE SYSTEMS, EQUIPMENT, SALES, INSTALLATION, SERVICE FOR CATTLE, HOGS AND POULTRY.



RD 4, East Farmersville Rd., Ephrata, PA 17522

(Lancaster County)
(717) 354-6520

HOURS

Mon.-Fri. 7:30 to 4:30;
Sat. 7:30 to 11:30
(Parts Only)