



**Exclusive—  
12-knife cutterhead**

High quality feed is important to you. So you'll like the fine uniform chop you get from the Model 718 forage harvester. It's the only medium duty chopper available with a 12 knife cutterhead to give you a controlled, even cut.

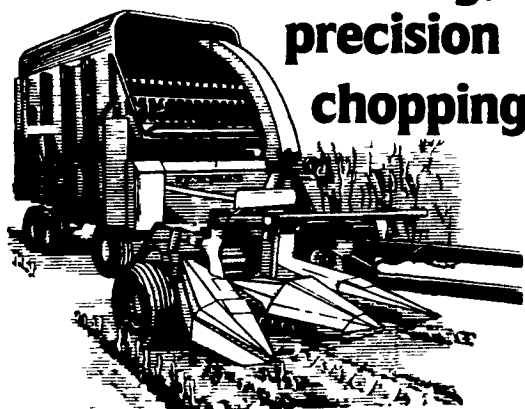
One Only

**MODEL 718 FORAGE HARVESTER**  
1000 RPM PTO, 12 Knives, Electric Controls,  
Model 824 2 Row Corn Head & More

**SALE PRICE** ..... \$10,975  
\* **OCT. CASH DIVIDEND** ..... - 900  
**\$10,075**

Deduct \$500 For Manual Controls Instead  
Of Electric Controls

**Uniform feeding,  
precision  
chopping**

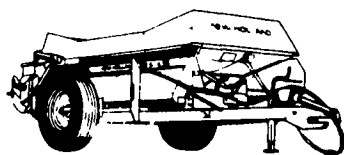


**MODEL 782 FORAGE HARVESTER**  
w/12 Knives, 1000 RPM Electric Controls,  
Metalert II Adjustable Spout, Auto Hitch, Spout  
Liner, Model 824 Corn Head and More.

**SALE PRICE** ..... \$16,500  
\* **OCT. CASH DIVIDEND** ..... - 900  
**\$15,600**

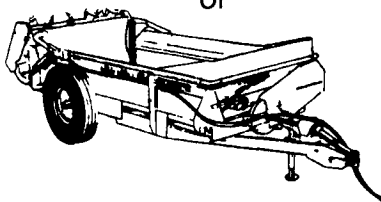
**FREE** Sperry New Holland  
spreader  
attachments!

You get:



**Free** slurry, sides and  
**Free** hydraulic endgate

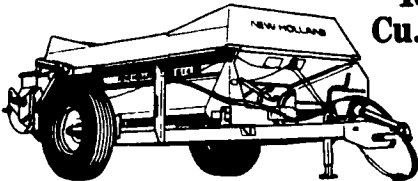
or



**Free** upper beater and  
**Free** hydraulic endgate

when you buy a Model 514 520 or 680 spreader  
Stop in and ask us about this great deal

**NH MODEL 514 SPREADER**  
163  
Cu. Ft.

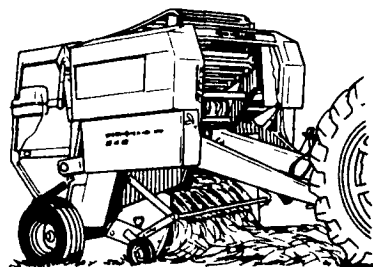


- With:
- Fine Manure Pan
  - Hydraulic Endgate (FREE)
  - Slurry Sides (FREE)
  - Double Slatted T-Bar Apron Chain

List Price ..... \$7,050

**FREE SPREE**  
**SPECIAL PRICE** ..... \$4,425  
**OCT. CASH DIVIDEND** ... - 325  
**\$4,100**

**NEW MODEL IN STOCK  
848 ROUND BALER**



The Model 848 round baler from Sperry New Holland is a new, high-capacity baler featuring a roll-floor design for a sure, fast core and increased bale density. The "848" makes four-foot wide and up to four-and-a-half feet in diameter with a bale weight of 850 lb. Choose one of three tying mechanisms: manual crank, hydraulic, or Memory-Wrap™. Stop in and see the new "848" today.

**SPECIAL FACTORY  
INCENTIVE  
ON THIS  
UNIT**

**PLUS**

**WAIVER  
UNTIL  
JULY 1, 1986**

**SEPT. CASH  
DIVIDEND  
OF \$800**

**CALL FOR PRICE**

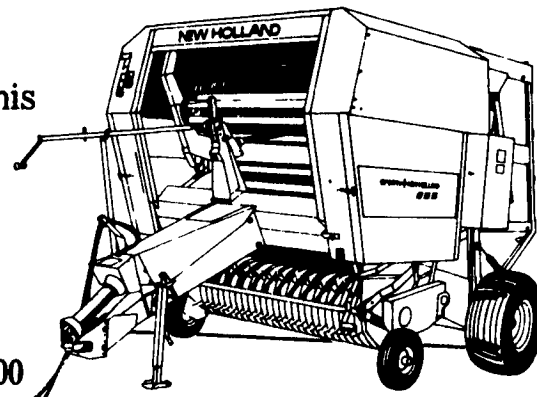
**CORN  
FODDER SPECIAL  
SALE PRICE**

**MODEL 855  
ROUND BALER**

Auto. Wrap  
540 RPM  
Loaded

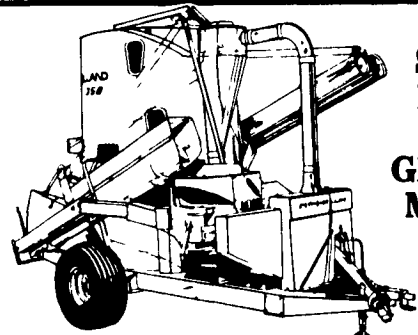
ONE ONLY

Demonstrate this  
Round Baler  
and get the  
Best Deal  
on this  
Special Priced  
Round Baler



List Price \$17,300

**SALE PRICE** ..... \$12,750  
\* **OCT. CASH DIVIDEND** ..... - 800  
**\$11,950**



**SUPER  
DEALS  
ON  
GRINDER  
MIXERS**

**BUY A NEW GRINDER MIXER FROM  
US NOW AND GET AN ELECTRONIC  
SCALE ATTACHMENT**  
Retail Value \$2,240

For **\$1,095** Installed

**Hurry!** Limited Stock Available  
For This Program

**ALSO**

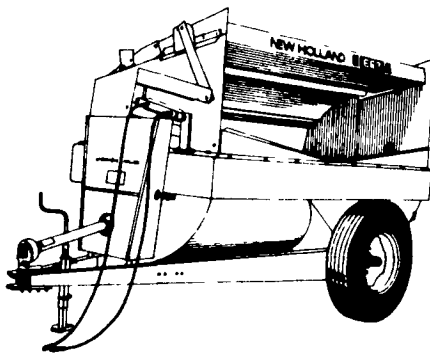
Take Advantage Of Either:

- 1) Low Interest Financing OR
- 2) September Cash Dividends

**MODELS**

353-355 ..... \$475.00  
358-359 ..... \$800.00

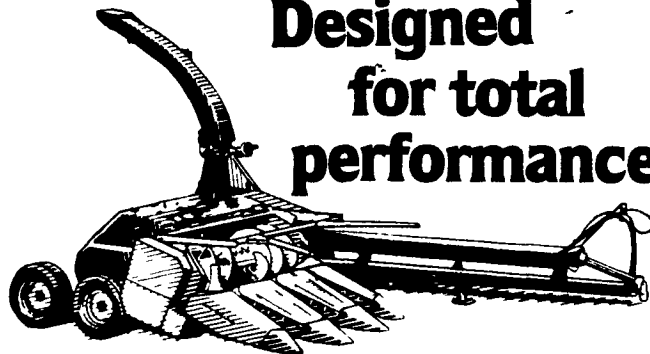
**JD MODEL 667  
FLAIL TANK SPREADER**  
847 Gal., 194 Cu. Ft.



- With:
- R.H. Discharge
  - Standard Front & Rear Fold-Down Panels
  - Splash Shields

List Price ..... \$7,025  
**SALE PRICE** ..... \$5,950  
**OCT. CASH DIVIDEND** ... - 350  
**\$5,600**

**Designed  
for total  
performance**



**MODEL 900 FORAGE HARVESTER**  
Loaded With Options And Extras With 3-Row Auger  
Base and 3-Row Narrow Crop Attachment.

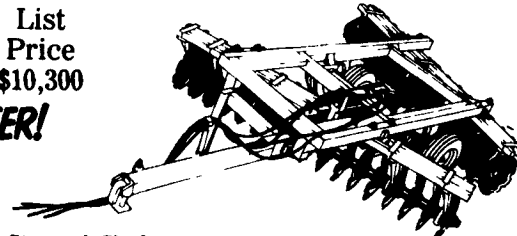
**SALE PRICE** ..... \$24,125  
\* **OCT. CASH DIVIDEND** ..... - 1,500  
**\$22,625**

**CLOSEOUT SPECIAL**

**\$6500** List Price \$10,300

**MAKE US AN OFFER!**

- 9 ft. 0 in Cutting Width
- 24 Blades, 24" Plain
- Blade Spacing 9" Front
- 10 1/2" Rear on 1 3/4" High Strength Shaft
- Approx. Operating Weight 5081 lbs., 210 lbs. per Blade
- Dual Wheels
- Hydraulic Leveling



**Heavy Duty  
OD100 OFFSET  
DISK**

• **MODEL 230  
RUNNING GEAR**  
6 Ton w/Adj.  
Tongue & 95Lx15  
Tires

**SALE  
PRICE**

~~\$1,120~~

**LOWER SALE PRICES**

**SALE PRICE**  
Until  
Oct. 31, 1985  
**\$945**



• **MODEL 234  
RUNNING GEAR**  
8 Ton w/Adj. Tongue & 11Lx15 Tires

~~SALE PRICE \$1,325~~  
**SALE PRICE**  
Until Oct. 31, 1985 **\$1,075**

- In Lieu Of Cash Dividend Listed Above  
Take Advantage Of Either:
- **WAIVER OF FINANCE**  
Till July 1, 1986 on Hay Equipment  
Till Sept. 1, 1986 on Forage Equipment  
Till April 1, 1986 on Spreaders

OR

- **LOW A.P.R. FINANCING RATES**

**NEW** 0% - 24 Months (Good Until Dec. 31, 1985)  
0% - 24 Months (Good Jan. 1, 1986 through  
Jan. 31, 1986)

**SPERRY  
NEW HOLLAND**

**ABC GROFF, INC.**

Since 1890

110 Railroad Ave

New Holland, PA 17557

Parts 717-354-4191  
Sales 717-354-4731  
Service 717-354-8004

**PRICE**



**STORE HOURS**  
Mon, Tues, Wed 7-5  
Thurs, Fri 7-9  
Sat 7-4

Open Thursday and  
Friday Until 9 P.M.

Our Trucks Are Radio Dispatched