



# CHOOSE YOUR FORAGE HARVESTER FROM THE LEADER SPERRY NEW HOLLAND

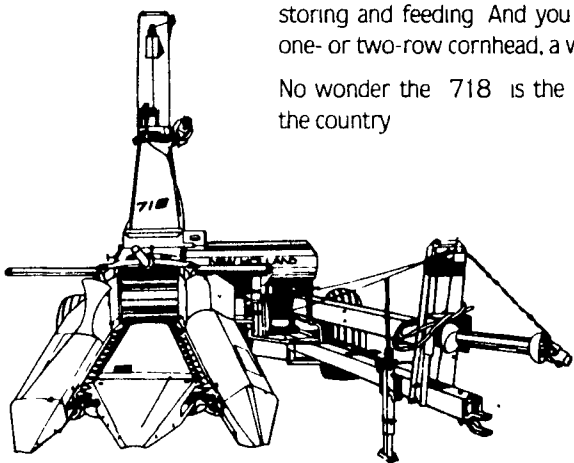
THAT'S RIGHT, WHEN IT COMES TO FORAGE HARVESTERS NO ONE OUT SELLS SPERRY NEW HOLLAND. OUR EXCLUSIVE FEATURES AND EFFICIENT RUNNING MACHINES BACKED UP BY EXCELLENT DEALER SERVICE IS THE REASON! YOU'LL WANT TO CHOOSE FROM THIS LINE UP...

## MODEL 718

### Exclusive— 12-knife cutterhead

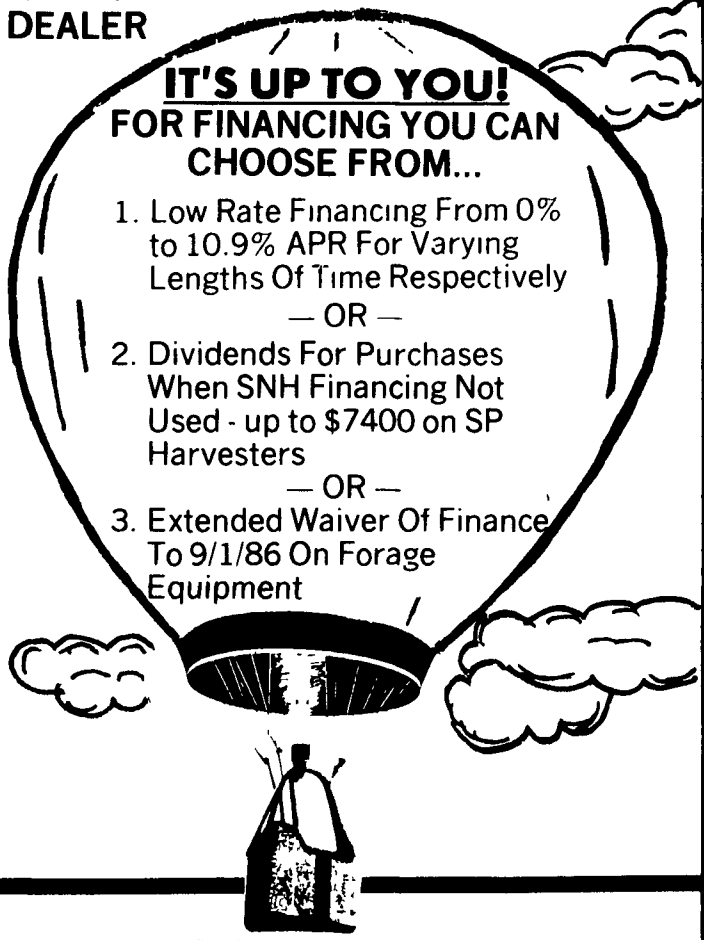
High-quality feed is important to you. So you'll like the fine, uniform chop you get from the Model 718 forage harvester. It's the only medium-duty chopper available with a 12-knife cutterhead to give you a controlled, even cut. The uniform length-of-cut makes for easier unloading, blowing, storing and feeding. And you can choose from four crop-saving heads—a one- or two-row cornhead, a windrow pickup or a sicklebar.

No wonder the 718 is the best-selling medium-duty forage harvester in the country.



**DON'T BE FOOLED BY  
IMITATIONS -**

**NO OTHER FORAGE HARVESTER IS  
EQUIPPED WITH SPERRY NEW HOLLAND'S  
EXCLUSIVE METALERT II  
METAL DETECTION  
SYSTEM**



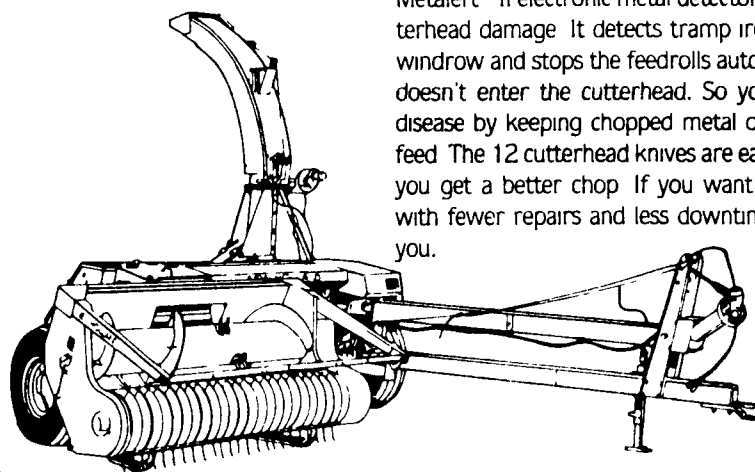
**IT'S UP TO YOU!  
FOR FINANCING YOU CAN  
CHOOSE FROM...**

1. Low Rate Financing From 0% to 10.9% APR For Varying Lengths Of Time Respectively  
— OR —
2. Dividends For Purchases When SNH Financing Not Used - up to \$7400 on SP Harvesters  
— OR —
3. Extended Waiver Of Finance To 9/1/86 On Forage Equipment

## MODEL 782

### METALERT® II protects cutterheads and cows

When it's time to chop, you want a machine that keeps on going. With the Model 782, the optional Metalert® II electronic metal detector prevents costly cutterhead damage. It detects tramp iron in both swath or windrow and stops the feedrolls automatically. The metal doesn't enter the cutterhead. So you reduce hardware disease by keeping chopped metal out of your livestock feed. The 12 cutterhead knives stay sharp. So you get a better chop. If you want high quality forage with fewer repairs and less downtime, the "782" is for you.



## MODEL 900

### Designed for total performance

Step up to better performance with the Model 900 forage harvester from Sperry New Holland. The 12 knives of the 21-inch diameter cutterhead deliver uniformly-cut, high-quality forage. Here are just some of the features available that make the "900" a harvester designed for total performance.

- Metalert® II electronic metal detector—protects cutterhead and your valuable animals
- Electromagnetic clutches—gives instant response in controlling feedroll and attachment drives
- Easy-adjust shearbar—makes adjustment fast and precise
- Two-speed blower—is energy efficient.
- Hydraulic swing tongue—makes mounting attachments fast and easy

