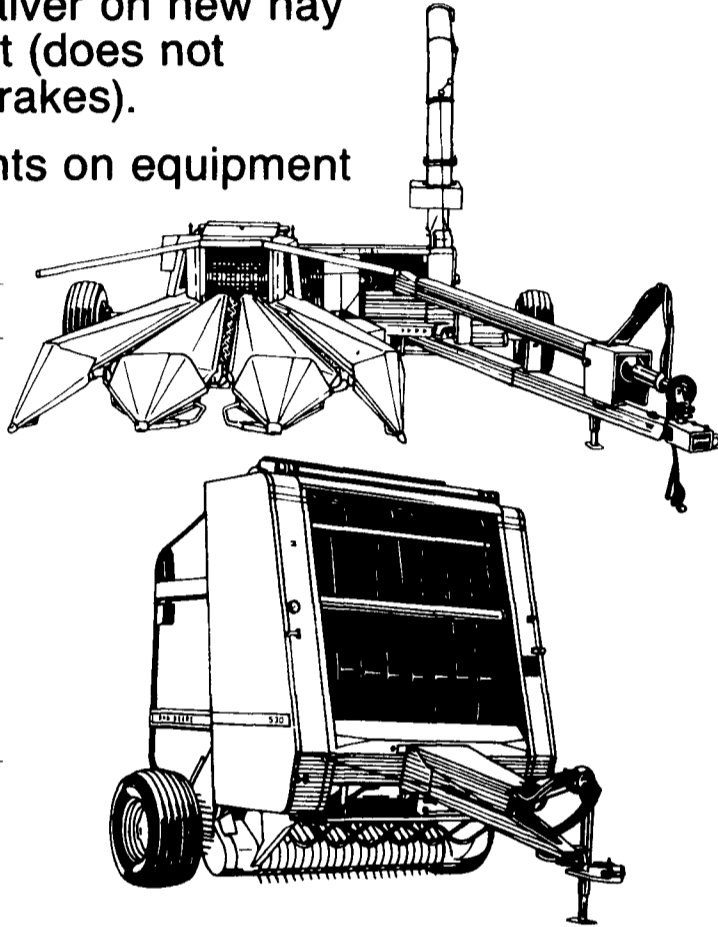


# Interest-Free Until October 1

**Extended waiver lets you save even more  
on John Deere Hay and Forage Tools**

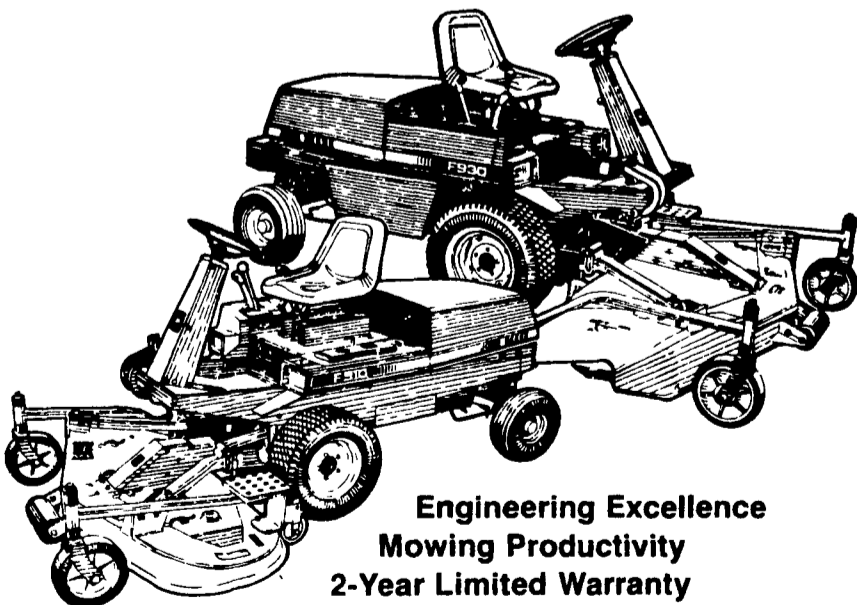
- Now's the time to save big on new and used hay and forage equipment.
- Interest-free financing\* until October 1, 1985, on hay and forage equipment (new and used).
- Discount in lieu of waiver on new hay and forage equipment (does not include mowers and rakes).
- Big customer discounts on equipment shown below.

EQUIPMENT	CUSTOMER DISCOUNT
Round Balers	\$ 400
Square Balers	400
PTO Forage Harvester	
Model 3940	850
Model 3960	850
Model 3950	500
Model 3970	500
Model 4720	500
Mower Conditioners (except 1424)	450
Model 1424	1000
Self-Propelled Windrowers	
Model 2320 (grain only)	2500
Model 2420 (grain only)	2500
Model 2320 (auger platform)	2500
Model 2420 (auger platform)	2500
Model 2280 (auger platform)	3000
Model 3430	650
Model 3830	650



\*Availability of John Deere financing subject to approval of credit. These offers may be withdrawn at any time.

## JOHN DEERE FRONT MOWERS



**Engineering Excellence  
Mowing Productivity  
2-Year Limited Warranty**

When mowing productivity really counts, count on a John Deere Front Mower. The F910 and F930 Front Mowers were designed from the ground up to be productive, versatile and durable mowing machines. Both are powered by reliable, twin-cylinder, air-cooled Onan engines — 20 hp on the F910, 24 hp on the F930. The F910 can be equipped with a 50 or 60 inch mower, the F930 with a 60 or 72 inch mower. All three

mowers feature adjustable mowing height, PTO shaft drive and deep contour deck design. Both the F910 and F930 have hydrostatic drive and power steering for easy operation and close-quarters maneuverability. And both are backed by a new, 2 year limited warranty and our local parts and service support. See us soon for a test drive.



**Nothing Runs Like a Deere®**

**LEHIGH AG  
EQUIPMENT**  
Wescosville, PA  
215-398-2553

**EVERGREEN TRACTOR  
CO., INC.**  
Lebanon, PA  
717-272-4641

**H.R. GUTSHALL  
& SONS, INC.**  
Carlisle, PA  
717-249-2313

**OXFORD GREENLINE**  
Oxford, PA  
215-932-2753  
215-932-2754

**FOSTER EQUIPMENT  
SALES**  
Elmer, NJ  
609-769-1535

**PIKEVILLE EQUIPMENT  
INC.**  
Oyster Dale Road  
Oley RD2, PA  
215-987-6277

**BOMBERGER'S STORE,  
INC.**  
Elm, PA  
717-665-2407  
(CP Dealer Only)

**I.G. SALES**  
Silverdale, PA  
215-257-5136

**A.B.C. GROFF, INC.**  
New Holland, PA  
717-354-4191

**ROBERT E. LITTLE INC.**  
Zieglerville, PA  
215-287-9643

**COVERT & SONS, INC.**  
Neshanic Station, NJ  
201-369-5241

**SOLLENBERGER  
EQUIPMENT**  
Everett, PA  
814-652-5223

**MAKAREVICH  
BROS., INC.**  
Hackettstown, NJ  
201-852-4488

**WALTER'S  
SALES &  
SERVICE, INC.**  
Mifflinburg, PA  
717-966-3778

**ADAMSTOWN  
EQUIPMENT INC.**  
Mohnton R.D. 2, PA  
(near Adamstown)  
215-484-4391

**WOODHULL EQUIPMENT  
INC.**  
Medford, NJ  
609-654-2011

**TOBIAS EQUIPMENT  
CO., INC.**  
Halifax, PA  
717-362-3132

**LOST CREEK IMPLEMENT**  
Oakland Mills, PA 17076  
717-463-2161

**M.S. YEARSLEY & SONS**  
West Chester, PA  
215-696-2990

**GEORGE V. SEIPLE & SON**  
Easton, PA  
215-258-7146

**KERMIT K. KISTLER INC.**  
Lynnport, PA  
215-298-2011

**SMITH'S  
IMPLEMENTS, INC.**  
Mercersburg, PA  
717-328-2244

**EVERGREEN ENGINES CO.**  
32 Evergreen Road  
Lebanon, PA 17042  
717-273-2662

**ELDER SALES  
& SERVICE, INC.**  
Stoneboro, PA  
412-376-3390  
412-376-3740

**CLUGSTON  
IMPLEMENT, INC.**  
Chambersburg, PA  
717-263-4103

**ROBERT G. HAMPTON,  
INC.**  
Shiloh, NJ  
609-451-9520

**BARRETT EQUIPMENT**  
Smicksburg, PA  
814-257-8881

**LANDIS BROS. INC.**  
Lancaster, PA  
717-291-1046

**The Long Green Line™**



**Nothing runs  
like a Deere™**