

**Lancaster County Weekly**

(Continued from Page A2)

Cutter & Boning Utility 1-3 36.50-40.00, few early 40.50-42.00, Canner & low Cutter 34.00-37.50, few 32.50-34.00.

**BULLOCKS:** Choice 1-3 1000-1350 lbs. 48.00-53.00, couple 56.75-58.00; Good 1-2 950-1250 lbs. 45.50-48.50.

**BULLS:** Yield Grade 1 1300-1900 lbs. 47.50-49.75, few 51.00-51.75; Yield Grade 2 950-1350 lbs. 43.25-48.00.

**VEAL CALVES:** Choice and Prime closed 4.00-6.00 higher, high Good and low Choice steady, sl. calves 5.00 lower. Demand fair for hol. bulls to return to farm.

**VEALERS:** High Choice & Prime 280-390 lbs. 100.00-114.00, few 114.00-118.00; Choice 170-350 lbs. 85.00-100.00, few 100.00-104.00, 140-170 lbs. 80.00-90.00; high Good & low Choice 160-350 lbs. 68.00-88.00, 120-160 lbs. 60.00-70.00, 80-115 lbs. 48.00-55.00, few 105-115 lbs. 55.00-60.00, 65-80 lbs. 41.00-50.00.

**SL. CALVES:** Good and Choice 250-350 lbs. 55.00-65.00, few 70.00, 350-500 lbs. 50.00-60.00.

**RETURNED TO FARM:** Bulk 90-120 lb. hol. bulls 75.00-89.00, several mainly small frame 90-120 lbs. 54.50-75.00, few 100-125 lb. hol. heifers 55.00-58.00.

**Indiana Livestock**

Homer City, Pa.

Thursday, April 25

Report supplied by PDA

Compared with last week's market, cows steady to strong, sl. steers fully 1.00 lower. Sl. steers: Choice 56.00-59.25, Good 53.25-56.50, Standard 45.00-51.00. Sl. heifers: Choice 55.00-58.00, Good 52.00-54.50. Sl. cows: Breaking Utility & Commercial 39.00-42.75, Cutter & Boning Utility 36.00-39.50, Canner & low Cutter 29.00-36.50. Sl. bulls: few Yield Grade 1 1400-2000 lbs. 48.00-50.00, few No. 2 1000-1400 lbs. 44.00-46.00.

**FEEDER CATTLE: Medium** Frame No. 1 400-700 lbs. Steers 51.00-62.00, Medium Frame 1 300-600 lbs. heifers 48.00-59.00.

**CALVES:** 138. Vealers about steady. Few Choice vealers 80-90 lbs., few Good 63.00-70.00, 90-120 lbs. 54.00-60.00, 60-85 lbs. 42.00-55.00.

**FARM CALVES:** Hol. bulls 90-125 lbs. 60.00-81.00.

**HOGS:** 279. Barrows & Gilts 1.00 lower, US 1-2 210-250 lbs. 41.00-41.75, 1-3 215-255 lbs. 40.00-41.25, few US 1-3 350-550 lb. sows 38.00-40.00.

**FEEDER PIGS:** 20. US 1-3 20-30 lbs. 19.00-26.00 per head, lot 45 lbs. at 40.00 per head.

**SHEEP:** 43. Lot High Choice & Prime 57 lbs. spring sl. lambs at 81.00; Choice 75-80 lbs. 75.00-79.00.

**GOATS:** 7. 11.50-38.00 per head.

**Delaware crop pest hotline**

NEWARK, DE — The University of Delaware Cooperative Extension Service is again using its crop pest hotline to report in-season crop pest activity, as part of its integrated pest management and entomology programs.

According to extension pest management specialist Joanne Whalen, the hotline provides farmers with information on field scouting methods, first occurrence of pests, peak pest activity, economic thresholds of infestation, and treatment guidelines for insects, weeds and diseases in corn, soybeans and other crops.

The reports are based on information collected by pest management scouts, U.S. Department of Agriculture APHIS survey personnel, extension specialists and agents, and private consultants. The hotline will be updated weekly during April and May, with new reports on the system by 10 a.m. Wednesdays. During June, July and August messages will be updated by noon on Tuesdays and Fridays.

Delaware residents can reach the hotline by dialing 1-800-345-

7544. Out-of-state residents should call 1-302-451-8851.

**Honey loan rates**

WASHINGTON — The Agricultural Stabilization and Conservation Service will offer honey producers an average loan and purchase rate of 65.3 cents per pound on their 1985 production, 0.5 cent per pound less than in 1984.


Officials of the agency said rates for extracted honey will range between 68.5 and 53.5 cents per pound, depending on color and class. The loan level represent 60 percent of the April 1985 adjusted parity price of \$1.087 cents per pound.

Farmers may obtain loans on

1985-crop honey stored in eligible containers, on or off farms. They have until January 31, 1986 to request loans that will mature April 30, 1986.

Loan and purchase rates for extracted table honey in 60-pound or larger containers are: 68.5 cents per pound for white or lighter, 64.5 cents for extra light amber, 59.5 cents for light amber, and 53.5 cents per pound for other table and non-table honey.

Producers who wish honey price support should contact the ASCS office before January 31, 1986.



**NEED MORE ROOM? Read The Classified Real Estate Ads**

COME ON YOU GUYS MOVE OVER!

**You need rootworm protection and more**

Count on LORSBAN\* 15G insecticide for excellent rootworm protection, plus outstanding control of cutworms, wireworms and many other pests. LORSBAN 15G is non-phytotoxic... won't hurt germinating seed. And it won't leach out of the root zone during spring and summer rains. Stop in today for full details on LORSBAN 15G... the rootworm insecticide that controls cutworms, too.

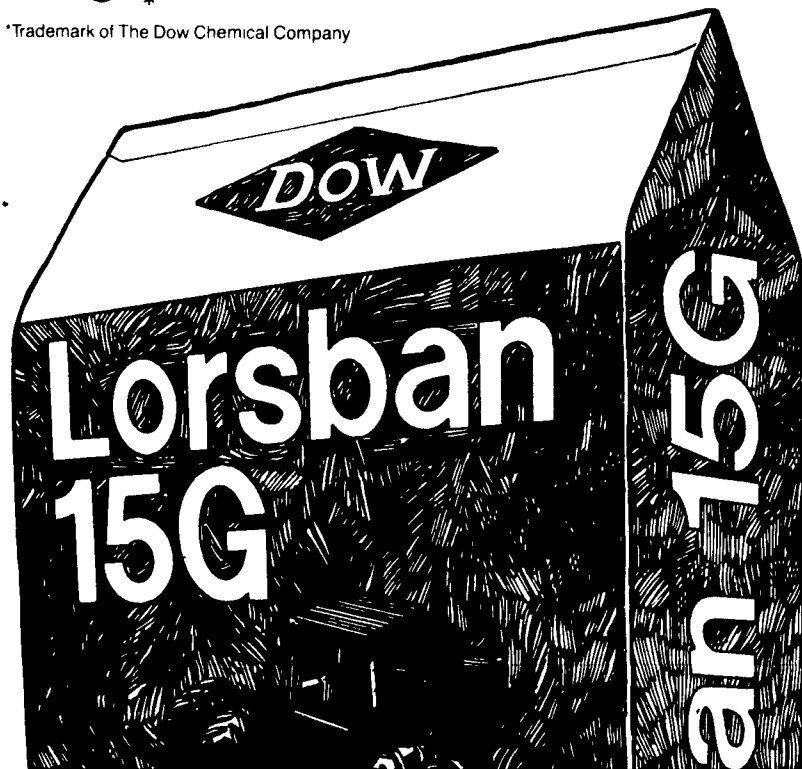
**LORSBAN\* 15G. It's convincing folks who aren't easily convinced.**

To get your free calibration scale and copy of the Scouting Guide for LORSBAN\* 15G Insecticide, call us at 1-800-258-CHEM

**STOP IN AT YOUR LOCAL LORSBAN DEALER FOR MORE INFORMATION**

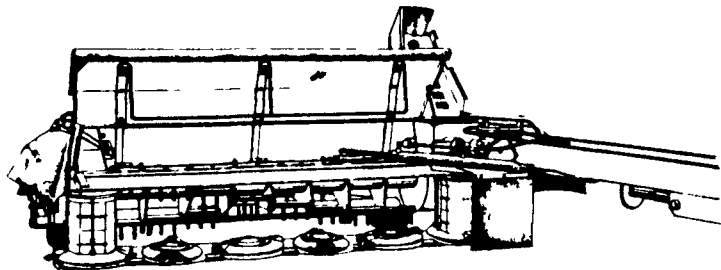


\*Trademark of The Dow Chemical Company

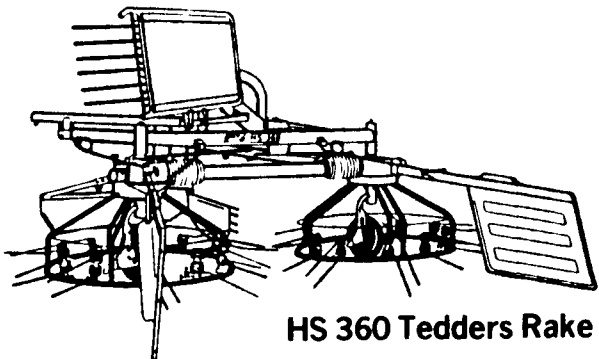


**The Best Of Both Worlds**

PZ Zweegers, inventors of both drum and disk mowers, combine the advantages of both systems in the Falazets. Reliable, modern mowers with a large capacity, Falazets have the ability to produce good results under even the most difficult conditions.



**Falazet 230, 275, 320 Mower Conditioners**  
7½, 9 and 10½ ft. Cutting Widths



**HS 360 Tedders Rake**

**PENNSYLVANIA PZ DEALERS**

Hepline Farm Equipment	Waynesburg, PA	412-852-1474
Keller Bros. Tractor Co.	Lebanon, PA	717-274-2693
Sandy Lake Ent.	Sandy Lake, PA	412-376-2489
Seiler Farm Equipment	Meadville, PA	814-724-1224
Shuey Sales & Service	Ono, PA	717-865-4915
Triple H Equipment	Peach Bottom, PA	717-548-3775

Distributed by:

**J.S. Woodhouse Co., Inc.**  
Camp Hill, PA  
413-736-5462