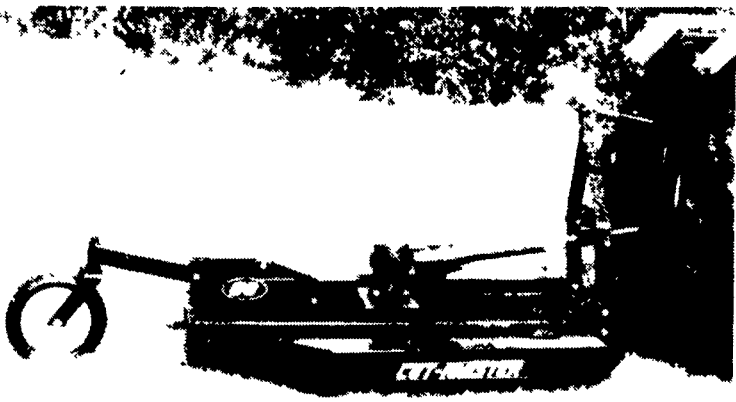


# Long "Cut-Master" cutters



A new line of rotary cutters has been introduced by Long Mfg. N.C., Inc., Tarboro, N.C. The "Cut-Master" line offers widths from 36" to 84" to meet a wide range of cutting needs. The Long cutters have been redesigned and tested to give outstanding features and durability for the least cost. Features include high quality materials and construction; oval blade holder pan to help cutter ride; over solid objects such as stumps; rugged gear box with all tapered roller bearings; nodular iron construction and strong 6 bolt mounting; heat treated blades; reinforced deck, tapered at rear for easy discharge. The cutters are available in lift and pull type. An extra protective shield (chain guard bundle) is available for all models.

# N.Y.-N.J. dairy promotion plan approved

NEW YORK — A plan whereby dairy farmers contribute money for milk promotion activities of the American Dairy Association and Dairy Council, Inc., headquartered in Syracuse, was again approved today by Thomas A. Wilson, Market Administrator, New York-New Jersey Milk Marketing Area. These milk promotion activities include advertising, nutrition education, publicity for dairy products, marketing and product research, and informational services.

This year the deduction under the "positive letter" will again be applied as a credit against the 15 cents per hundredweight dairy promotion deduction required by the Dairy and Tobacco Adjustment Act of 1983. Up to 10 cents designated by producers for an approved local promotion program such as that of the American Dairy Association and Dairy Council,

Inc. is eligible as an offset to this mandatory 15-cent deduction.

Mr. Wilson said that today's action allows handlers regulated by the marketing orders to send "positive letters" to their dairy-farmer suppliers. A dairy farmer who receives a letter will be considered to approve, for one year, deductions of 10 cents per hundredweight from his monthly milk checks, unless he notifies his handler in writing that no deduction should be made.

Moneys deducted from payments for milk delivered on or after May 1, 1985 will be paid directly by the handler to the American Dairy Association and Dairy Council, Inc., Syracuse, New York.

The Market Administrator explained that participation in the local program is voluntary for both handlers and producers, and a participating producer may have

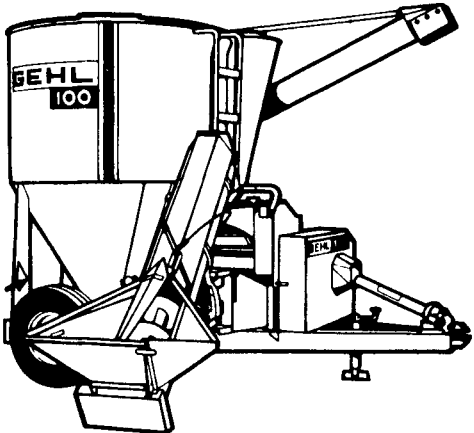
deductions stopped at any time by notifying the handler. A producer who receives no letter need not contact his handler since no deduction will be made for the local program.

In approving the plan for the coming year, Mr. Wilson pointed out that there has been no substantial opposition to the use of the positive letter procedure by producers.

Use of the positive letter approach was requested by Dairylea Cooperative Inc., Eastern Milk Producers Cooperative Association, Inc., and Northeast Dairy Cooperative Federation, Inc.

# 4-H

## Hydraulic Gehl Mix-Alls®



Gehl's Put Good Ideas to Work in a hydraulic grinder-mixer for less maintenance, easier operation. The 100-bushel Mix-Alls unloads as quickly as 3½ minutes. Features include the big 21" mill with 66 reversible hammers, hydraulically driven infeed attachments with infinite speed control, and quick-change screens for faster performance and operating convenience. Stop by and see the hydraulic 100 Mix-All today!

## World Class Performers



Gehl's elite skid steer loaders, the 3510/3610, boast efficiency, convenience and comfort. Featuring the super simple T-bar controls in a split, side-mounted position, you can choose from a reliable, fuel efficient Isuzu diesel or Ford industrial gas powered engine. Stop in today and ask us about the high performance 3510/3610 skid loaders from Gehl.

# GEHL®

# GEHL®

**All Gehl Equipment Has Interest Free Waiver Until November 1, 1985**  
Ask Your Dealer About Rebates Instead of Delayed Payment

**PEOPLE'S SALES & SERVICE**  
Oakland Mills, PA  
717-463-2735

**A.L. HERR & BRO.**  
Quarryville, PA  
717-786-3521

**CLAIR J. MYERS**  
Lake Road R1  
Thomasville, PA  
717-259-0453

**ARNETT'S GARAGE**  
Rt 9 Box 125  
Hagerstown, MD  
301-733-0515

**R.E. SMELTZER EQUIPMENT CO.**  
RD 2, Box 2  
Centre Hall, PA  
814-364-1419

**J & M MACHINERY**  
Greensburg, PA  
412-668-2276

**BENNETT MACHINE CO.**  
1601 S Dupont Blvd  
Milford, DE  
302-422-4837

**NICHOLS FARM EQUIPMENT**  
Bloomsburg, PA  
717-784-7731

**STOFFER BROS. INC.**  
Chambersburg, PA  
717-263-8424

**GEO. W. KINSMAN, INC.**  
516 Main Street  
Honesdale, PA  
717-253-3440

**LEBANON VALLEY IMPLEMENT CO., INC.**  
Richland, PA  
717-866-7518

**DAYTON EQUIPMENT COMPANY**  
Dayton, PA  
412-783-6990

**UMBERGER'S OF FONTANA**  
Rt 4 Lebanon, PA (Fontana)  
717-867-5161

**ECKROTH BROS. FARM EQUIPMENT**  
RT 2 Box 24A  
New Ringgold, PA  
717-943-2131

**MILLER EQUIPMENT CO.**  
RD 1  
Bechtelsville, PA  
215-845-2911

**ELDER SALES & SERVICE, INC.**

RT 1 Box 619  
Stoneboro, PA  
412-376-3390  
412-376-3740  
**BINKLEY & HURST BROS.**

133 Rothsville  
Station Road  
Lititz, PA  
717-626-4705

**PETERMAN FARM EQUIPMENT, INC.**  
225 York Rd  
Carlisle, PA  
717-249-5338

**HINES EQUIPMENT**  
Cresson, PA  
814-886-4183  
Bellwood  
814-742-8171



The satisfaction that comes from doing a good job of farming

Liming is one of the most important factors in keeping your soil in the highest productive range. A good pasture with a pH of 6.5 or higher for example will make 300 to 400 lbs of beef per acre and produce up to \$100 gross income per acre. This means with the help of lime profits from pastures can compare favorably with feed or grain crops.

ORDER NOW FOR PROMPT DELIVERY  
Blue Ball (717) 354-4125  
Gap (717) 442-4148



# Golden Acres® BRAND

Golden Acres is a brand name registered by Taylor Evar's Seed Company, Tulsa, Texas 79088. T.E. names or numbers are variety designations.

## HYBRID SEED CORN

TOP YIELDER



# TE 6995

- Extreme Upright Leaves
- Dark Green, Husky Plant
- Long Ears, Fast Drydown
- Tall, Robust Hybrid
- Ideal For Narrow Rows
- 110-Day Maturity Range

**WE RECOMMEND TE 6995**

SEE YOUR LOCAL GOLDEN ACRES DEALER Or Contact

**Mr. Thomas L. Hunter**  
Distributor for PA, N.Y. & N.J.  
State Street, Millville, Pa. 17846 PH. 717-458-6043

COME IN NOW FOR YOUR SEED NEEDS