

Use Easter eggs to create entry for egg recipe contest

HARRISBURG — Don't know what to do with all those eggs left by the Easter bunny? Why not use them to create a special dish and enter it in the 1985 Egg Recipe Contest?

Any Pennsylvania resident, grade 6 through adult, is eligible to enter the competition, which has an April 15 deadline.

The recipe should include at least one egg per serving, and should provide exact amounts of each ingredient in the order used in the recipe. Be sure to include cooking utensils, time and temperatures in the recipe method. Recipes should not include garnishes.

Entries are being sought in two categories — the junior division, grades 6 through 12, and the adult division. Seven 'eggcellent' regional champions in each division will each be awarded \$200 and become eligible to compete for the top state junior and adult titles and \$1,000 in prizes in September 1985.

The two finalists may then enter the National Egg Cooking Contest with top prizes of \$4,000. Second place winner will receive \$1,500 and third place finisher \$1,000.

Recipes should be sent to EGGs, Bureau of Markets, Pa. Department of Agriculture, 2301 North Cameron Street, Harrisburg, PA 17110-9408. More than one entry may be submitted per envelope, but each recipe must be on a separate piece of paper. Contestants are requested to print or type their name, address, county, and phone number on each recipe, along with the name of the category of participation.

Recipes will be judged on overall nutritional quality, ease of preparation and suitability to today's fast-paced lifestyles, taste appeal, appearance and creative

combination of eggs with other foods.

The contest is sponsored by the

Pennsylvania Department of Agriculture, Pennsylvania Egg Marketing Association, Penn-

sylvania Poultry Federation and the American Egg Board. All recipes submitted become the

property of the Pennsylvania Department of Agriculture and/or the American Egg Board.

Homelite® pumps . . . the farmer's choice.

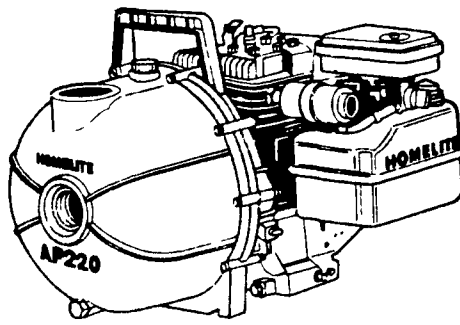
IDEAL FOR CORROSIVE AND ABRASIVE MATERIALS!

SAVE \$30 OFF REGULAR PRICE

AP-220 (2")

Our Reg. Price \$229

NOW \$199⁰⁰



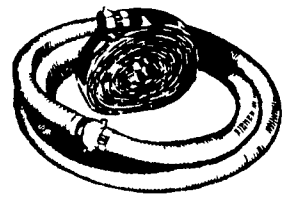
Pump

- Fiberglass-reinforced thermoplastic construction
- Self-priming design
- Molded open 3-vane impeller
- Molded carry handle
- Universal mount base

- Molded volute
 - Molded rubber check valve
 - Stainless steel fasteners
- Engine**
- 3 hp. 4-cycle engine
 - Automatic rewind starter
 - Pneumatic governor

• 1 1/2" Fittings Available For Reducing

10% OFF



ALL 1 1/2" AND 2" SUCTION AND DISCHARGE PUMP HOSE

717-665-2407

Elm, Pa.

SALE ENDS APRIL 20

WE SHIP UPS OR PARCEL POST

Mon., Thurs., Fri. Til 9:30
Tues. & Wed. Til 6:00; Sat. Til 5:00



We Specialize In Aerial Work Using Our Twin Bucket Boom Truck

Extends To 55 Ft

ELECTRICAL CONTRACTING
Specializing In **AGRICULTURAL WIRING**

Also Residential, Industrial And Commercial Work
Free Estimates

C.M. HIGH CO.
320 King St.
Myerstown, PA 17067
Phone: 717-866-7544

We Have Poles In Stock 25', 30', 35' & 45'

DIESEL ENGINE SERVICE

- 671N Power Unit, Rebuilt, 185 H.P.
- 471N Power Unit, Rebuilt, 152 H.P.
- 6V71 Power Unit, Rebuilt, 185 H.P.
- 453N Engine, Rebuilt, 127 H.P.
- 471N Engine, Rebuilt, 152 H.P.
- 1160 Cat Engine, Rebuilt, 225 H.P.
- 8V71T Engine, Rebuilt, 350 H.P.

Tune-Up And Rebuilding

New & Used Parts For Detroit Diesels

GM Diesels 40-440 HP

RD 3, Pleasant Valley Rd.
Ephrata, PA 17522
(717) 733-3890

FARM BUILDINGS NEED PAINTED?

Let Seal Crete **BRIGHTEN** Up Your Life

"The Farm Painting Specialist" Since 1961



We Are The Fussy One's

NOW's The Time To "SPRUCE UP" Your Farm's Appearance

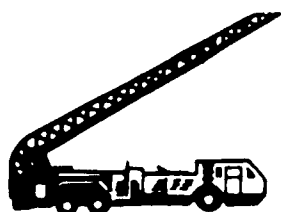
The Job Must Be Done To Your Satisfaction

OUR SPECIALITIES ARE:

AGRICULTURE - COMMERCIAL - INDUSTRIAL - CHURCHES

- Barn Painting
- Milk House
- Roof Coating
- Water Proofing Silos
- Stucco Farmhouses

For FREE Estimate CALL



Seal Crete Inc.

PAINTING & WATERPROOFING
RD 2, Box 417, Ephrata, PA 17522 • 717-859-1127