

# Livestock market and auction news

## Apple Market News Service

Tuesday, March 5

Report Supplied the PDA

Good Morning. The apple market today is strong, prices are remaining firm and steady and supplies are good.

The following is an interesting set of statistics which should be shared with our growers. It was compiled by Dr. Thomas A. Brewer, Associate Professor of Agricultural Economics, Extension, Penn State University and was published in the latest issue of Farm Economics.

Selected Characteristics of the Pennsylvania Apple Industry.

Characteristics: 1972, 1982, Difference:

Number of growers 715, 684, -31.

Number of large growers (at least 2500 trees) 170, 176, +6.

Percent of apples produced by large growers 77, 85, +8.

Number of acres in apples 34,601, 31,072, -3,529.

Number of apple trees 1,815,608, 2,160,471, +344,863.

Varieties (% of all apple trees): Red Delicious 23, 29, +6.

York 22, 17, -4.  
Golden Delicious 16, 16, —.  
Stayman 11, 8, -3.  
Rome 11, 12, +1.  
Other 17, 18, +1.

Prices quoted are wholesale, truckload, F.O.B. at the orchard or packing house.

**Regular Cold Storage**

Bagged apples-Cartons-12/3#, 2 1/4" up Red Delicious U.S. Extra Fancy \$5.50-8.00.

Ida Red U.S. Fancy 7.75.

Stayman U.S. Fancy 7.25.

Traypacked Apples: Red Delicious U.S. Extra Fancy 88's & Lgr. 10.00; 113's 8.50; 125's 8.00.

Loose Packed Apples 42# U.S. Fancy Red Delicious 8.75.

**Controlled Atmosphere Storage**

Bagged Apples, Cartons - 12/3#, 2 1/4" up Red Delicious U.S. Extra Fancy 9.00; U.S. Fancy 7.50-8.00, mo. 7.50; Combination U.S. Fancy & U.S. Extra Fancy 7.50.

Golden Delicious U.S. Fancy 8.00.

Romes: U.S. Extra Fancy 9.00; U.S. Fancy 7.50; Combination U.S. Extra Fancy & U.S. Fancy 7.50.

Traypacked Apples: Red Delicious U.S. Extra Fancy 56-100's 15.00; U.S. Extra Fancy 113's

13.00; U.S. Extra Fancy 125's 11.00-11.50; Combination, U.S. Fancy & U.S. Extra Fancy 56-100's 11.50; Combination, U.S. Fancy & U.S. Extra Fancy 113's 9.50-10.00; Combination, U.S. Fancy & U.S. Extra Fancy 125's 9.00.

Golden Delicious: Combination U.S. Fancy & U.S. Extra Fancy 72's-100's 12.50; Combination U.S. Fancy & U.S. Extra Fancy 88's 11.00; Combination U.S. Fancy & U.S. Extra Fancy 113's 11.50; Combination U.S. Fancy & U.S. Extra Fancy 125's 10.50.

Romes: U.S. Extra Fancy 44's 80's 14.00; U.S. Extra Fancy 88's 13.00; U.S. Extra Fancy 100's 11.00; Combination U.S. Fancy & U.S. Extra Fancy 64's-88's 11.00; Combination U.S. Fancy & U.S. Extra Fancy 88's-100's 10.50.

## Keister's Livestock

Middleburg, Pa.

Tuesday, March 5

Report supplied by PDA

**CATTLE 286.** Compared with last Tuesday's market, slaughter cows steady to \$1.75 higher. Few Low to Average Choice 1100-1500 lbs. slaughter steers 61.00-64, few

55-58.60, Good 53.75-59.75; Good holsteins 50.75-54.75, Standard 45.00-52. Few Choice slaughter heifers 57.00-62, one 68.50, few Good 54.00-56. Breaking Utility & Commercial slaughter cows 42.50-47.60, Cutter & Boning Utility 38.75-43.75, Canner & Low Cutter 35.35-38.50, Shells down to 29.50. Few Good slaughter bullocks 53-55.60. Yield Grade No. 1 875-2065 lbs. slaughter bulls 44.85-54.50.

**FEEDER CATTLE:** Medium Frame #1 350-600 lbs. heifers 35.00-45. Medium Frame #1 4-650 lbs. bulls 50.00-58.00.

**CALVES 192.** Choice vealers 79.00-93, Good 60.00-78, few Standard & Good 110-130 lbs. 55.00-58, 70-105 lbs. 45.00-54. **FARM CALVES:** Holstein bulls mostly 60.00-87.00.

**HOGS 562.** Barrows and gilts \$2.75 lower. US No. 1-2 210-235 lbs. barrows and gilts 47.00-48, few 49.60, No. 1-3 190-250 lbs. 46.25-47, No. 2-3 2-270 lbs. 43.00-46. US No. 1-3 270-600 lbs. sows 42.00-45, few 48.50, No. 2-3 250-500 lbs. 32.00-42. **BOARS 31.25-36.50.**

**FEEDER PIGS 113.** US No. 1-3 20-30 lbs. feeder pigs 29-38.50 per head, 35-40 lbs. 40.00-53 per head.

**SHEEP 40.** Choice 30-50 lbs. New Crop Lambs 80.00-100, individual 112, Choice 80-100 lbs. Fall lambs 68.00-71. Slaughter ewes 19.00-24.00.

**GOATS 15:** Large 29.00-50 per head.

## Dewart Livestock

Dewart, Pa.

Monday, March 4

Report Supplied by PDA

**CATTLE 239.** Compared with last Monday's market, slaughter cows mostly steady to \$1 higher. Choice 1100-1400 lbs. slaughter steers 62.00-65.00, Good 54.50-58.75, couple to 61.25, Good holsteins 50.00-54.75, few Standard 43.85-49.00, few Utility 40.50-43.35. Couple Choice slaughter heifers 62.00 & 62.26, few Good 51.50-58.00. Breaking Utility & Commercial slaughter cows 40.00-47.00, few 50.75, Cutter & Boning Utility 37.75-41.50, Canner & Low Cutter 33.00-37.75, Shells down to 29.00. Yield Grade No. 1 (few) 970-1815 lbs. slaughter bulls 46.75-50.35.

**FEEDER CATTLE:** Few Medium Frame #1 440-830 lbs. steers 49.00-53.00.

**CALVES 243.** Individual Prime vealer at 103.00, Choice 82.50-99.50, few Good 65.00-80.00, Standard & Good 70-105 lbs. 52.00-60.00, Utility 60-85 lbs. 45.00-52.00. **FARM CALVES:** Holstein Bulls 90-125 lbs. 60.00-91.00, few down to 52.00.

**HOGS 111.** Barrows and gilts 50 cents -\$2.00 lower. US No. 1-3 205-250 lbs. barrows and gilts 44.30-47.00, one lot 48.25, one lot No. 1-3 178 lbs. at 32.75. US No. 1-3 3-570 lbs. sows 37.00-45.50. **BOARS 32.00-36.50.**

**FEEDER PIGS 57.** Few Lots US No. 1-3 25-35 lbs. feeder pigs 24.00-35.00 per head, one lot 75 lbs. at 48.50 per head, one lot 170 lbs. at 41.50 per hundredweight.

**SHEEP 3.** Individual Choice 75 lbs. woolled slaughter lamb at 69.00.

# You need rootworm protection and more

Count on LORSBAN\* 15G insecticide for excellent rootworm protection, plus outstanding control of cutworms, wireworms and many other pests. LORSBAN 15G is non-phytotoxic...won't hurt germinating seed. And it won't leach out of the root zone during spring and summer rains. Stop in today for full details on LORSBAN 15G...the rootworm insecticide that controls cutworms, too.

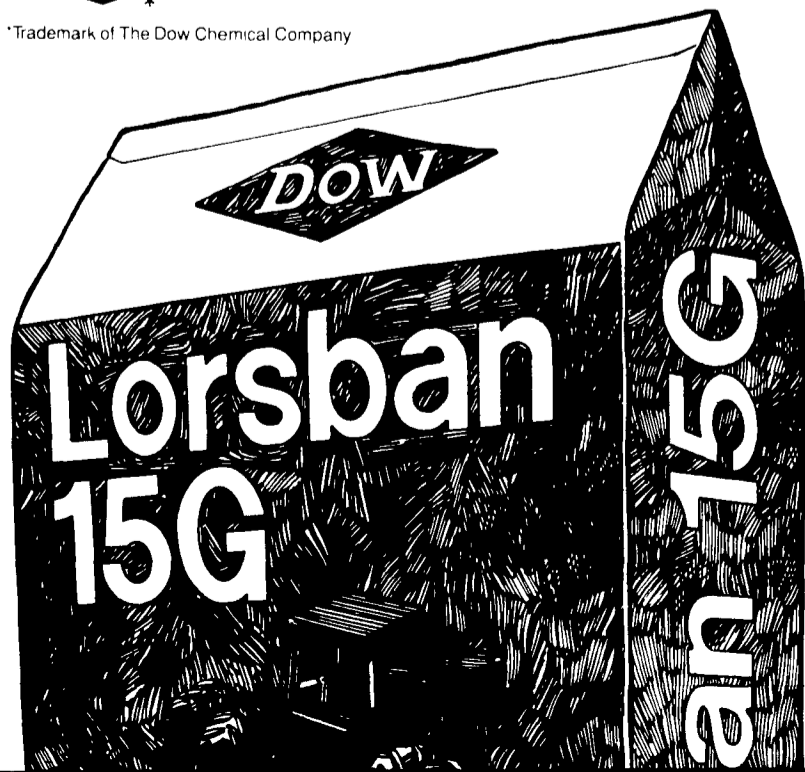
**LORSBAN\* 15G.** It's convincing folks who aren't easily convinced.

To get your free calibration scale and copy of the Scouting Guide for LORSBAN\* 15G Insecticide, call us at 1-800-258-CHEM

**STOP IN AT YOUR LOCAL LORSBAN DEALER FOR MORE INFORMATION**



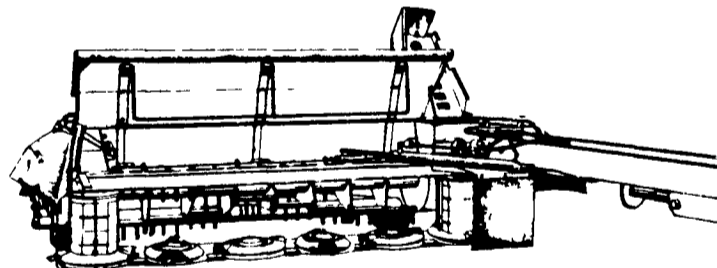
\*Trademark of The Dow Chemical Company



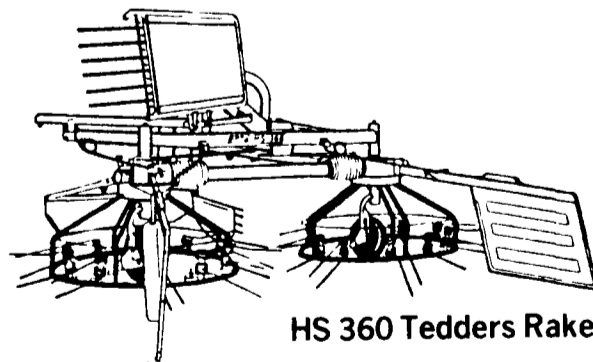
# PZ ZWEEGERS

## The Best Of Both Worlds

PZ Zweegers, inventors of both drum and disk mowers, combine the advantages of both systems in the Falazets. Reliable, modern mowers with a large capacity, Falazets have the ability to produce good results under even the most difficult conditions.



Falazet 230, 275, 320 Mower Conditioners  
7 1/2, 9 and 10 1/2 ft. Cutting Widths



HS 360 Tedders Rake

### PENNSYLVANIA PZ DEALERS

Hepline Farm Equipment	Waynesburg, PA	412-852-1474
Keller Bros. Tractor Co.	Lebanon, PA	717-274-2693
Sandy Lake Ent.	Sandy Lake, PA	412-376-2489
Seiler Farm Equipment	Meadville, PA	814-724-1224
Shuey Sales & Service	Ono, PA	717-865-4915
Triple H Equipment	Peach Bottom, PA	717-548-3775

Distributed by:

**J.S. Woodhouse Co., Inc.**  
Camp Hill, PA  
413-736-5462