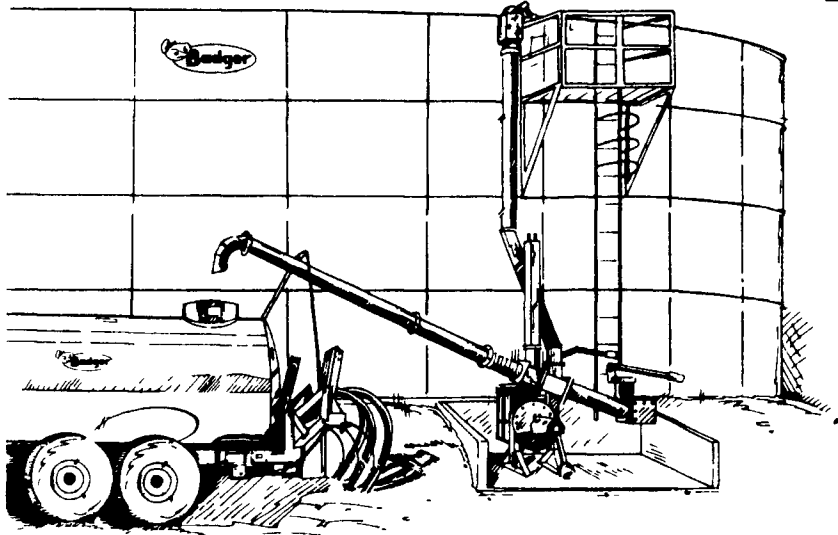


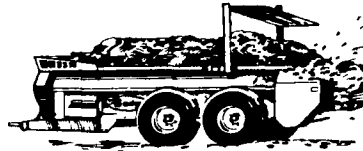
Badger

Sidewall Slurry Pump



- 7,000 gallon per minute capacity
- Designed to retro-fit most structures
- On-the-go changeover from agitation to fill
- Conveniently located electronic controls for the agitation nozzle
- Optional bottom agitation available

Badger

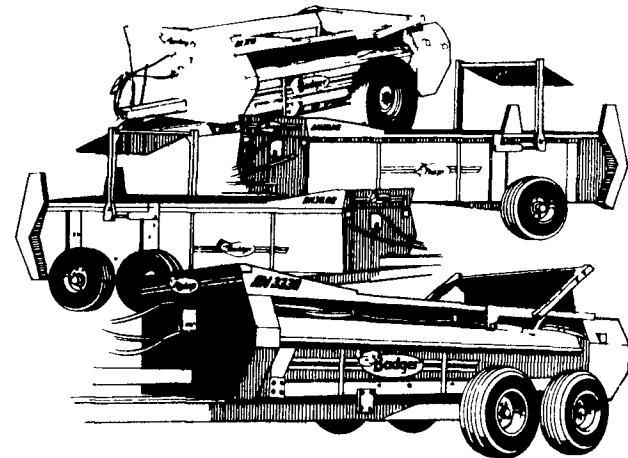


SPREAD
OF VALUES

FACTORY
REBATES
UP TO: \$330.00*

FINANCE
WAIVER TO:
APRIL 1/85

3
Manure
Spreaders
Sizes
To
Choose
From

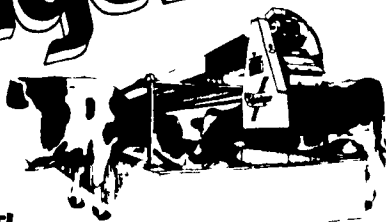


Program Ends February 28, 1985

* At Participating Dealers Only

Badger

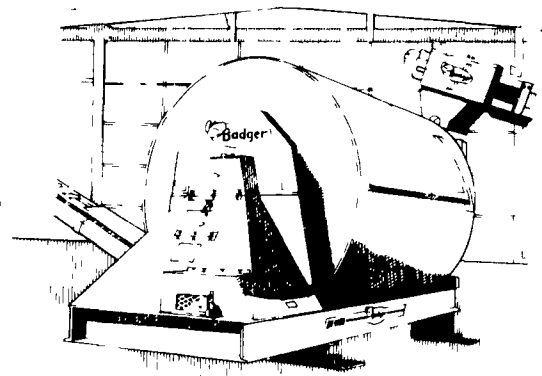
Belt Feeders
Here
Comes The
Pow-R-Express



- Economical to operate
- One motor powers belt and plow
- 14" PVC polyester cord belt
- Wide range of options including select feeding
- Super smooth — super quiet
- BEST OF ALL — IT'S A BADGER!

Badger Northland's TUMBLE-MIX FEED WEIGHER/MIXER

Get More From Your
Feed... More From
Your Cattle!



WAIVER OF FINANCE ON ALL FORAGE EQUIPMENT UNTIL APRIL 1, 1985

Includes: Boxes, Running Gears, Blowers And Mower/Conditioners

4 Months Waiver On
All Farmstead Equipment

SEE YOUR PARTICIPATING BADGER
DEALER FOR DETAILS

WE OFFER A FULL LINE OF
EQUIPMENT WITH FINANCING
OR LEASING



Badger

BRAD TRO EQUIP. CO
RD 2 Box 401
Troy PA 16947
PH (717) 297 4246

JOHN BROWN
RD 1 Box 9
Forksville PA 18616
PH (717) 924 3492

**FANCY FURROW FARMS
AG EQUIP., INC**
RD 1 Uhler Rd
Easton PA 18042
PH (215) 252 8828

C. PAUL FORD & SON
RT 1
Everett PA 15537
PH (814) 652 2051

HOCH'S REPAIR CENTER
P O Box 16 E Market St
Berrysburg PA 17005
PH (717) 367 8252

**HONESDALE SPREADING
SERVICE INC.**
505 Cliff St
Honesdale PA 18431
PH (717) 253 2410

HOOVER EQUIPMENT
R 4 Box 371 H
Tyrone PA 16686
PH (814) 684 1777

HUTTON FARM EQUIPMENT
c/o Joe Hutton
Mahaffey, PA 15757
PH (814) 277-5504

RALPH KETTERER
Deep Run Box 98 Rt 1
Perkasie PA 18944
PH (215) 766 8531

McMILLEN BROS.
Clair McMillen RD 1
Loysville PA 17047
PH (717) 789 3961

MILLER EQUIPMENT INC.
RD #7 Box 256A
Greensburg PA 15601
PH (412) 539 8966

MELVIN G. MILLER
RT 2
Spring Mills PA 16875
PH (814) 422 8279

MONTROSE TRACTOR SALES CO.
P O Box 99 74 Grow Ave
Montrose PA 18801
PH (717) 278 3845

PIKEVILLE EQUIPMENT INC.
RT 2
Oley PA 19547
PH (215) 987 6277

SHOW EASE-STALL CO.
573 Willow Rd
Lancaster PA 17601
PH (717) 299 2536

F. ERNEST SNOOK
RD 3 Box 84
Mifflinburg PA 17844
PH (717) 966 2736

SWOPE & BASHORE, INC
RD 1 Box 173
Myerstown PA 17067
PH (717) 933 4138

TROY MOTORS CO
Troy PA 16947
PH (717) 297 3674

UNIONTOWN FARM EQUIPMENT CO
P O Box 1030 Rt 119
Uniontown PA 15401
PH (412) 437 9851

WILLIAMS FARM SYSTEMS
RD 1 Box 324
Linden PA 17744
PH (717) 322 6164

WOLFE'S BADGER SALES
RD 1 Box 420
Milton PA 17847
PH (717) 524 0931

LEONARD WORK
RD #3
Brookville PA 15825
PH (814) 849 3361

VAN AKEN DAIRY SUPPLIES
RD 2
Columbus NJ 08022
PH (609) 298 3344

RT 40
Elmer NJ
PH (609) 358 2508

CECIL DAIRY SERVICE
RD 1 Rt 274
Mt South Rising Sun MD
21911
PH (301) 658 6923

DUDLEY CHANCE & SON
RT 1
Galena MD 21635
PH (301) 928 3834

HEFLIN SALES & SERVICE
12312 Oak Hill Rd
Woodsboro, MD 21798
PH (301) 898 3233

C & C FARMERS SUPPLY
RD 8 Box 23A
Harrisonburg VA 22801
PH (703) 433 8582