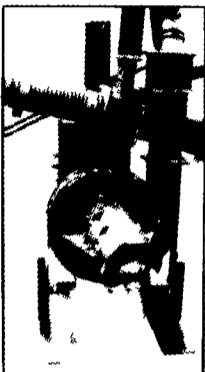
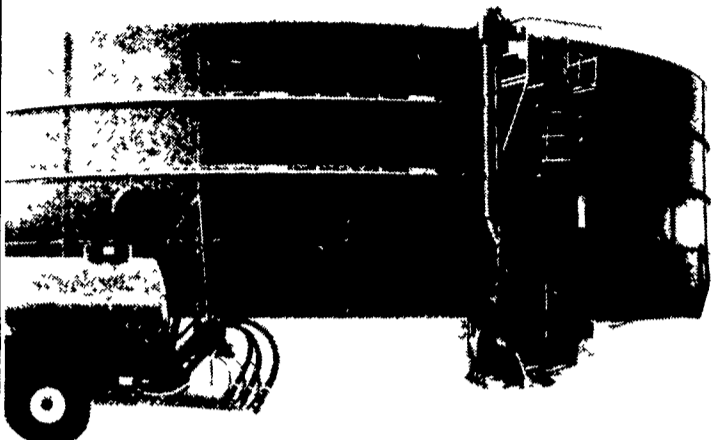




Badger Northland's

NEW

SIDEWALL SLURRY PUMP



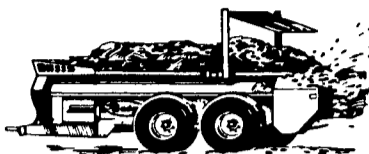
Adaptable to all makes of liquid manure storage structures, the Badger Sidewall Pump has the heft and the capacity to make liquid manure agitation and hauling a breeze on your farm. It delivers the kind of performance that makes it a "Badger", and we'll stake our reputation on it.

Other Quality Badger Features:

- High velocity agitation reducer nozzle with stream straighteners
- Hydraulic valve operated right from the tractor seat allows on-the-go changing from agitate to fill. No need to shut down.
- Pump designed to retro-fit most above ground storage structures
- Waterproof seals — Protecting the anti-friction bearings
- All valve gates have special rubber facing to prevent deterioration by corrosion
- 1 1/4" high strength steel drive shaft
- Optional bottom agitation models available

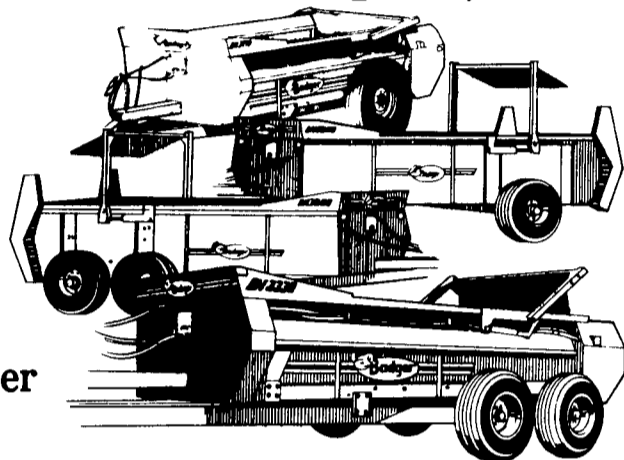
**TAKE
ADVANTAGE
OF OUR**

**SPREAD
OF VALUES**



**Factory Rebates Up To \$330*
OR
Waiver of Finance until April 1, 1985**

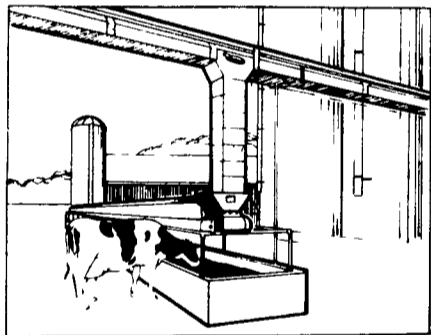
With The
Purchase
of
ANY
New
Badger
Manure Spreader



ENDS JANUARY 31, 1985

* At Participating Dealers Only

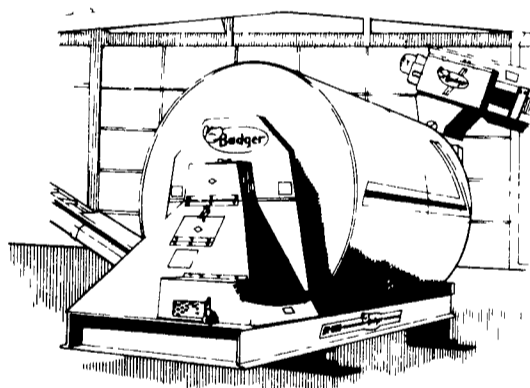
**Come on in and see the POW-R-EXPRESS
Belt Feeder/
Conveyor System
now!**



And while you're here, take a look at our POW-R-GLIDE Conveyor, the perfect compliment to the POW-R-EXPRESS.

Badger Northland's
**TUMBLE-MIX
FEED
WEIGHER/MIXER**

*Get More From Your
Feed... More From
Your Cattle!*



**WAIVER OF FINANCE ON ALL
FORAGE EQUIPMENT UNTIL APRIL 1, 1985**
Includes: Boxes, Running Gears, Blowers And
Mower/Conditioners

**WAIVER OF FINANCE CHARGES
UNTIL MARCH 1, 1985**
ON TANKS, MANURE PUMPS, AND
CONVENTIONAL MANURE SPREADERS

**4 Months Waiver On
All Farmstead Equipment**

**SEE YOUR PARTICIPATING BADGER
DEALER FOR DETAILS**

**WE OFFER A FULL LINE OF
EQUIPMENT WITH FINANCING
OR LEASING**



BRAD-TRO EQUIP. CO.
RD 2, Box 401
Troy, PA 16947
PH (717) 297-4246

JOHN BROWN
RD 1 Box 9
Forksville, PA 18616
PH (717) 924-3492

**FANCY FURROW FARMS
AG EQUIP., INC.**
RD 1, Uhler Rd
Easton, PA 18042
PH (215) 252-8828

C. PAUL FORD & SON
RT 1
Everett, PA 15537
PH (814) 652-2051

HOCH'S REPAIR CENTER
P O Box 16-E Market St
Berrysburg, PA 17005
PH (717) 362-8252

**HONESDALE SPREADING
SERVICE INC.**
505 Cliff St
Honesdale, PA 18431
PH (717) 253-2410

HOOVER EQUIPMENT
R 4 Box 371 H
Tyrone, PA 16686
PH (814) 684-1777

HUTTON FARM EQUIPMENT
c/o Joe Hutton
Mahaffey, PA 15757
PH (814) 277-5504

RALPH KETTERER
Deep Run Box 98 Rt 1
Perkasie, PA 18944
PH (215) 766-8531

McMILLEN BROS.
Clair McMillen RD 1
Loysville, PA 17047
PH (717) 789-3961

MILLER EQUIPMENT INC.
RD #7 Box 256A
Greensburg, PA 15601
PH (412) 539-8966

MELVIN G. MILLER
RT 2
Spring Mills, PA 16875
PH (814) 422-8279

MONTROSE TRACTOR SALES CO.
P O Box 99, 74 Grow Ave
Montrose, PA 18801
PH (717) 278-3845

PIKEVILLE EQUIPMENT INC.
RT 2
Oley, PA 19547
PH (215) 987-6277

SHOW EASE-STALL CO.
573 Willow Rd
Lancaster, PA 17601
PH (717) 299-2536

F. ERNEST SNOOK
RD 3, Box 84
Mifflinburg, PA 17844
PH (717) 966-2736

SWOPE & BASHORE, INC.
RD 1, Box 173
Myerstown, PA 17067
PH (717) 933-4138

TROY MOTORS CO.
Troy, PA 16947
PH (717) 297-3674

UNIONTOWN FARM EQUIPMENT CO.
P O Box 1030 Rt 119
Uniontown, PA 15401
PH (412) 437-9851

WILLIAMS FARM SYSTEMS
RD 1, Box 324
Linden, PA 17744
PH (717) 322-6164

WOLFE'S BADGER SALES
RD 1 Box 420
Milton, PA 17847
PH (717) 524-0931

LEONARD WORK
RD #3
Brookville, PA 15825
PH (814) 849-3361

VAN AKEN DAIRY SUPPLIES
RD 2
Columbus, NJ 08022
PH (609) 298-3344

Rt 40
Elmer, NJ
PH (609) 358-2508

CECIL DAIRY SERVICE
RD 1 Rt 274
1/2 Mi South Rising Sun MD
21911
PH (301) 658-6923

DUDLEY CHANCE & SON
RT 1
Galena, MD 21635
PH (301) 928-3834

HEFLIN SALES & SERVICE
12312 Oak Hill Rd
Woodsboro, MD 21798
PH (301) 898-3233

C & C FARMERS SUPPLY
RD 8 Box 23A
Harrisonburg, VA 22801
PH (703) 433-8582