

Carcass quality high in first Shorthorn steer futurity

LOUISVILLE, Ky. — Young cattle producers from Illinois and North Dakota nabbed the Grand and Reserve Grand Champion prizes in the first Shorthorn steer futurity. The live and carcass contests were held in conjunction with the fourth World Shorthorn Conference and the 1984 North American International Livestock Exposition, Louisville, Ky.

Dr. Gary Minish, Blacksburg, Va., served as judge for the 22-head event. In overall contest results, 17 of the 22 steers shown graded Low Choice or above, with only one carcass recorded as a yield grade 4.

Lori Muck, Rockford, Ill., exhibited her purebred Shorthorn steer, sired by Deepark Leader 13th, to the grand championship

over all entries. The June 4, 1983 steer weighed 1,395 pounds and posted a 2.65 weight per day of age (WDA). He stood 54.5 inches tall at the hip. In the carcass contest, the entry posted impressive statistics. This included a hot carcass weight of 911 pounds, a loin eye area of 14.7 inches, a backfat thickness of .4, a kidney-pelvic-heart (KPH) percentage of 2.0, and a carcass WDA of 1.73 pounds. The steer had a preliminary yield grade of 2.9, a USDA final yield grade of 2.7, and a USDA quality yield grade of Low Choice. He received a Gold Merit Award Certificate.

Reserve grand champion honors went to Lyle Symington, Neche, N.D., on his 7/8 appendix steer by CCS Irish Invader 37N, born March



9, 1983. The red steer on show day weighed 1,355 pounds, had a WDA of 2.21 pounds, and stood 56 inches tall at the hip. On the rail, he yielded a carcass weighing 858 pounds that had a loin eye area of 15.5 inches. Backfat thickness on the entry was .3, KPH percentage

was 2.0 and he had a carcass WDA of 1.4 pounds. He had a preliminary yield grade of 2.7 and a final USDA yield grade of 1.9. His carcass had a USDA quality grade of Low Choice. He also received a Gold Merit Award Certificate.

Guidelines for the futurity included that the steers be divided into three classes according to weight in two divisions—fullblood and appendix. A live placing was made in each class with a champion and reserve champion selected in each division. The judge had access to each steer's present weight and weight per day of age.

At slaughter, carcasses were judged under one classification and the following criteria was required of each steer in order to

qualify for the carcass contest:

1. Minimum carcass WDA- 1.25 pounds per day of age.
 2. Minimum USDA carcass quality grade- USDA low Choice.
 3. Maximum USDA carcass yield grade- USDA grade 3.00.
- Carcasses meeting all three of the above stated criteria were awarded a Gold Merit Award Certificate; those meeting any two of the above criteria were awarded a Silver Merit Award Certificate; and any carcass that met any one of the above criteria was awarded a Bronze Merit Award Certificate.

The final carcass ranking was determined with 40 per cent of the rank based on carcass weight per day of age, 40 per cent on the USDA yield grade, and 20 per cent on the USDA quality grade.

PFU moves office

HARRISBURG - Effective immediately, the Pennsylvania Farmers Union's new address is: P.O. Box 12085, Harrisburg, PA 17108-2085.

The state office is moving operations from its current location on Ararat Boulevard to

the third floor of the State Grange Building on North Second Street.

The Pennsylvania Farmers Union will continue to serve over 4500 members in 31 chartered counties from its new headquarters.

GIGANTIC SELECTION
IN
Lancaster Farming's CLASSIFIEDS

Central Michigan Tractor & Parts

2713 N. US 27, St. Johns, MI 48879



Call The Professionals
Toll Free:
1-800-248-9263
Michigan Res.:
1-800-292-9233

For a savings of 50% off dealers list on good used tractor & combine parts.

Wayne®

PET FOODS

WINDSOR FEED SUPPLY CO.

Pet & Livestock - Feeds & Needs
Rte. 61 HAMBURG, PA
215-562-3444



FARMER BOY AG, INC.

Distributor For

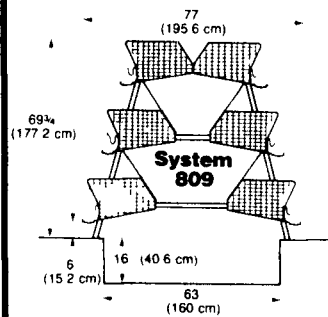
DIAMOND POULTRY SYSTEMS

Farmington, Michigan



Diamond Systems

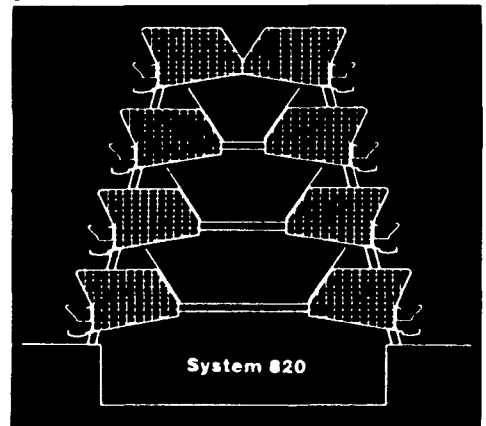
2- and 3-High Modified Stair-Step Cage Layer Systems



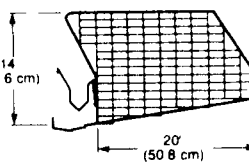
Exclusive Contour Cage gives birds more room

DIAMOND SYSTEMS

The All New Diamond Systems 4-High Modified Stair-Step Cage Layer Systems With Dropping Curtains



12, 15, or 24" wide x 20" deep
4, 5, 8 or 9 birds /cage



SAVE ON INVESTMENT, MAINTENANCE & OPERATION
Ask Farmer Boy Ag How To Save As Much As 50% Per Bird In Housing & Equipment Cost In This All New Diamond 820 4-High Cage Layer System.

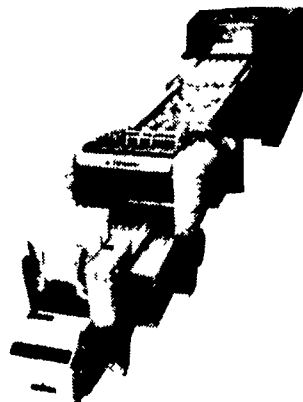
SALES & SERVICE

For Buildings And Equipment

CALL

IRVIN HORST LARRY HORST
Office (717) 866-7565 Office (717) 866-7565
Home (717) 866-2815 Home (717) 949-3022

For Egg Packing You Can Bank On Us.
Diamond Automation's FARMPACKERS are... Eggscellent!



New Diamond Systems 3-High Starter-Grower

SWINE & POULTRY SYSTEMS SPECIALISTS
FARMER BOY AG, INC.
410 E. LINCOLN AVE. MYERTOWN PA 17067 PH 717 866 7565
BEST IN DESIGN, PRICE AND EXPERIENCE

THE 028 STIHL WOOD BOSS™
\$299.95



SAVE AT LEAST \$45.

DON'T SETTLE FOR LESS THAN A STIHL WHEN YOU CAN GET A STIHL FOR LESS.

There may never be a better time to move up to the chain saw you want! The 028 Stihl Wood Boss™. Big on performance. Bigger on value. And now only \$299.95. At least a \$45.00 savings off manufacturer's suggested retail. At under \$300.00, it's not just a bargain, it's a Stihl. And remember, Stihl quality starts at under \$200.00 with the Model 009.

A & B SALES & SERVICE

2 Miles South of Rt. 23 Along 772 Thru Monterey - RD 1 Ronks PA

STOLTZFUS WOODWORK

RD Gap, PA Box 183 1 Mile North Rt. 897 From Gap

WES STAUFFER SALES & SERVICE

RD 3 Ephrata PA Phone (717) 738 4215 Ephrata Exit New Rt. 222 1/2 Mile West on Rt. 322 Turn left onto Pleasant Valley Rd

BOMBERGER'S STORE, INC.

Newport Rd., Elm, PA 717-665-2407

MARTIN HARDWARE & EQUIPMENT CO.

Rt. 501 1 1/2 Miles South of Schaeferstown PA Phone 717 949 6817

GOOD'S STORE

At the Country Mart, RD2 East Earl Route 23 Just East of Blue Ball 717 354 4026

STIHL®

THE WORLD'S LARGEST SELLING CHAIN SAW