

MORE EVERYDAY SPECIALS FROM FARMER BOY AG!

✓ **Check These Prices**

L.B. WHITE
COMPANY, INC.
(EVAL ALBA WI 0-1114)

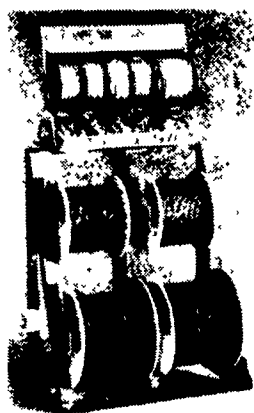
WHITE HEATERS

LOW COST, RELIABLE HEAT FOR THE FARM

- Engineered for farm use
- Ideal for livestock and poultry barns
- Work in comfort
- Pays for itself
- Proven reliability
- Low maintenance
- Quiet comfort
- Safe, clean heat
- Design American Gas Association certified
- Lowest price tag
- Simple installation
- Automatic thermostat control

Animals Produce Better, You Work In Comfort With White Heaters.

CHECK OUR PRICES BEFORE YOU BUY!



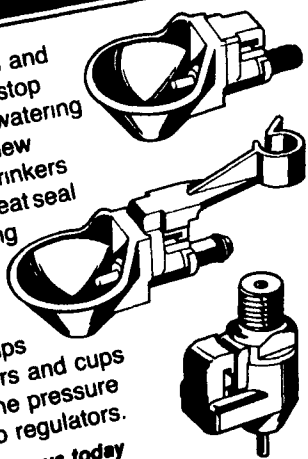
GALVANIZED AND STAINLESS STEEL CABLE

Top Quality, All 7x19 Cable

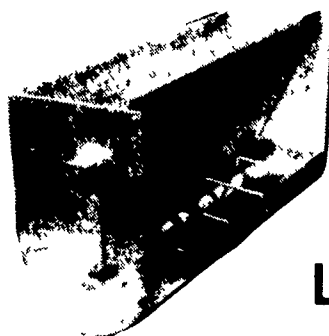
SIZE	GALVANIZED	STAINLESS STEEL
1/8"	.08¢	.21¢
3/16"	.10¢	.32¢
1/4"	.13¢	.48¢
5/16"	.18¢	.71¢

LET US SHOW YOU SIMPLE SOLUTIONS FOR YOUR LEAKING CUPS OR NIPPLE DRINKERS

We have new drinkers and cups that will virtually stop leaks in your existing watering pipe systems. These new ZIGGITY SYSTEMS drinkers and cups have a triple seat seal which helps solve leaking problems. Also the valves activate in all directions; a unique design keeps Ziggity cups clean; and both drinkers and cups operate on very low line pressure provided by Ziggity-Flo regulators. Phone or come see us today for your simple solution.



FARMER BOY PROVEN NURSERY FEEDER



A Heavy-Duty Feeder At A Lightweight Cost

This efficiency galvanized round bottom feeder comes with easy top adjust, which reduces feed waste to almost none.

NOW AVAILABLE:
DOUBLE-SIDED FEEDER
6 Holes On Each Side

ATTENTION PORK PRODUCERS

E-Z FLUSH SWINE WASTE TREATMENT

- CONTROLS PIT GAS PRODUCTION • IMPROVES SOLIDS HANDLING
- RETAINS MAXIMUM FERTILIZER VALUES • REDUCES LAND APPLICATION ODORS

E-Z FLUSH Waste Treatment Program Is Simple:

E-Z FLUSH Stops Biological Activity in Wastes During Storage, With No Bugs Eating the Wastes, No Gases Are Produced, No Nitrogen Is Lost From Conversion to Volatile Ammonia. Land Application Odors Are Virtually Eliminated.

E-Z FLUSH Neutralizes the Ionic Attraction That Makes the Solids Stick Together, the Wastes Are Not Sticky, Therefore They Pump Much Easier.

Mike Stueham
Plum Creek Pork
Cozad, NE

"Reduced deaths in nursery — 20 pigs for 2 gal. E-Z FLUSH"

Sam K. Steltzrus
Loganton, PA

"No foul land application odors."

"We have a 500 sow feeding pig operation with a Sands building with 4 foot deep pull plug pits to a lagoon. Before we started using E-Z FLUSH, we had solids built clear up to the slats at each end of the 4'x4'x160' pit which the five nursery rooms, the plug is in the middle, 80' from each end and was intended to operate as a trickle-type pit. By using E-Z FLUSH as recommended, we have steadily reduced the solids in these pits. Each time we pull the plug, we gain a little. At this time we have reduced the solids to the point that we are allowing the pit to trickle and only pulling the plug when we pump the lagoon. There are usually 1000 pigs in the nursery. Before using E-Z FLUSH to control the pit gases, we were running 40 to 50 dead pigs a month out of the nursery. Now we are losing less than 20 per month and the only change we made was starting on the E-Z FLUSH program. Saving 20 pigs a month by using two gallons of E-Z FLUSH is a real bargain."

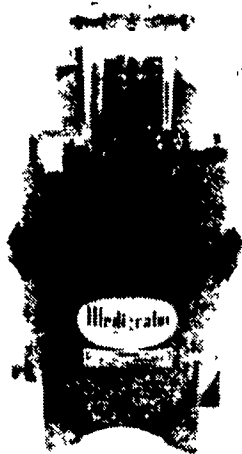
"I am a hog producer with a 12 crate farrowing house plus nursery room for 200 pigs up to 60 pounds. This building is 28 ft. by 56 ft. and is fully pitted. We started using E-Z FLUSH in Jan. 1984, and we have noticed a considerable improvement in the manure odor in the building as well as on the field. The last time we spread on the field, which was the first treated manure, we didn't have the usual foul odor until about a week later. We thought then the E-Z FLUSH must have lost it's power, but learned later the neighbor was spreading untreated manure adjacent to our field. With our operation, we feel that by changing from our present concrete floors to woven wire and continuing on the E-Z FLUSH program, we could easily double our capacity, in the same building."

ADVANTAGES TO THE PRODUCER FROM THE E-Z FLUSH WASTE TREATMENT PROGRAM

1. Reduced expenditures for animal health products.
2. Reduced death losses.
3. Reduced winter heating costs.
4. Prolonged equipment and building life.
5. Reduced feed costs and time-to-market.
6. Reduced producer health hazards.
7. Maximum nutrient retention in wastes.
8. Reduced risk of loss of animal and human life during pit emptying.
9. Reduced risk of animal deaths during power outages.
10. Reduced land application odors.

MEDICATE YOUR FARM ANIMALS ACCURATELY

Simple valve adjustment permits wide range of proportional settings...



* NO CORROSIVE PARTS

* NO POPPETS OR PUMPS

* NO MOVING PARTS TO MAINTAIN

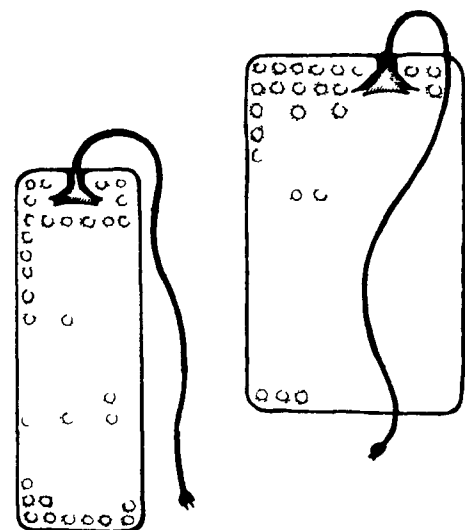
SPECIAL 4 GAL. (Old Style)

List Price \$249 **OUR PRICE \$90**

CAM-LINE FIBERGLASS HEAT MATS

As Low As

\$21 PER MAT

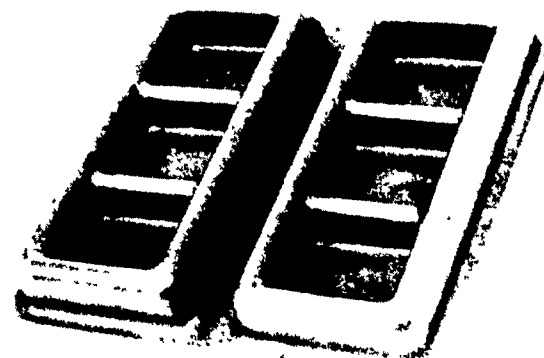


ALL SIZE MATS AVAILABLE

HEAVY DUTY CREEP PAN FEEDER

Low Cost

Quick Start Pan. 13" square, 1 3/4" high. One pan feeds two crates. Three section design cuts feed waste.



Swine Systems Specialists

FARMER BOY AG.

410 EAST LINCOLN AVE. MYERSTOWN, PA 17067

PH: 717-866-7565

BEST IN DESIGN, PRICE AND EXPERIENCE

Quality Is Our Name - Low Price Is Our Aim