

For Sale - JD 1630 disc, 26" blades, good cond., \$3,500. 1 beams, 10 cents lb. Corn sheller, \$50 717-626-2920

For Sale - Guernsey family cow, fresh, 6 weeks. Daniel M. Hoover, RD1, Denver, Pa. 17517, north of Fivepointville on School Rd

For Sale - 5 HP Poulan log splitter exc shape or trade on seeder/spinner or gravity wagon. Carroll County 301-857-4639.

For Sale - White Whirlpool wringer washing machine-like new, price \$75.00 after 4:00 p.m. 717-392-2214.

For Sale - Black Columbian cookstove, good condition. 12 and 14" oak wagon tongues. Ben Stoltzfus, 55 Griest Rd, Nottingham, Pa. 19362.

For Sale - 1929 Mc-Cormick Deering 1020 all steel complete-running good cond. \$550 or Best offer 717-872-8009 after 6.

Notice - Will board heifers or cattle year round. Consult for reservations. Will feed whatever feed you prefer Leb Co. 717-949-3842

For Sale - 20,000 gal Heavy Duty Steel Tank Also double door wood-burner, made out of 275 gal. tank. 717-367-2667.

For Sale - 1983 Kawasaki KX80 Dirt Bike, exc. cond. \$700 or best offer. Lanc Co. 717-859-1054.

Wanted - 3 to 5 horse power slow speed Lister or Banford Diesel. Lanc. Co. 717-656-6109.

For Sale - Lister 16-2 diesel, running cond and one for parts best offer B.K. Fisher, Ronks, Pa.

For Sale - Alpine Buck Service - Amity Journeyman. Dam Fox Hill Merryrose. Sire Hill-N-Holler Star Journey Exc milk. Bucks Co 215-257-8847.

Wanted - For JD model L A, right rear 6 studed wheel hub F. Tremel, Box 731, West River, Md Anne Arundel Co. 301-261-5327.

For Sale - Riteway wood burning stove. 518 Manure spreader w/new sides, Dunham front end loader w/bracket's. Chester Co. 215-273-3585.

Used Bee Equipment, Inverbrook Apiaries, R.D. #2 Box 230, West Grove, Pa. 19390, 215-869-3353.

Build your own pig feeders for under \$10. 100# capacity. Easy plans. \$2.00. Rt. 1, Box 742, Mardela, MD 21837.

For Sale - 6 year old bay saddle bred horse \$850 Benuel E. Stoltzfus, RD1, Box 696, Honey Brook, Pa. 19344.

For Sale - 9' J.D. snow plow VGC type SNE0082 Fits WFE 2510-4020 series \$600.00. OBO Bucks Co. 215-982-5731

For Sale - Antique Jaeger concrete mixer on wheels in running order and antique Ohio #11 fodder cutter Lanc. Co. 717-768-8901.

For Sale - Chi-Hereford X Steer - Show Prospect Hereford Steers - Halter Broke, 400-500 lbs. 304-725-7825, Charles Town, WV

For Sale - 42" snow blade, 36" snow thrower attachment for Dynamark tractor. after 5 p.m. Cumberland Co. 717-486-7819.

For Sale - NH fodder shredder attachment for N.H. baler, good cond. \$200/offer. Leb. Co. 717-865-4329 or 865-6220.

For Sale - 2 iron gallon butcher kettles no rust, \$100 each. 200 burlap bran bags, 10 cents each-no holes. 717-566-0092.

For Sale - 1 fresh heifer - 1 - 3th calf. Cow. Both just freshen. Good milkers. after 4:00 p.m. 717-386-4451.

For Sale - Platform scales weighs to 900 lbs. 6 volt fuel controller, 110 gal fuel tank w/pump. Centre Co. 814-364-9933.

For Sale - JD MT tractor for \$1800 - w/cultivator, plow and new rear tires 1812 hrs. Tractor. Dauphin Co. 717-566-8944.

For Sale - Remington Super 754 24 inch bar Chain Saw running cond. \$65.00. Lanc. Co. 215-267-8211.

For Sale - 20 Ton Quality new ear corn \$55 a ton U Haul; Ford 2 N tractor. Berks Co 215-582-5761.

For Sale - N.I. corn picker mounted on Farmall super M picker fair tractor good. \$1700.00. Montg Co 215-754-7593.

For Sale - White monarch kitchen range \$225 50 gal electric hot-water heater. \$50 Make offer Berks Co 215-683-7994

For Sale - Parker hole 7 mm Remington Mag. rifle. Bolt action. Luepold 2 x 7 scope Custom stock \$295.00 Montg. Co. 215-723-7756.

For Sale - Steel wheels open centers 16" wide 60" high will fit 34 or 36 inch centers. Cumb. Co 717-423-6442.

For Sale - NI #10 one row corn picker; two Kil Brothers corn wagons, three wooden corn cribs. Chester Co. 215-644-3535.

For Sale - 1963 Ford Galaxie 500 4 door good running cond. Current inspection garage kept. Montg. Co. 215-723-3582.

For Sale - Two cutter sleighs \$235.00 each Bucks Co. 215-297-5422.

Wanted - Better Built 1500 gal. vacuum spreader must be in very good cond. 215-445-4649.

For Sale - Hess' Sweet bologna \$2.00 per lb. Isaac e. Fisher, Box 328-A RD#1, Salem Rd., Kirkwood, Pa. 17536.

For Sale - 7 Bred Jersey Heifers due 2-4 months All by well known sires Good size and cond N.C County 302-378-8454.

For Sale - Bantam chickens, alive, 10 for \$10.00 - Trenton, NJ 609-259-2802

For Sale - Approx. 1000 Tobacco lathes 717-768-3373 after 7:00 p.m.

For Sale - geese and black walnuts. Jacob L. Miller, Mill Creek School Rd., Bird in Hand, Pa. 17505.

For Sale - New NI No 8 manure spreader for 3 horses. Fairbank platform scale in good shape 717-354-0616.

Wanted - Two tires 16-9-24 loader - dozer in good cond. 301-257-9250 leave message.

For Sale - Well bred registered standard bred horses: noble Victory 10 yr. mare, 2 yr. gelding, 3 yr. filly. Cecil Co. 301-398-2263.

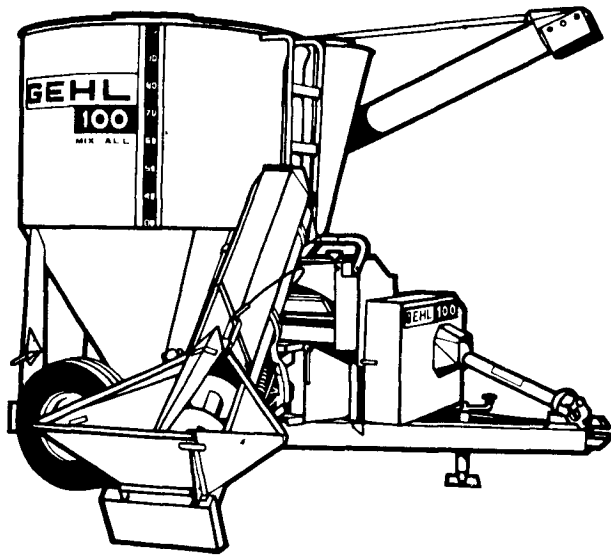
For Sale - 1956 General Motors farm grain truck. 14' dump. Running cond. Tires. Lebanon Co \$800/offer. 717-865-4329 or 865-6220.

Wanted - Male swan, call 717-755-1745.

MINI LOP RABBITS with papers \$25.00. Very Loveable pets. NZW Rabbits with papers, \$10.00. Cecil Co., Md 301-885-2134.

For Sale - Outside calf hutches, \$75 each, David B. Stoltzfus, Rd 2, Box 282B, Nottingham, PA, take Brown Rd at Little Britian, second road right

Free gift if you buy now!



Buy a new Mix-All now and select a free gift from Gehl — Panasonic Microwave Oven — GE 13" Color TV — Total Gym exercise system by West Bend. Plus you can delay final payment until Feb. 1, 1985 if you qualify. But don't wait. This is a limited time offer. See us for details.



Skid Steer Loaders Have Interest Free Waiver Until February 1, 1985
Hay and Forage Equipment Have Interest Free Waiver Until May 1, 1985
Ask Your Dealer About Rebates Instead Of Delayed Payment

PEOPLE'S SALES & SERVICE
Oakland Mills, PA
717-463-2735

A. L. HERR & BRO.
Quarryville, PA
717-786-3521

CLAIR J. MYERS
Lake Road R1
Thomasville, PA
717-259-0453

ARNETT'S GARAGE
Rt. 9 Box 125
Hagerstown, MD
301-733-0515

R.E. SMELTZER EQUIPMENT CO.
RD 2, Box 2
Centre Hall, PA
814-364-1419

J & M MACHINERY
Greensburg, PA
412-668-2276

BENNETT MACHINE CO.
1601 S. Dupont Blvd.
Milford, DE
302-422-4837

NICHOLS FARM EQUIPMENT
Bloomsburg, PA
717-784-7731

STOFFER BROS. INC.
Chambersburg, PA
717-263-8424

GEO. W. KINSMAN, INC.
516 Main Street
Honesdale, PA
717-253-3440

LEBANON VALLEY IMPLEMENT CO., INC.
Richland, PA
717-866-7518

DAYTON EQUIPMENT COMPANY
Dayton, PA
412-783-6990

UMBERGER'S OF FONTANA
Rt. 4 Lebanon, PA (Fontana)
717-867-5161

ECKROTH BROS. FARM EQUIPMENT
RT 2 Box 24A
New Ringgold, PA
717-943-2131

MILLER EQUIPMENT CO.
RD 1
Bechtelsville, PA
215-845-2911

ELDER SALES & SERVICE, INC.

RT 1 Box 619
Stoneboro, PA
412-376-3390
412-376-3740

BINKLEY & HURST BROS.

133 Rothsville
Station Road
Lititz, PA
717-626-4705

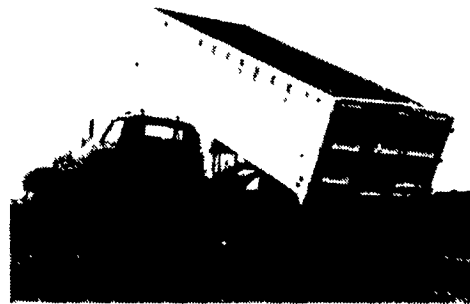
PETERMAN FARM EQUIPMENT, INC.
225 York Rd
Carlisle, PA
717-249-5338

HINES EQUIPMENT
Cresson, PA
814-886-4183
Bellwood
814-742-8171

HEWEY WELDING

Box 2312, Rd 4, Lebanon, PA 17042
717-867-5222

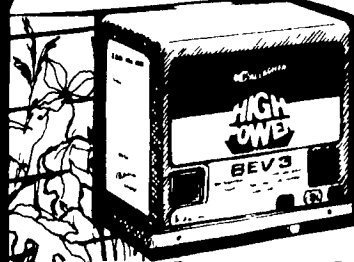
ALUMINUM GRAIN BODIES & ALUMINUM REPAIRS



These ultra-light bodies are designed for strength through engineering, not strength with bulk. For example a 16' grain body with tailgate and 48" sides weighs only 1490 lbs. complete. We'll build you any length or any side height up to 60".

Also available

- ★ Double swinging hay hauling tailgate
- ★ Barn door type tailgate
- ★ Slide out cattle chutes
- ★ Diamond Flooring
- ★ Pull out panel tailgates
- ★ Any size grain chute



Finally, a charger that keeps delivering full power to weed-loaded fencing

When fence power weakens or dies, your animals quickly learn it's time to escape. And rain-soaked weeds are a prime source of power loss. But when you put a Gallagher High Power Energizer on your fencing, you take the worry out of grazing management. These low-impedance energizers from New Zealand deliver an extremely

short, high-energy pulse—your fence line maintains stock-holding power even when it's half-buried in wet grass. Find out more about our Gallagher Energizers—our plug-in, battery and solar models—and why they're up to 20 times more effective than domestic chargers. You must be satisfied or full refund within 30 days.



Call TOLL-FREE: 1-800-832-9482 (In Vt call 889-3737) Or mail this coupon

Power Fence Systems

Brookside Industries, Inc. • Tunbridge, Vermont 05077

Send full facts on Gallagher New Zealand Energizers and your complete Gallagher/Springtight Permanent and Portable Fence Systems plus the name of your dealer nearest me

I'm interested in becoming a Gallagher/Springtight Power Fence System dealer

Name _____

Address _____

Zip _____